

# Manometers (481P Series)

## Applications

- Measurement standard
- Calibration standard
- Low pressure measuring
- Vacuum or compound measuring

## Pressure Limitation

- Steady : Full scale value
- Fluctuating : Full scale value



## Special Notes

1. Other Process Connections are available as option.

## Standard Specification Overview

### Scale Ranges

- Code G : 0 ~ ±100 to 0 ~ ±600 kPa
- Code I : 0 ~ 30, 60 & 150 kPa
- Code S : 0 ~ 500, 0 ~ 1000 & 0 ~ 1500 kPa, -760 kPa ~ 0

### Process Connection

- 8mm tube connection

### Material

- Base Plate : 304 SS
- Connection : 304 SS
- Tube : Glass
- Dial Plate : White Aluminum with Black Graduations
- Liquid Filled : Water (H<sub>2</sub>O)

### Optional Extra

- Test Report by Manufacturer
- Test Report by KOLAS (ILAC-MRA)

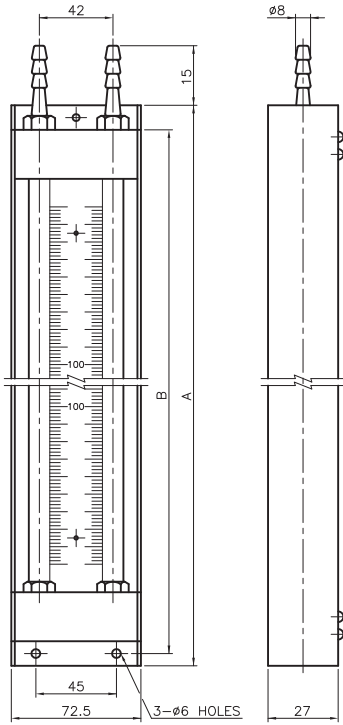
## Ordering Information for 481P Series

● = Standard Products    ▲ = Available    NA = Not Available

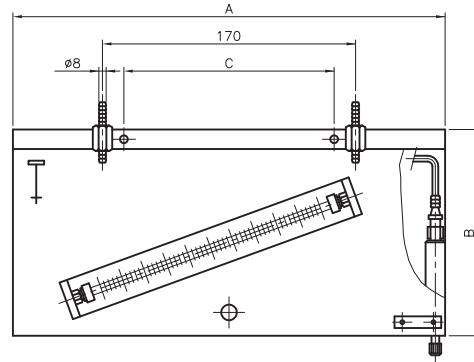
Model	Descriptions	Case & Ring	Wetted Parts		
481P	Manometers	304 SS	304 SS		
<b>Code</b>	<b>Dial Size</b>				
0	Unused				
<b>Code</b>	<b>Mounting Type</b>				<b>481P</b>
G	"U" Type				●
I	Inclined Type				●
S	Self Standing Type				●
<b>Code</b>	<b>Process Connection Style</b>				
T	Tube Connection				
<b>Code</b>	<b>Tube Size</b>		<b>G</b>	<b>I</b>	<b>S</b>
R	8mm		●	●	●
<b>Code</b>	<b>Pressure Range</b> (mm of water)		<b>G</b>	<b>I</b>	<b>S</b>
401	760 ~ 0		NA	NA	●
414	0 ~ 30		NA	●	NA
415	0 ~ 60		NA	●	NA
417	0 ~ 150		NA	●	NA
418	0 ~ 500		NA	NA	●
419	0 ~ 1000		NA	NA	●
420	0 ~ 1500		NA	NA	●
452	-600 ~ 600		●	NA	NA
453	-500 ~ 500		●	NA	NA
454	-450 ~ 450		●	NA	NA
455	-400 ~ 400		●	NA	NA
456	-300 ~ 300		●	NA	NA
457	-250 ~ 250		●	NA	NA
458	-150 ~ 150		●	NA	NA
459	-100 ~ 100		●	NA	NA
* kPa (SI Unit) is the standard dial scale but others are available upon request.					
<b>Code</b>	<b>Rate</b>		<b>G</b>	<b>I</b>	<b>S</b>
01	1 : 1		●	NA	●
02	1 : 2		NA	●	NA
05	1 : 5		NA	●	NA
10	1 : 10		NA	●	NA
<b>Code</b>	<b>Applicable Accessory Options</b>				
J0	Not Apply				
<b>Code</b>	<b>Options</b>		<b>G</b>	<b>I</b>	<b>S</b>
Test Reports					
T1	Test Report by Manufacturer		▲	▲	▲
T2	Test Report by KOLAS (ILAC-MRA)		▲	▲	▲
Sample Model Selection : 481P0GTR40101J0T1					
* The standard specification and price are subject to change without prior notice.					

# Manometers (481P Series)

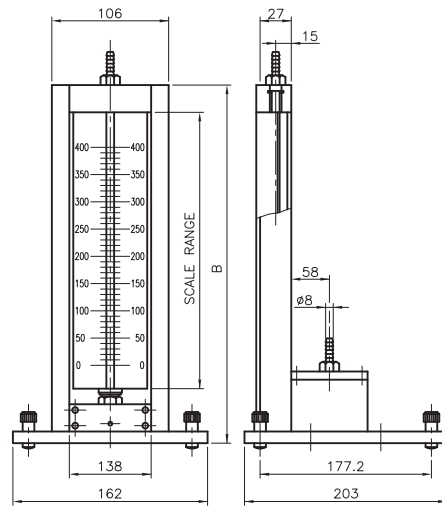
TYPE-G



TYPE-I



TYPE-S



Code	INCLINED	RANGE	A	B
	RATES			
G	1 : 1	± 50	235	220
		± 100	340	325
		± 150	440	425
		± 250	645	630
		± 300	750	735
		± 400	955	940
		± 450	1060	1045
		± 500	1160	1145
		± 600	1370	1355

Code	INCLINED	RANGE	A	B	C
	RATES				
I	1 : 2	± 30	290	300	230
		± 60	350	300	280
		± 150	600	400	400
	1 : 5	± 30	500	300	400
		± 60	570	350	440
		± 150	1100	400	800
	1 : 10	± 30	570	300	440
		± 60	860	300	600
		± 100	1300	400	1150

Code	INCLINED	RANGE	A
	RATES		
S	1 : 1	- 760 ~ 0	978
		0 ~ 500	718
		0 ~ 1000	1208
		0 ~ 1500	1708

**HISCO** HISCO, INC.

32, Seonyu-ro 43-gil, Yeongdeungpo-gu, Seoul, Korea  
T : 82-2-2677-6046 F : 82-2-2672-1873 <http://www.hiscoi.com>