

# Draft Gauges (431P Series)

## Applications

- Low pressure measuring
- Vacuum or compound measuring
- Suitable for panel mounting
- Furnace or air and gas pressure in tank

## Pressure Limitation

- Steady : 3/4 of full scale value  
(recommendation : 25% to 75% of full scale)
- Fluctuating : 2/3 of full scale value  
(recommendation : lower 50% of full scale)
- Short time : full scale value

## Operating Temperature

- Ambient : -20 ~ 65°C
- Media (Fluid) : -20 ~ 80°C



## Special Notes

1. Other Process Connections are available as option.

## Standard Specification Overview

### Size

- 192 X 96mm (Horizontal or Vertical)

### Reference Accuracy

- $\pm 2.0\%$  of Full Scale

### Scale Ranges

- See the ordering information table.

### Process Connection

- PT ("R" in ISO) 3/8", 1/2"

### Material

- Case : Black Finished Steel
- Ring (Cover) : Black Finished Steel
- Window : Acrylic
- Pointer : Aluminum Alloy, Black Painted
- Connection : 316 SS
- Element (Chamber) : Brass
- Movement : Brass
- Dial Plate : White Aluminum with Black Graduations

### Degree of Protection

- IP 54

### Optional Extra

- Test Report by Manufacturer
- Test Report by KOLAS (ILAC-MRA)

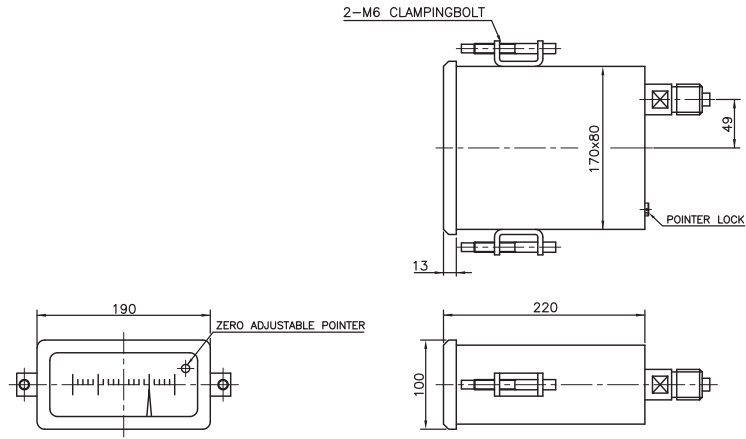
## Ordering Information for 431P Series

● = Standard Products   ▲ = Available   NA = Not Available

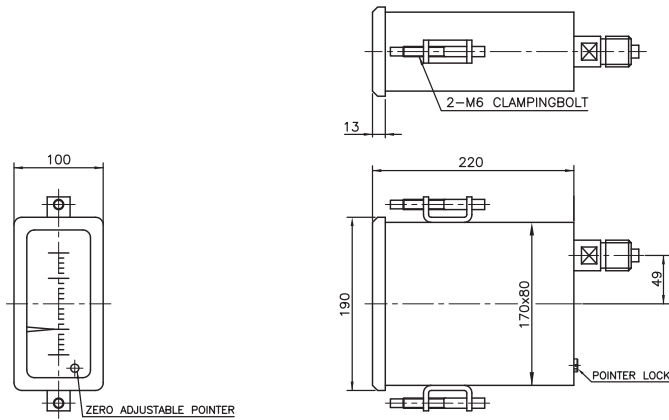
Model	Description	Case & Ring	Wetted Parts
431P	Draft Gauges	Black Steel	316 SS
<b>Code</b>	<b>Dial Size</b>	<b>Accuracy</b>	
S2	Square (192 X 96mm)	± 2.0% of FS	
<b>Code</b>	<b>Mounting Type</b>		<b>S2</b>
H	Horizontal (Lower Back Panel Mounting)		●
V	Vertical (Lower Back Panel Mounting)		●
<b>Code</b>	<b>Process Connection Style</b>		<b>S2</b>
2	PT ("R" in ISO Standard)		●
3	PF ("G" in ISO Standard)		●
4	NPT		●
<b>Code</b>	<b>Process Connection Size</b>		<b>S2</b>
D	3/8"		●
F	1/2"		▲
<b>Code</b>	<b>Pressure Range</b>		<b>S2</b>
039	-10 kPa ~ 0		●
041	-5 kPa ~ 0		●
043	-3 kPa ~ 0		●
045	-2 kPa ~ 0		●
056	-5 ~ 5 kPa		●
058	-3 ~ 3 kPa		●
060	-2 ~ 2 kPa		●
062	-1 ~ 1 kPa		●
086	0 ~ 2 kPa		●
087	0 ~ 3 kPa		●
089	0 ~ 5 kPa		●
092	0 ~ 10 kPa		●
* kPa [SI Unit] is the standard dial scale but others are available upon request.			
<b>Code</b>	<b>Applicable Accessory Options</b>		
J0	Not Apply		
J1	Adapters		
<b>Code</b>	<b>Options</b>		<b>S2</b>
Test Reports			
T1	Test Report by Manufacturer		▲
T2	Test Report by KOLAS (ILAC-MRA)		▲
Sample Model Selection : 481P0GTR40101J0T1			
* The standard specification and price are subject to change without prior notice.			

# Draft Gauges (431P Series)

## TYPE-H



## TYPE-V



[UNIT : mm]

Code	Dial Size	(Available Type)
S2	Square (192X96)	H,V

**HISCO** HISCO, INC.

32, Seonyu-ro 43-gil, Yeongdeungpo-gu, Seoul, Korea  
 T : 82-2-2677-6046 F : 82-2-2672-1873 <http://www.hiscoi.com>