

Solid Front Pressure Gauges (383P Series)

Applications

- Safety relief applications
- Safety design consists of a solid wall between pressure sensing element and the window
- To protecting users from fluid and particles in the event of failure, the back of the gauges are designed to blow out and release the pressure inside the case.
- Power generation
- Refining & marine industry

Pressure Limitation

- Steady : 3/4 of full scale value
(recommendation : 25% to 75% of full scale)
- Fluctuating : 2/3 of full scale value
(recommendation : lower 50% of full scale)
- Short Time : 130% of full scale value (over range protection)

Operating Temperature

- Ambient : -40 ~ 65°C
-20 ~ 65°C (Glycerine)
-40 ~ 65°C (Silicone)
- Media (Fluid) : Max. 100°C (Glycerine)
Max. 100°C (Silicone)



Standard Specification Overview

Dial Size

- 100mm (4"), 160mm(6.5")

Reference Accuracy

- 1.0% of Full Scale

Scale Ranges

- Vacuum, Compound & 0 ~ 100 MPa
- * For more information, see the ordering information table.

Process Connection

- PT 3/8", NPT 1/2"

Ring Type

- Bayonet

Material

- Case : 304 SS
- Ring (Cover) : 304 SS
- Window : Laminated Glass
- Pointer : Aluminum Alloy, Black Painted
- Connection (Plug) : 316 SS
- Element (Bourdon Tube) : 316 SS
- Movement : Stainless steel
- Dial Plate : White Aluminum with Black Graduations

Degree of Protection

- IP 67

Optional Extra

- Test Report by Manufacturer
- Test Report by KOLAS (ILAC-MRA)
- High Accuracy ($\pm 0.5\%$ of F.S.)
- Liquid Filled (Glycerine)
- Liquid Filled (Silicone)
- 316 SS Case & Cover (Ring)
- Monel (Connection & Element)

Ordering Information for 383P Series

● = Standard Products ▲ = Available NA = Not Available

Model	Description	Case & Ring	Wetted Parts
383P	Solid Front Pressure Gauges	304 SS	316 SS
Code	Dial Size	Accuracy	383P
40	100mm (4")	± 1.0% of F.S.	●
65	160mm (6.5")	± 1.0% of F.S.	●
Code	Mounting Type		All
A	Bottom Connection without Mounting Flange		●
Code	Process Connection Style		All
2	PT ("R" in ISO Standard)		●
3	PF ("G" in ISO Standard)		●
4	NPT		●
X	Others		☞
Code	Process Connection Size		All
D	3/8"		●
F	1/2"		●
O	Others		☞
Code	Pressure Range		All
001	-0.1 ~ 0 MPa		●
002	-0.1 ~ 0.1 MPa		●
003	-0.1 ~ 0.2 MPa		●
004	-0.1 ~ 0.3 MPa		●
005	-0.1 ~ 0.4 MPa		●
006	-0.1 ~ 0.6 MPa		●
007	-0.1 ~ 1.0 MPa		●
008	-0.1 ~ 1.5 MPa		●
009	-0.1 ~ 2.0 MPa		●
111	0 ~ 0.05 MPa (Available only for 100mm)		▲
112	0 ~ 0.1 MPa		●
113	0 ~ 0.2 MPa		●
114	0 ~ 0.3 MPa		●
115	0 ~ 0.4 MPa		●
116	0 ~ 0.6 MPa		●
118	0 ~ 1 MPa		●
119	0 ~ 1.5 MPa		●
120	0 ~ 2 MPa		●
121	0 ~ 2.5 MPa		●
122	0 ~ 3.5 MPa		●
124	0 ~ 5 MPa		●
126	0 ~ 7 MPa		●

127	0 ~ 10 MPa	●
128	0 ~ 15 MPa	●
129	0 ~ 25 MPa	●
130	0 ~ 35 MPa	●
132	0 ~ 50 MPa	●
134	0 ~ 70 MPa	●
135	0 ~ 100 MPa	●

* MPa (SI Unit) is the standard dial scale but others are available upon request.

Code	Applicable Accessory Options
J0	Not Apply
J1	Adapter
J2	Gauge Unions
J3	Syphon Tubes
J4	Pulsation Dampeners
J5	Pressure Snubber
J7	Gauge Savers (Gauge Protectors)
J8	Safety Kloser
J9	Manifold Valves

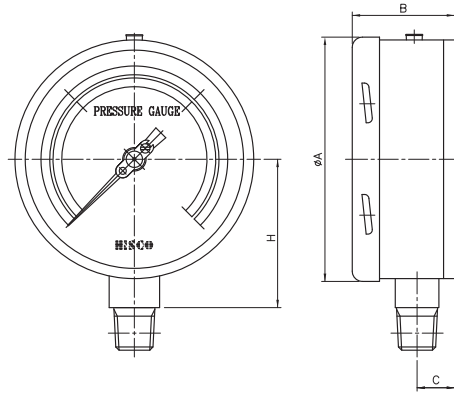
Code	Options	All
Test Reports		
T1	Test Report by Manufacturer	▲
T2	Test Report by KOLAS (ILAC-MRA)	▲
Other Option		
F2	Liquid Filled (Glycerine)	▲
F4	Liquid Filled (Silicone)	▲
S6	316 SS Case & Cover	▲
S8	Monel (Connection & Element)	▲

Sample Model Selection : 382P45A4F112J0

* The standard specification and price are subject to change without prior notice.

Solid Front Pressure Gauges (383P Series)

TYPE-A



(UNIT : mm)

Code	Dial Size	(Available Type)	A	B	C	H
40	ø100	A	101	57.5	25	70
65	ø160	A	161	70	35	98

HISCO HISCO, INC.

32, Seonyu-ro 43-gil, Yeongdeungpo-gu, Seoul, Korea
 T : 82-2-2677-6046 F : 82-2-2672-1873 <http://www.hiscoi.com>