

Phenolic Solid Front Pressure Gauges (381P Series)

Applications

- Chemical & petrochemical
- Safety design consists of a solid wall between pressure sensing element and the window
- To protecting users from fluid and particles in the event of failure, the back of the gauges are designed to blow out and release the pressure inside the case.
- Power generation
- Refining & marine industry

Pressure Limitation

- Steady : 3/4 of full scale value
(recommendation : 25% to 75% of full scale)
- Fluctuating : 2/3 of full scale value
(recommendation : lower 50% of full scale)
- Short Time : 130% of full scale value (over range protection)

Operating Temperature

- Ambient : -40 ~ 65°C
-20 ~ 65°C (Glycerine)
-40 ~ 65°C (Silicone)
- Media (Fluid) : Max. 100°C (Glycerine)
Max. 100°C (Silicone)



Standard Specification Overview

Dial Size

- 125mm (5")

Reference Accuracy

- $\pm 1.0\%$ of Full Scale

Scale Ranges

- Vacuum, Compound & 0 ~ 100 MPa
- * For more information, see the ordering information table.

Process Connection

- PT 3/8", NPT 1/2"

Ring Type

- Screwed

Material

- Case : Phenol
- Ring (Cover) : Phenol
- Window : Laminated Glass
- Pointer : Aluminum Alloy, Black Painted
- Connection (Plug) : 316 SS
- Element (Bourdon Tube) : 316 SS
- Movement : Stainless steel
- Dial Plate : White Aluminum with Black Graduations

Degree of Protection

- IP 67

Optional Extra

- Test Report by Manufacturer
- Test Report by KOLAS (ILAC-MRA)
- High Accuracy ($\pm 0.5\%$ of F.S.)
- Calibration
- Liquid Filled (Glycerine)
- Liquid Filled (Silicone)
- Monel (Connection & Element)

Ordering Information for 381P Series

● = Standard Products ▲ = Available NA = Not Available

Model	Description	Case & Ring	Wetted Parts
381P	Solid Front Pressure Gauges	Phenol	316 SS
Code	Dial Size	Accuracy	381P
45	125mm [5"]	± 1.0% of F.S.	●
Code	Mounting Type		45
B	Bottom Connection with Back Mounting Flange (Double as 'type A')		●
J	Lower Back Connection with 3-hole Front Mounting Flange		●
Code	Process Connection Style		45
2	PT ("R" in ISO Standard)		●
3	PF ("G" in ISO Standard)		●
4	NPT		●
X	Others		☞
Code	Process Connection Size		45
D	3/8"		●
F	1/2"		●
O	Others		☞
Code	Pressure Range		45
001	-0.1 ~ 0 MPa		●
002	-0.1 ~ 0.1 MPa		●
003	-0.1 ~ 0.2 MPa		●
004	-0.1 ~ 0.3 MPa		●
005	-0.1 ~ 0.4 MPa		●
006	-0.1 ~ 0.6 MPa		●
007	-0.1 ~ 1.0 MPa		●
008	-0.1 ~ 1.5 MPa		●
009	-0.1 ~ 2.0 MPa		●
111	0 ~ 0.05 MPa		●
112	0 ~ 0.1 MPa		●
113	0 ~ 0.2 MPa		●
114	0 ~ 0.3 MPa		●
115	0 ~ 0.4 MPa		●
116	0 ~ 0.6 MPa		●
118	0 ~ 1 MPa		●
119	0 ~ 1.5 MPa		●
120	0 ~ 2 MPa		●
121	0 ~ 2.5 MPa		●
122	0 ~ 3.5 MPa		●
124	0 ~ 5 MPa		●
126	0 ~ 7 MPa		●

127	0 ~ 10 MPa	●
128	0 ~ 15 MPa	●
129	0 ~ 25 MPa	●
130	0 ~ 35 MPa	●
132	0 ~ 50 MPa	●
134	0 ~ 70 MPa	●
135	0 ~ 100 MPa	●

* MPa (SI Unit) is the standard dial scale but others are available upon request.

Code	Applicable Accessory Options
J0	Not Apply
J1	Adapter
J2	Gauge Unions
J3	Syphon Tubes
J4	Pulsation Dampeners
J5	Pressure Snubber
J7	Gauge Savers (Gauge Protectors)
J8	Safety Kloser
J9	Manifold Valves

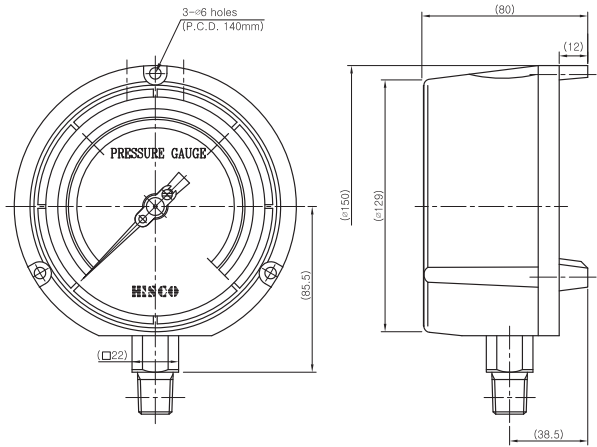
Code	Options	45
Test Reports		
T1	Test Report by Manufacturer	▲
T2	Test Report by KOLAS (ILAC-MRA)	▲
Other Option		
C2	Supersonic Cleansing Service	▲
F2	Liquid Filled (Glycerine)	▲
F4	Liquid Filled (Silicone)	▲
S8	Monel (Connection & Element)	▲

Sample Model Selection : 382P45A4F112J0

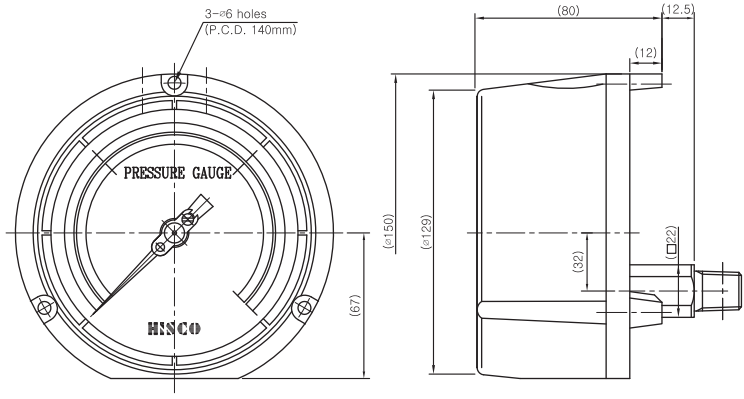
* The standard specification and price are subject to change without prior notice.

Phenolic Solid Front Pressure Gauges (381P Series)

TYPE-B



TYPE-J



[UNIT : mm]

Code	Dial Size	(Available Type)
45	ø125	B,J

HISCO HISCO, INC.

32, Seonyu-ro 43-gil, Yeongdeungpo-gu, Seoul, Korea
 T : 82-2-2677-6046 F : 82-2-2672-1873 <http://www.hiscoi.com>