

Duplex Pressure Gauges (371P & 372P Series)

Applications

- Measuring independent two pressure in one
- Measuring the differential pressure
- Chemical & petrochemical
- Power generation

Pressure Limitation

- Steady : 3/4 of full scale value
(recommendation : 25% to 75% of full scale)
- Fluctuating : 2/3 of full scale value
(recommendation : lower 50% of full scale)
- Short Time : full scale value

Operating Temperature

- Ambient : -20 ~ 65°C
- Media (Fluid) : -20 ~ 80°C (371P)
-20 ~ 200°C (372P)



Standard Specification Overview

Dial Size

- 100mm (4")

Reference Accuracy

- $\pm 1.5\%$ of Full Scale

Scale Ranges

- 100mm (4") : 0 ~ 0.4 to 0 ~ 3.5 MPa
- * For more information, see the ordering information table.

Process Connection

- PT ("R" in ISO) 3/8" or PF ("G" in ISO) 3/8"

Material

- Case : Black Finished Aluminium
- Ring (Cover) : Black Finished Aluminium
- Window : Glass
- Pointer : Aluminum Alloy, Black Painted
- Connection : Brass (371P), 316 SS (372P)
- Element (Bourdon Tube) : 316 SS
- Movement : Brass
- Dial : White Aluminum with Black Graduations

Ring Type

- Screw

Optional Extra

- Test Report by Manufacturer
- Test Report by KOLAS (ILAC-MRA)

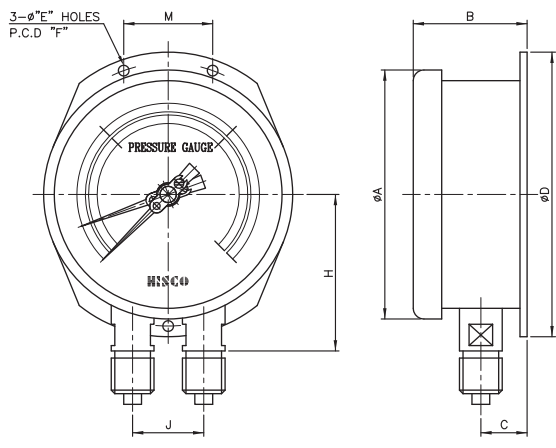
Ordering Information for 371P & 372P Series

● = Standard Products ▲ = Available NA = Not Available

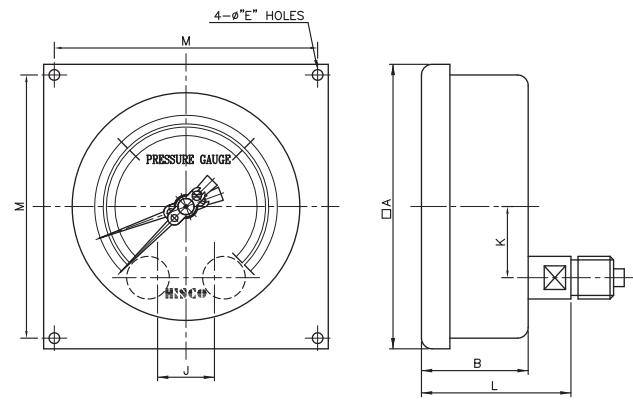
Model	Description	Case & Ring	Wetted Parts
371P	Duplex Pressure Gauges	Black Finished Aluminium	Brass
372P	Duplex Pressure Gauges	Black Finished Aluminium	316 SS
Code	Dial Size	Accuracy	All
40	100mm (4")	± 1.5% of F.S.	●
Code	Mounting Type		40
B	Bottom Connection with Back Mounting Flange		●
L	Lower Back Connection without Mounting Flange		●
Code	Process Connection Style		40
2	PT ("R" in ISO Standard)		▲
3	PF ("G" in ISO Standard)		●
Code	Process Connection Size		40
D	3/8"		●
Code	Pressure Range		40
115	0 ~ 0.4 MPa		●
116	0 ~ 0.6 MPa		●
118	0 ~ 1 MPa		●
119	0 ~ 1.5 MPa		●
120	0 ~ 2 MPa		●
121	0 ~ 2.5 MPa		●
122	0 ~ 3.5 MPa		●
* MPa (SI Unit) is the standard dial scale but others are available upon request.			
Code	Applicable Accessory Options		
J0	Not Apply		
J1	Adapter		
J3	Syphon Tubes		
J4	Pulsation Dampeners		
J5	Pressure Snubber		
J7	Gauge Savers (Gauge Protectors)		
J8	Safety Kloser		
J9	Manifold Valves		
Code	Options		40
Test Reports			
T1	Test Report by Manufacturer		▲
T2	Test Report by KOLAS (ILAC-MRA)		▲
Sample Model Selection : 371P40B2D118J0			
* The standard specification and price are subject to change without prior notice.			

Duplex Pressure Gauges (371P & 372P Series)

TYPE-B



TYPE-L



(UNIT : mm)

Code	Dial Size	(Available Type)	A	B	C	D	E	F	H	L	K	J	M
40	ø100	B	124	73	20	135	5.5	90	75	77	30	36	51
		L	111	86	20	135	5.5	90	75	120	30	40	90

HISCO HISCO, INC.

32, Seonyu-ro 43-gil, Yeongdeungpo-gu, Seoul, Korea
 T : 82-2-2677-6046 F : 82-2-2672-1873 <http://www.hiscoi.com>