

Industrial Process Large Size Pressure Gauges (309P Series)

Applications

- Corrosion resistance
- Chemical & petrochemical
- Power generation
- Pumps, compressors and regulators
- Refining & marine industry

Pressure Limitation

- Steady : 3/4 of full scale value
(recommendation : 25% to 75% of full scale)
- Fluctuating : 2/3 of full scale value
(recommendation : lower 50% of full scale)
- Short time : full scale value

Operating Temperature

- Ambient : -20 ~ 65°C
- Media (Fluid) : -20 ~ 80°C



Special Notes

1. Other Process Connections are available as option.

Standard Specification Overview

Dial Size

- 200mm (8")

Reference Accuracy

- $\pm 1.0\%$ of Full Scale

Scale Ranges

- Vacuum, Compound & 0 ~ 50 MPa
- * For more information, see the ordering information table.

Process Connection

- PT ("R" in ISO) 1/2", NPT 1/2"
- * No throttling screw inserted in the pressure port.

Degree of Protection

- IP 54

Material

- Case : Gray Finished Aluminum Casting
- Ring (Cover) : Gray Finished Aluminum Casting
- Window : Glass
- Pointer : Aluminum Alloy, Black Finished
- Connection : 316 SS
- Element (Bourdon Tube) : 316 SS
- Movement : Stainless steel
- Dial Plate : White Aluminum with Black Graduations

Ring Type

- Screwed

Optional Extra

- Test Report by Manufacturer
- Test Report by KOLAS (ILAC-MRA)

Ordering Information for 309P Series

● = Standard Products ▲ = Available NA = Not Available

Model	Description	Case & Ring	Wetted Parts
309P	Industrial Process Large Size Pressure Gauges	Aluminum Casting	316 SS
Code	Dial Size	Accuracy	309P
80	200mm (8")	± 1.0% of F.S.	●
Code	Mounting Type		80
B	Bottom Connection with Back Mounting Flange		●
J	Lower Back Connection with 3-hole Front Mounting Flange		●
Code	Process Connection Style		80
2	PT ("R" in ISO Standard)		●
3	PF ("G" in ISO Standard)		▲
4	NPT		▲
X	Others		☞
Code	Process Connection Size		80
D	3/8"		▲
F	1/2"		●
Code	Pressure Range		80
001	-0.1 ~ 0 MPa		●
002	-0.1 ~ 0.1 MPa		●
003	-0.1 ~ 0.2 MPa		●
004	-0.1 ~ 0.3 MPa		●
005	-0.1 ~ 0.4 MPa		●
006	-0.1 ~ 0.6 MPa		●
007	-0.1 ~ 1.0 MPa		●
008	-0.1 ~ 1.5 MPa		●
009	-0.1 ~ 2.0 MPa		●
112	0 ~ 0.1 MPa		●
113	0 ~ 0.2 MPa		●
114	0 ~ 0.3 MPa		●
115	0 ~ 0.4 MPa		●
116	0 ~ 0.6 MPa		●
118	0 ~ 1 MPa		●
119	0 ~ 1.5 MPa		●
120	0 ~ 2 MPa		●
121	0 ~ 2.5 MPa		●
122	0 ~ 3.5 MPa		●
124	0 ~ 5 MPa		●
126	0 ~ 7 MPa		●
127	0 ~ 10 MPa		●
128	0 ~ 15 MPa		●

129	0 ~ 25 MPa	●
130	0 ~ 35 MPa	●
132	0 ~ 50 MPa	●

*MPa (SI Unit) is the standard dial scale but others are available upon request.

Code	Applicable Accessory Options
J0	Not Apply
J1	Adapter
J2	Gauge Unions
J3	Syphon Tubes
J4	Pulsation Dampeners
J5	Pressure Snubber
J7	Gauge Savers (Gauge Protectors)
J8	Safety Kloser
J9	Manifold Valves

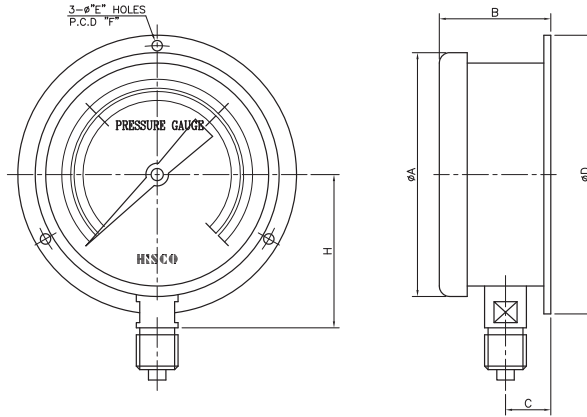
Code	Options	80
Test Reports		
T1	Test Report by Manufacturer	●
T2	Test Report by KOLAS (ILAC-MRA)	●

Sample Model Selection : 309P80B2F128J0T1

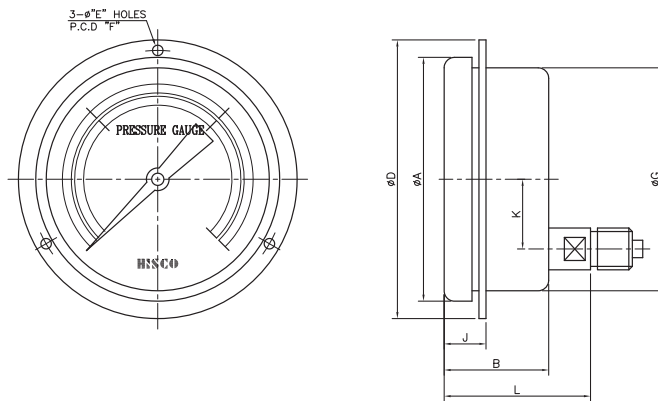
* The standard specification and price are subject to change without prior notice.

Industrial Process Large Size Pressure Gauges (309P Series)

TYPE-B



TYPE-J



(UNIT : mm)

Code	Dial Size	(Available Type)	A	B	C	D	E	F	G	H	J	L	K
80	ø200	B,J	212	35.5	15	232	6.2	220	204	140	31.5	51.5	38

HISCO HISCO, INC.

32, Seonyu-ro 43-gil, Yeongdeungpo-gu, Seoul, Korea
 T : 82-2-2677-6046 F : 82-2-2672-1873 <http://www.hiscoi.com>