

**Main Specifications**

- ▼Size  
4"
- ▼Installation type  
Bottom mount (A)
- ▼Window  
PC / Glass
- ▼Thread size  
Material: copper alloy  
3/8" PT  
1/4" PT  
Other thread specs are available upon request
- ▼Pressure range  
0...2 ~ 28bar
- ▼Applicable fluid  
Liquid and gas that compatible with copper alloy
- ▼Ambient temperature  
-40°C ~ +60°C
- ▼Fluid temperature  
+60°C
- ▼Temperature error  
Every 12°C  
max. error±0.3% F.S
- ▼Protection level  
IP43

**Other Specifications**

- ▼Ring  
Steel with black enamel
- ▼Ring mount  
Screw fixed
- ▼Case  
Steel with black enamel
- ▼Pointer  
Aluminum with black enamel
- ▼Dial face  
Adjustable screw on dial face  
Pressure unit, scale, and color can be customized upon request
- ▼Measuring elements  
Bourdon tube  
Material: copper alloy
- ▼Movement  
Copper alloy
- ▼Accuracy  
±2.5% (Option: ±1.6%)
- ▼Operating pressure  
Stabilization 3/4\* full scale  
Fluctuation 2/3\* full scale  
Impulse 1\* full scale

**4" Black Steel Case Pressure Gauge (Zero Adjustment Type)**

**Model: ZPG-4**

**Introduction**

ZPG black steel case pressure gauge with zero adjustment function is applicable to general engineering or environment required field pointer calibration.

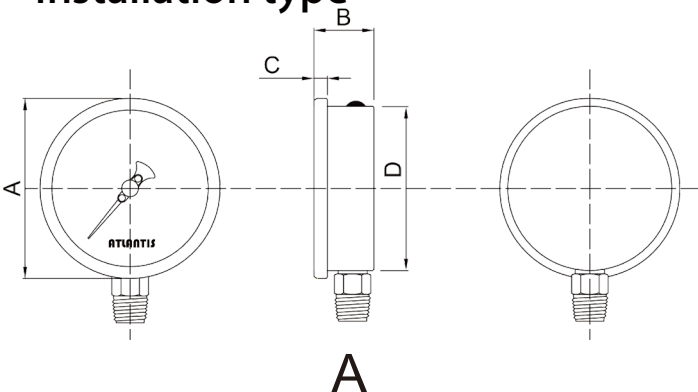


Due to the variety of customization, the picture is only for reference, please confirm the actual item with our sales. (If there is any change on specification, please take the latest version as standard.)

**Features**

- OEM service
- Special 4" black steel case pressure gauge designed for engineering application
- Adjustable screw for field pointer calibration / zero adjustment

**Installation type**



## How to order

ZPG-4 4" Black Steel Case Pressure Gauge (Zero Adjustment Type)										
Std.	Spec.	Code	Item	Code	Item	Code	Item	Code	Item	
B	Connection material	B	Copper alloy	O	Others	–	–	–	–	
B	Bourdon tube material	B	Copper alloy	O	Others	–	–	–	–	
2	Thread size	2	1/4"	3	3/8"	O	Others	–	–	
P	Thread type	P	PT	O	Others	–	–	–	–	
Custom	Pressure range	0...2 to 28bar Pressure unit (psi, bar, kPa, kg/cm2, MPa, inHg, mmHg, cmHg, etc...) & single / dual scale can be customized upon request								
B	Accuracy	A	±1.6%	B	±2.5%	–	–	–	–	
/D	Other requests	/A	Third party notarized documents			/B	Inspection report			
		/C	Tag			/D	Customized dial face (scale, color, unit, etc.)			
		/E	Adjustable pointer			/F	Epoxy coating			
		/G	Chrome-plated thread			–	–			

Order example: ZPG-4 - B - B - 2 - P - (0...10bar) - B + /D