

Main Specifications **Other Specifications**

▼ **Size**
4" , 6"

▼ **Installation type**
Bottom mount (A) /
Bottom mount with flange (B) /
Back mount
(Eccentric thread) (ADE) /
Back mount with flange
(Eccentric thread) (BDE) /
Back mount with U-clamp
(Eccentric thread) (UDE) /
Back mount with flange
and U-clamp (Eccentric thread)
(UBDE)

▼ **Window**
Safety glass

▼ **Pressure connection**
Material: SS304
Thread size:
1/4" , 3/8" , 1/2"
Thread type:
BSPT, NPT, PF

▼ **Pressure range**
Gauge pressure ▼
0...0.6 to 400bar
Negative pressure ▼
-1...0bar / -76...0cmHg
Compound pressure ▼
-1...0 to 20bar

▼ **Applicable fluid**
Liquid and gas that compatible
with SS304

▼ **Ambient temperature**
-40°C to +60°C

▼ **Fluid temperature**
+120°C

▼ **Temperature error**
Every 12°C
max. error ±0.3% F.S

▼ **Protection level**
IP54 (option: IP65)

▼ **Ring**
Stainless steel

▼ **Ring mount**
Inside bayonet
(Option: Outside bayonet)

▼ **Case**
SS304

▼ **Pointer**
Aluminum with black enamel

▼ **Dial face**
Blue and black scale
Pressure unit, scale, color, etc.,
can be customized upon
request.

▼ **Measuring elements**
Bourdon tube
Material: SS304

▼ **Additional protection**
(option)
Blow out back

▼ **Movement**
Dampened movement
Material: stainless steel

▼ **Accuracy**
±2.5%
(Option: ±1.6%, ±1%, ±0.5%)

▼ **Operating pressure**
Stabilization 3/4* full scale
Fluctuation 2/3* full scale
Impulse 1* full scale

**All Stainless Steel
Shockproof Pressure Gauge
Model: SP-SUS
Introduction**

This pressure gauge uses stainless steel dampened movement with excellent shockproof effect. Applicable for vibration but non-oil environment.



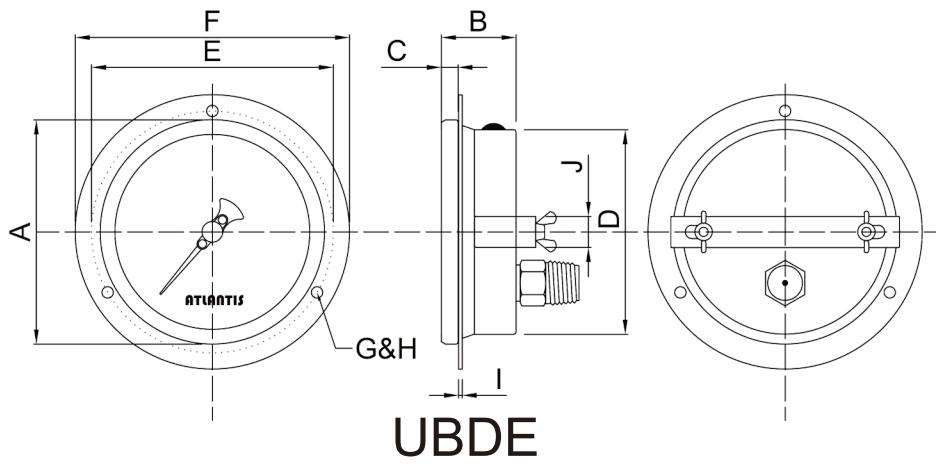
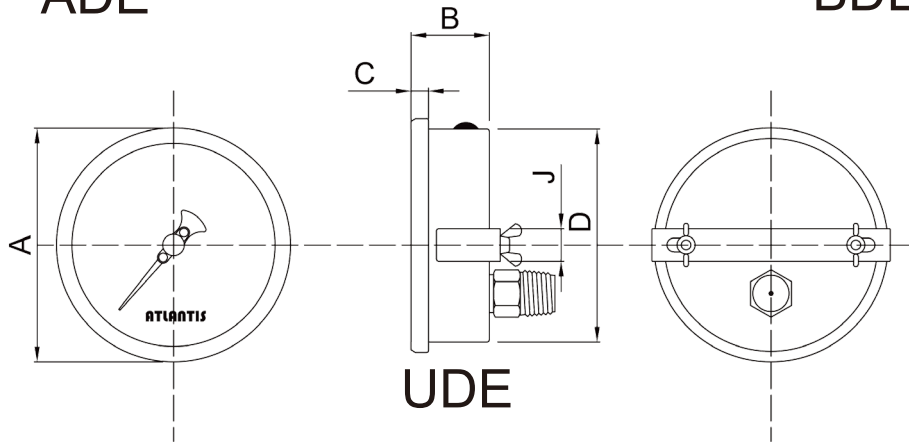
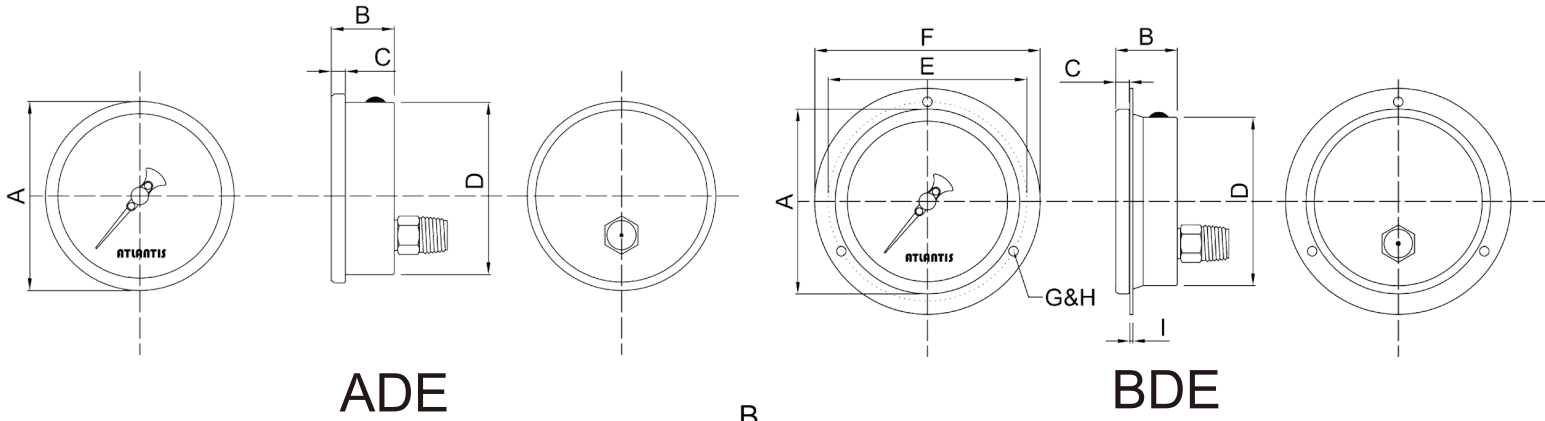
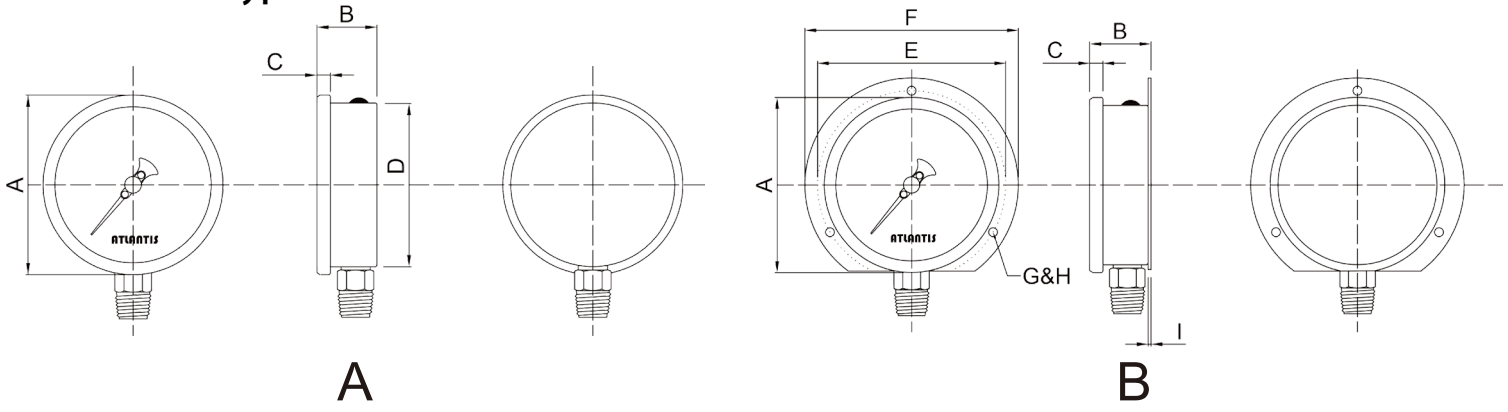
Due to the variety of customization, the picture is only for reference, please confirm the actual item with our sales. (If there is any change on specification, please take the latest version as standard.)

Features

- OEM service
- All stainless steel design
- Dampened movement - specially design for shockproof environment
- Suitable for use no oil environment with shockproof requirement

Installation type	4"	6"
A	●	●
B	●	●
ADE	●	●
BDE	●	●
UDE		●
UBDE		●

Installation type



How to order

SP-SUS All Stainless Steel Shockproof Pressure Gauge										
Std.	Spec.	Code	Item	Code	Item	Code	Item	Code	Item	
04	Size	04	4"	06	6"	-	-	-	-	
A	Installation type	A	Bottom mount	B	Bottom mount with flange	ADE	Back mount (Eccentric thread)	BDE	Back mount with flange (Eccentric thread)	
		UDE	Back mount with U-clamp (Eccentric thread)	UBDE	Back mount with flange and U-clamp (Eccentric thread)	-	-	-	-	
304	Connection material	304	SS 304	316	SS 316	O	Others	-	-	
304	Bourdon tube material	304	SS 304	316	SS 316	O	Others	-	-	
2	Thread size	2	1/4"	3	3/8"	4	1/2"	-	-	
N	Thread type	P	BSPT	N	NPT	F	PF	O	Others	
IB	Ring mount	IB	Inside bayonet	OB	Outside bayonet	-	-	-	-	
Custom	Pressure range	Gauge pressure – (0…1 to 400bar) Negative pressure – (-1…0bar) Compound pressure – (-1…0…1 to 20bar) Pressure unit (psi, bar, kPa, kg/cm2, MPa, inHg, mmHg, cmHg, etc…) & single / dual scale can be customized upon request								
B	Accuracy	A	±0.5%	B	±1%	C	±1.6%	D	±2.5%	
/D	Other requests	/A	Third party notarized documents			/B	Inspection report			
		/C	Tag			/D	Customized dial face (scale, color, unit, etc.)			
		/E	Install a diaphragm seal			/F	Internal stop pin for overpressure protection			
		/G	Epoxy coating			/H	Window – safety glass			
		/I	Peak hold pointer			/J	Indicator (red, green, yellow)			
		/K	Case material stainless steel 316			/L	Silicone rubber sealed window			
		/M	Special square nut A Type			/N	Adjustable pointer			
		/O	Blow out back			/P	Oil filler hole			

Order example: SP-SUS - 04 - A - 304 - 304 - 2 - N - IB - (0…0.6 to 10bar) - B + /D