

Main specifications

▼Size

2" , 2.5" , 3" , 4" , 6"

▼Installation type

Bottom mount (A) /

Bottom mount with flange (B) /

Back mount (ADC) /

Back mount (eccentric thread) (ADE) /

Back mount with flange (BDC) /

Back mount with flange

(eccentric thread) (BDE) /

Back mount with U-Clamp

(Eccentric thread) (UDE) /

Back mount with flange and

U-Clamp (Eccentric thread) (UBDE)

▼Window

PC / Glass

Option: safety glass

(Only available for size > 4")

▼Pressure connection

Material: copper alloy

Thread size:

1/8" , 1/4" , 3/8" , 1/2"

Thread type:

BSPT, NPT, PF

Other thread specifications

please specify before order

▼Pressure range

Gauge pressure ▼

2" / 2.5" / 3" :

0...300 to 6000mmAq

4" / 6" :

0...160 to 6000 mmAq

Negative pressure ▼

-6000...0 mmAq

Compound pressure ▼

2" / 2.5 / 3" :

±150 to ±3000mmAq

4" / 6" :

±80 to ±3000mmAq

▼Applicable fluid

Liquid and gas that compatible

with copper alloy

▼Ambient temperature

-40°C to +60°C

▼Fluid temperature

-20 C to +60°C

▼Temperature error

Every ±12 °C

max. error: ±0.3% F.S

▼Protection level

IP 54

Other Specifications

▼Ring material

Stainless steel

▼Ring mount

Inside bayonet /

Snap-in /

Screw fixed

▼Case

Material: SS304

With air outlet

▼Pointer

Aluminum with black enamel

▼Dial face

Blue & black scale

Adjustable screw on dial face

Pressure unit, scale & color can

be customized upon request

Micro pressure unit ▼

kPa, mbar, mmH₂O, mmAq,

mmWC, inH₂O

▼Measuring elements

Capsule

Material: copper alloy

▼Movement

Copper alloy

▼Accuracy

2" , 2.5" , 3" , 4" : 3%

6" : 2%

▼Operating pressure

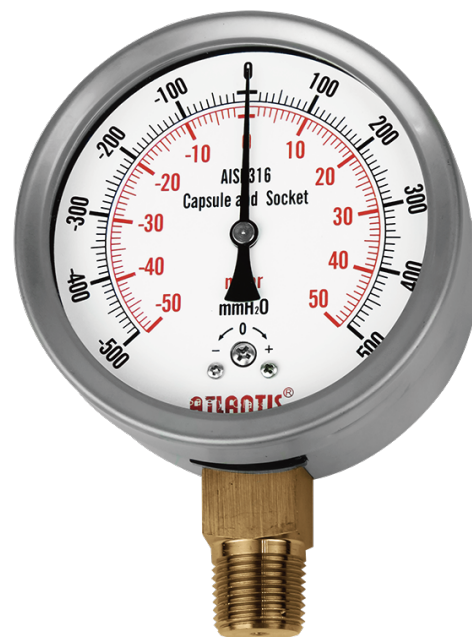
Stabilization: 3/4* full scale

Fluctuation: 2/3* full scale

Stainless Steel Case Micro Pressure Gauge Model: MP-SC

Introduction

MP Series pressure gauge is applicable to measure micro pressure of liquid and gas that compatible with copper alloy. Compared with the black steel case type, it has higher accuracy and better protection level.

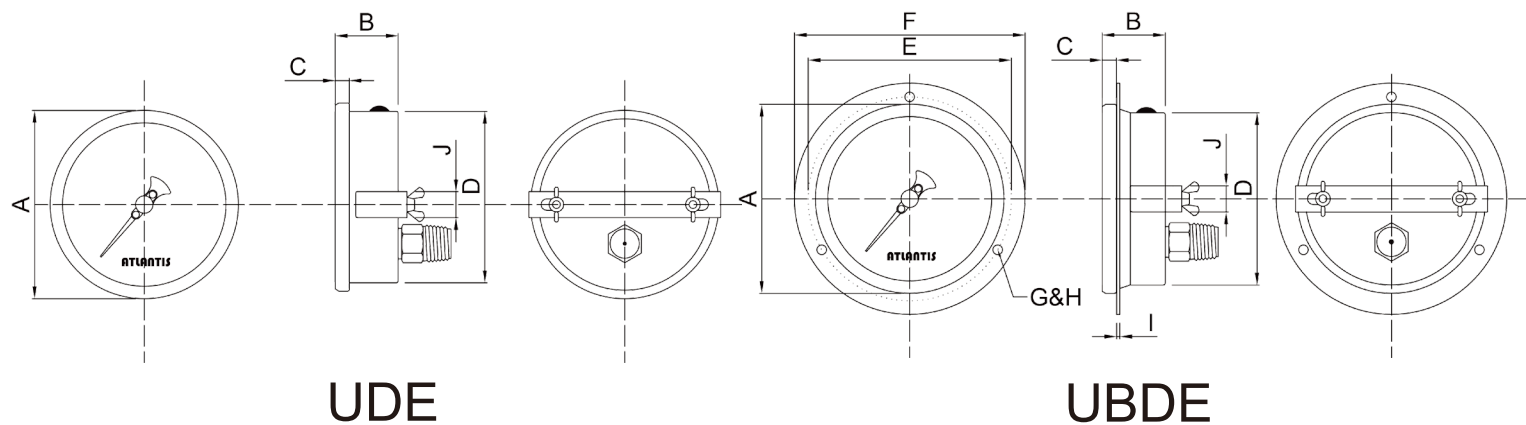
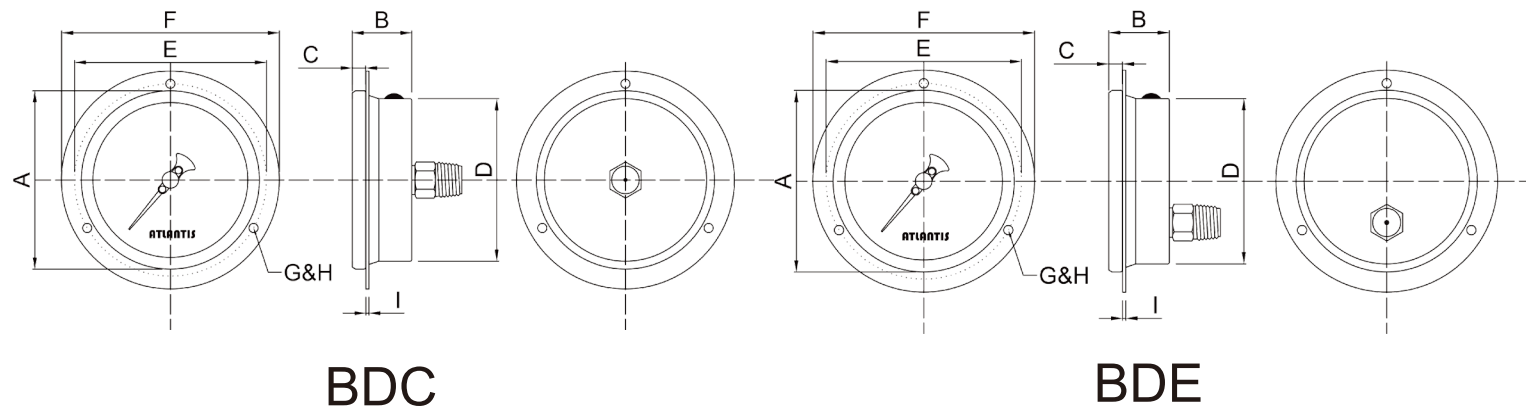
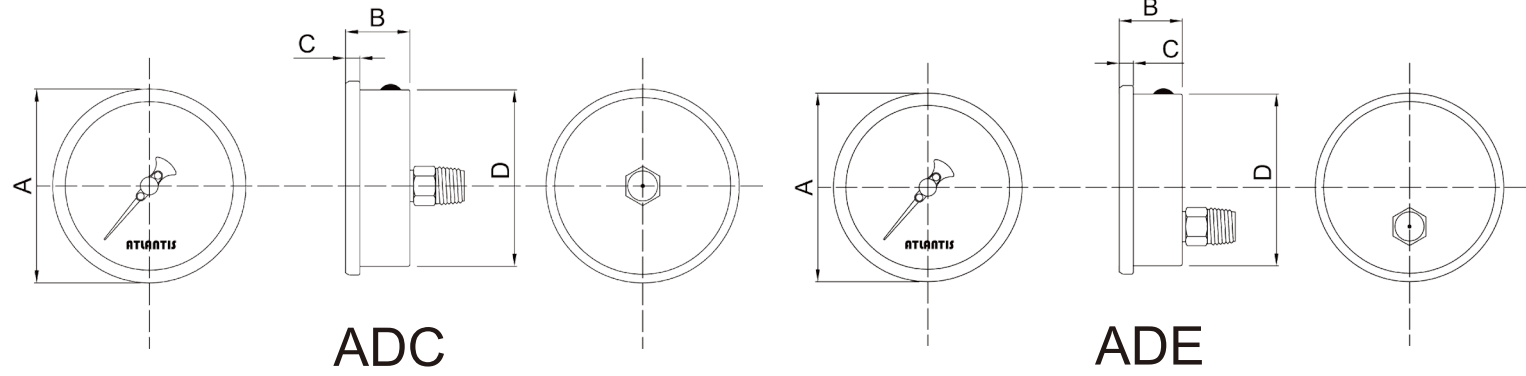
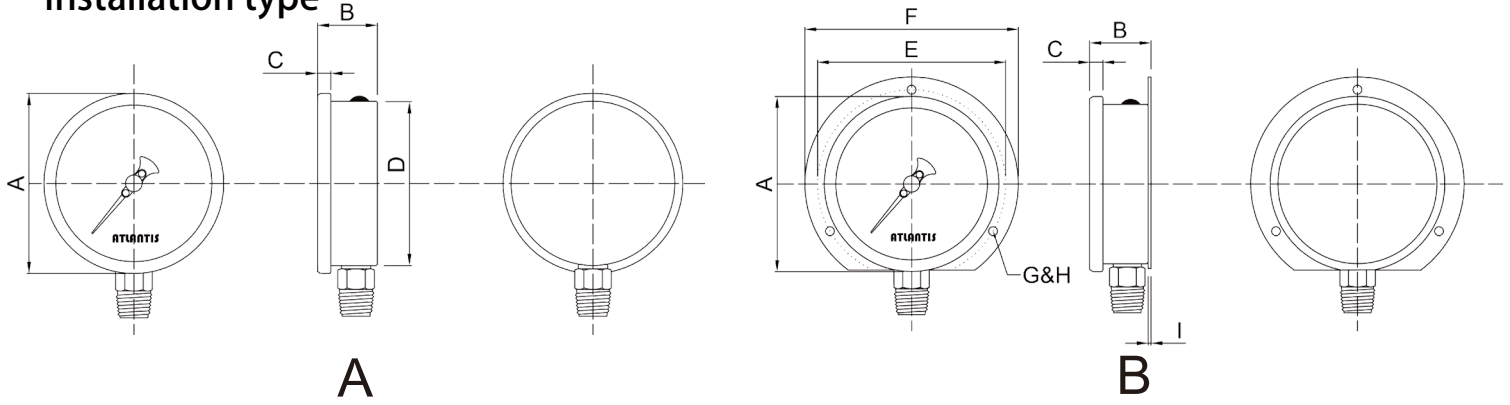


Due to the variety of customization, the picture is only for reference, please confirm the actual item with our sales. (If there is any change on specification, please take the latest version as standard.)

Features

- OEM service
- Design for measuring micro pressure
- Min. measurable pressure 160mmAq
- Housing material adopts stainless steel

Installation type



Installation type	2"	2.5"	3"	4"	6"
A		●	●	●	●
B				●	●
ADC	●	●		●	
ADE				●	●
BDC		●		●	
BDE				●	●
UDE				●	●
UBDE				●	●

How to order

MP-SC Stainless Steel Case Micro Pressure Gauge										
Std.	Spec.	Code	Item	Code	Item	Code	Item	Code	Item	
04	Size	02	2"	025	2.5"	03	3"	04	4"	
		06	6"	-	-	-	-	-	-	
A	Installation type	A	Bottom mount	B	Bottom mount with flange	ADC	Back mount	ADE	Back mount (Eccentric thread)	
		BDC	Back mount with flange	BDE	Back mount with flange (Eccentric thread)	UDE	Back mount with U-Clamp	UBDE	Back mount with flange and U-Clamp	
2	Thread size	1	1/8"	2	1/4"	3	3/8"	4	1/2"	
N	Thread spec.	P	BSPT	N	NPT	F	PF	O	Others (please specify)	
Custom	Pressure range	Gauge pressure : 2.5" / 3" : 0...300 to 6000mmAq 4" / 6" : 0...160 to 6000 mmAq Negative pressure: -6000...0mmAq Compound pressure: 2.5" / 3" : ±150 to ±3000mmAq 4" / 6" : ±80 to ±3000mmAq Pressure unit on dial face : kPa, mbar, mmH ₂ O, mmAq, mmWC, inH ₂ O (special unit available upon request)								
/D	Other requests	/A	Third party notarized documents			/B	Inspection report			
		/C	Tag			/D	Customized dial face (scale, color, unit, etc.)			
		/E	Case material SS316			/F	Dampened movement / oil cup			
		/G	Install a diaphragm seal			/H	Peak hold pointer (only available for size < 2.5")			
		/I	Internal stop pin for overpressure protection			/J	Epoxy coating			
		/K	Window - safety glass (only available for 4")			/L	Indicator (red / green / yellow)			
		/M	Adjustable pointer			/N	Knife edge pointer			
		/O	Chrome-plated thread			-	-			

Order example: MP-SC - 04 - A - 2 - N - (0 to 500 mmAq) + /D