

Main specifications

- ▼Size
2" / 2.5" / 3" / 4"
- ▼Installation type
Bottom mount (A) /
Bottom mount with flange (B) /
Back mount (ADC) /
Back mount (eccentric thread)
(ADE) /
Back mount with flange(BDC)
- ▼Window
Glass (standard)
Option:
PC / Acrylic / Safety glass
- ▼Pressure connection
Material: copper alloy
Size: 1/4" ,3/8" ,1/2"
Spec.: BSPT, NPT, PF
Other thread specs please
specify before order
- ▼Pressure range
0...500 to 6000mmAq
- ▼Applicable media
Liquid and gas that compatible
with copper alloy
- ▼Ambient temperature
-40°C to +60°C
- ▼Fluid temperature
-20 C to +60°C
- ▼Temperature drift
Every 12°C
Max. error ±0.3% F.S
- ▼Protection level
IP43

Other specifications

- ▼Ring
Steel with black enamel
- ▼Ring mount
Snap-in / Screw fixed
- ▼Case
Steel with black enamel
- ▼Pointer
Aluminum with black enamel
Knife edge pointer
(For Size > 3" only)
- ▼Dial face
Blue & black scale
Adjustable screw on dial face
Other pressure unit, scale &
color available upon request
- ▼Measuring elements
Capsule
Material: copper alloy
- ▼Movement
Copper alloy
- ▼Accuracy
±4% (Option: ±3%)
- ▼Operating pressure
Stabilization 3/4* full scale
Fluctuation 2/3* full scale

Black Steel Case Micro Pressure Gauge Model: MP-EPG Introduction

MP-EPG micro pressure gauge with affordable price is suitable for micro pressure measurement in media compatible with liquid and gas.



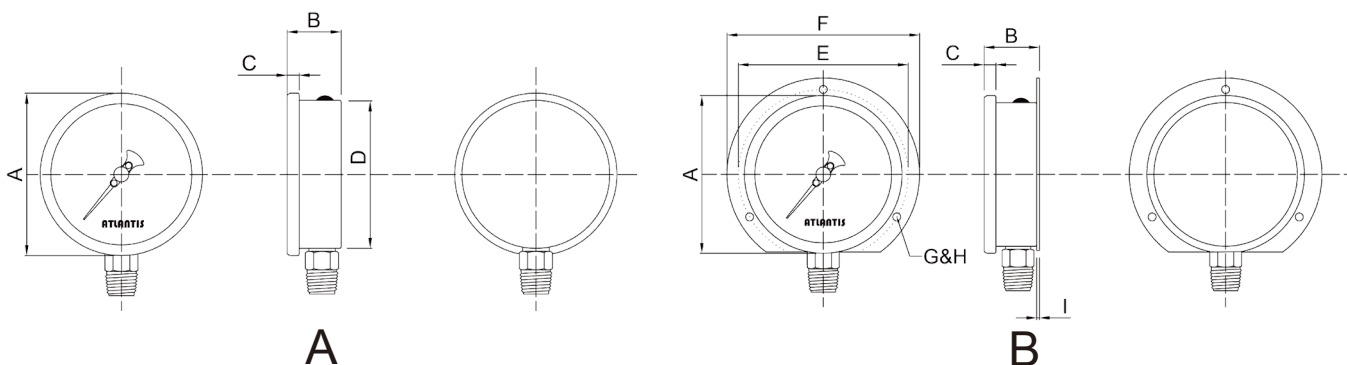
Due to the variety of customization, the picture is only for reference, please confirm the actual item with our sales. (If there is any change on specification, please take the latest version as standard.)

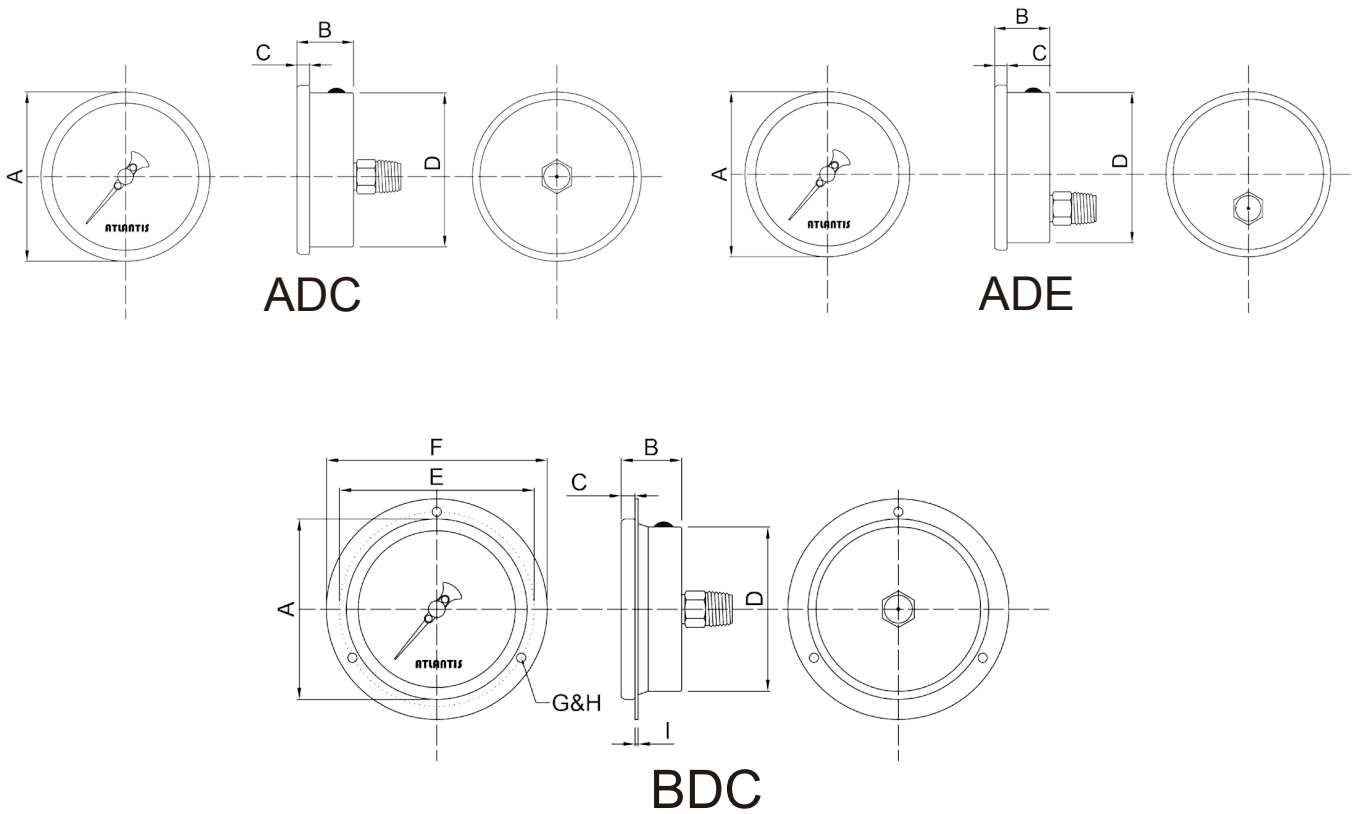
Features

- OEM service
- General type micro pressure gauge with affordable price
- Specially design for micro pressure measurement

Installation type	2" (50mm)	2.5" (63mm)	3" (75mm)	4" (100mm)
A	●	●	●	●
B		●	●	●
ADC	●	●		●
ADE			●	
BDC		●		●

Installation type





How to order

MP-EPG Black Steel Case Pressure Gauge													
Std.	Specification	Code	Item	Code	Item	Code	Item	Code	Item	Code	Item		
03	Size	02	2"	025	2.5"	03	3"	04	4"	-	-		
A	Installation type	A	Bottom mount	B	Bottom mount with flange	ADC	Back mount	ADE	Back mount (Eccentric thread)	BDC	Back mount with flange		
B	Connection material	B	Copper alloy	O	Others (please specify)	-	-	-	-	-	-		
B	Capsule material	B	Copper alloy	O	Others (please specify)	-	-	-	-	-	-		
4	Thread size	2	1/4"	3	3/8"	4	1/2"	-	-	-	-		
N	Thread type	P	BSPT	N	NPT	F	PF	O	Others (please specify)	-	-		
Custom	Pressure range	0...500 to 6000mmAq											
B	Accuracy	A	±3%	B	±4%	-	-	-	-	-	-		
/D	Other requests	/A	Third party notarized report					/B	Inspection report				
		/C	Tag					/D	Customized dial face (scale, color, unit, etc.)				
		/E	Install a diaphragm seal					/F	Peak hold pointer (only available for size < 2.5")				
		/G	Internal stop in for overpressure protection					/H	Epoxy coating				
		/I	Window - PC					/J	Window - Acrylic				
		/K	Window - Safety glass (only available for size > 4")					/L	Ring - chrome plating				
		/M	Case - chrome plating					/N	Thread - chrome plating				
		/O	Minimum measurable pressure 300mmAq					-	-				

Order example: MP-EPG - 03 - A - B - B - 4 - N - (0...500 mmAq) - B + /D