

Main Specifications	Other Specifications
<p>▼Size 2.5" , 3" , 4" , 4.5" , 6"</p> <p>▼Window Safety glass</p> <p>▼Installation type Left-right side mount (LR) / Bottom mount (A) / Back mount (AD)</p> <p>▼Connection material Magnetic piston ▼ SS316 Diaphragm ▼ Aluminum alloy</p> <p>▼Pressure connection Size: 1/4" , 1/2" Type: BSP (F), NPT (F) Other thread specifications are available, please specify</p> <p>▼Differential pressure range 0...9 to 100 psi (Minimum measurable pressure 25mmAq available upon request)</p> <p>▼Applicable fluid Liquid and gas that compatible with stainless steel</p> <p>▼Liquid-filling (option) Glycerin / Silicone oil</p> <p>▼Ambient temperature 0°C to +60°C</p> <p>▼Fluid temperature +80°C</p> <p>▼Protection level IP54</p>	<p>▼Ring material Rubber</p> <p>▼Ring mount Outside bayonet Snap-in for size 6"</p> <p>▼Case Magnetic piston ▼ SS316 Diaphragm ▼ Aluminum alloy</p> <p>▼Pointer Aluminum with black enamel</p> <p>▼Dial face All black scale</p> <p>▼Measuring elements Magnetic piston / Diaphragm</p> <p>▼Movement Stainless steel</p> <p>▼Accuracy 3% (option: 2%)</p> <p>▼Static pressure ≤100bar (option: 200/400bar)</p>

## Differential Pressure Gauge (Magnetic Piston Type) Model: MDH-90EXC

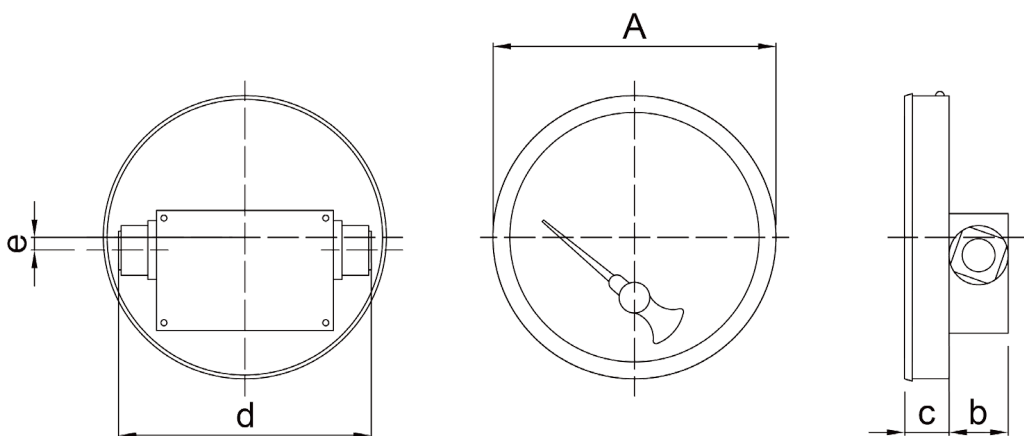


Due to the variety of customization, the picture is only for reference, please confirm the actual item with our sales. (If there is any change on specification, please take the latest version as standard.)

### Features

- OEM service
- Adopts magnetic piston as measuring elements
- Optional diaphragm as measuring elements with aluminum case available
- Wide pressure range application: Micro/low/medium/high pressure
- Full scale reading have been calibrated to ensure its high accuracy

### Dimension



## How to order

### MDH-90EXC Differential Pressure Gauge (Magnetic Piston Type)

Std.	Specification	Code	Item	Code	Item	Code	Item	Code	Item	Code	Item
04	Size	025	2.5"	03	3"	04	4"	045	4.5"	06	6"

LR	Installation type	LR	Left-right side mount	A	Bottom mount	AD	Back mount	-	-	-	-
----	-------------------	----	-----------------------	---	--------------	----	------------	---	---	---	---

316	Connection material	316	SS316	AL	Aluminum alloy	O	Others (please specify)	-	-	-	-
-----	---------------------	-----	-------	----	----------------	---	-------------------------	---	---	---	---

4	Thread size	2	1/4"	4	1/2"	O	Others (please specify)	-	-	-	-
---	-------------	---	------	---	------	---	-------------------------	---	---	---	---

N	Thread spec.	P	BSP (F)	N	NPT (F)	O	Others (please specify)	-	-	-	-
---	--------------	---	---------	---	---------	---	-------------------------	---	---	---	---

B	Accuracy	A	2%	B	3%	-	-	-	-	-	-
---	----------	---	----	---	----	---	---	---	---	---	---

N	Liquid-filling	N	Dry	G	Glycerin	S	Silicone oil	O	Others (please specify)	-	-
---	----------------	---	-----	---	----------	---	--------------	---	-------------------------	---	---

Custom	Differential pressure	0...9 to 100psi Pressure unit on dial face: kg/cm2, bar, psi, Pa, kPa, MPa, atm Other pressure units or single / dual scale available upon request									
--------	-----------------------	--	--	--	--	--	--	--	--	--	--

/D	Other requests	/A	Third party notarized document				/B	Inspection report				
		/C	Tag				/D	Customized dial face (scale, color, unit, etc.)				
		/E	Case material SS316				/F	Peak hold pointer				
		/G	Install a diaphragm seal				/H	Install a switch contact				
		/I	Safety glass				/J	Tempered glass				
		/K	Minimum measurable pressure: 25mmAq (Pressure sensor adopts diaphragm)				/L	Dampened movement				
		/M	Adapt the other kind of thread				/N	Internal stop pin for overpressure protection				
		/O	Maximum static pressure 200bar				/P	Maximum static pressure 400bar				

Order example: MDH-90EXC - 04 - LR - 316 - 4 - N - B - N - (0...60psi)+/D