

## Main Specifications

## ▼ Size

8" , 10" ,12"

## ▼ Installation type

Bottom mount (A) /  
Bottom mount with flange (B)

## ▼ Window

PC  
(Option: Tempered glass)  
PE gasket

## ▼ Pressure connection

Material: copper alloy  
Unsealed connection  
Size: 3/8" ,1/2" ,3/4"  
Type: BSPT, NPT, PF

## ▼ Pressure range

Gauge pressure ▼  
0...0.6 to 1000 bar  
Negative pressure ▼  
-1...0bar  
Compound pressure ▼  
-1...0 to 20bar

## ▼ Applicable fluid

Liquid and gas that compatible  
with copper alloy

## ▼ Ambient temperature

-40°C to +60°C

## ▼ Fluid temperature

+60°C

## ▼ Temperature error

Every ±12 °C  
max. error: ±0.3% F.S

## ▼ Protection level

IP54

## Other Specifications

## ▼ Ring

Steel with black enamel

## ▼ Ring mount

Screw fixed

## ▼ Case

Steel with black enamel

## ▼ Pointer

Aluminum with black enamel

## ▼ Dial face

Blue & black scale  
Special large dial face  
Pressure unit, scale, color can  
be customized upon request

## ▼ Measuring elements

Bourdon tube  
Material: copper alloy / SS304  
<400bar: copper alloy  
≥400bar: SS304

## ▼ Movement

Copper alloy

## ▼ Accuracy

2.5% (standard) /  
1.6% (option)

## ▼ Operating pressure

Stabilization: 3/4\* full scale  
Fluctuation: 2/3\* full scale  
Impulse: 1\* full scale

## Black Steel Case Large Size Pressure Gauge Model: LS-EPG

### Introduction

LS series pressure gauge features large dial face with clear readings, which is suitable for large apparatuses that require remote reading.

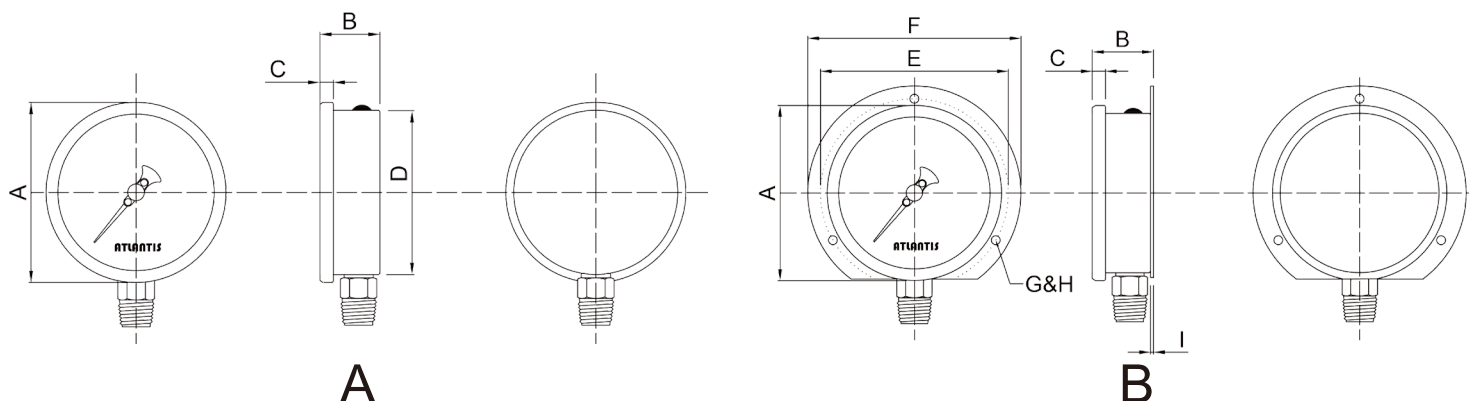


Due to the variety of customization, the picture is only for reference, please confirm the actual item with our sales. (If there is any change on specification, please take the latest version as standard.)

### Features

- OEM service
- 8~12" large size pressure gauge
- Large size dial face increases legibility
- Specially design for apparatuses need remote reading

## Installation type



## How to order

### LS-EPG Large Size Black Steel Case Pressure Gauge

Std.	Spec.	Code	Item	Code	Item	Code	Item	Code	Item	Code	Item	
10	Size	08	8"	10	10"	12	12"	-	-	-	-	
A	Installation type	A	Bottom mount	B	Bottom mount with flange	-	-	-	-	-	-	
B	Connection material	B	Copper alloy	O	Others	-	-	-	-	-	-	
B	Bourdon tube material	B	Copper alloy	304	SS304	O	Others	-	-	-	-	
4	Thread size	3	3/8"	4	1/2"	6	3/4"	-	-	-	-	
N	Thread spec.	P	BSPT	N	NPT	F	PF	O	Others	-	-	
Custom	Pressure range	Gauge pressure – (0...0.6 to 1000bar) Negative pressure – (-1...0bar) Compound pressure – (-1...0...0.6 to 20bar) Pressure unit (psi, bar, kPa, kg/cm2, MPa, inHg, mmHg, cmHg, etc...) & single / dual scale can be customized upon request.										
B	Accuracy	A	1.6%	B	2.5%	-	-	-	-	-	-	
/D	Other requests	/A	Third party notarized document				/B	Inspection report				
		/C	Tag				/D	Customized dial face (scale, color, unit, etc.)				
		/E	Dampened movement				/F	Internal stop pin for overpressure protection				
		/G	Window - tempered glass				/H	Epoxy coating				
		/I	Ring - chrome plating				/J	Thread - chrome plating				
		/K	Case - chrome plating				-	-				

Order example: LS-EPG - 10 - A - B - B - 4 - N - (0...10bar) - B + /D