

Main Specifications

▼Size

8" , 10" , 12"

▼Installation type

Bottom mount with flange (B) /
Lower back mount with flange
(BDE)

▼Window

Material: Glass

With rubber O-ring sealed

▼Pressure connection

Material:

Brass / SS316 / Monel K400

With rubber O-ring sealed

Size: 3/8" , 1/2" , 3/4"

Type: BSPT, NPT, PF

Other thread spec. available
upon request

▼Pressure range

Positive pressure ▼

0...0.4 to 1600bar

Vacuum pressure ▼

-1 bar/-30inHg/-76cmHg

Compound pressure ▼

-1...0 to 100bar

▼Applicable fluid

Liquid and gas that compatible
with connection's material

▼Ambient temperature

-40°C to +80°C (Dry)

▼Media temperature

+60°C (Brass)

+125°C (Stainless steel)

+300°C (with cooling element)

▼Temperature error

Every $\pm 12^\circ\text{C}$

max. error: $\pm 0.3\%$ F.S

▼Protection level

IP54

Other Specifications

▼Ring

Aluminum alloy with black
enamel

Threaded ring

▼Case

Aluminum alloy with black
enamel

▼Pointer

Anodized Aluminum with
black enamel

▼Dial face

Blue and black scale

Customized pressure unit on
dial (single/dual scale)

▼Measuring elements

Bourdon tube

Material:

Brass / SS316 / Monel K500

▼Movement

Stainless steel

With overload & underload stops

▼Accuracy

$\pm 1.6\%$ F.S. (standard)

$\pm 1.0\%$ F.S. (option)

▼Operating pressure

Stabilization: 0.75* full scale

Fluctuation: 0.9* full scale

Impulse: 1.3* full scale

▼Weight

2.1-2.5 kg (8")

2.7-3.1 kg (10")

3.2-3.6 kg (12")

Aluminum Case

Large Size Pressure Gauge

Model: LS-AL

Introduction

LS-AL are supplied with an aluminum back flange case with black enamel. Large size pressure gauge are suitable where the distance is a factor and the gauge needs expanded dial face to increase its legibility without visual error.

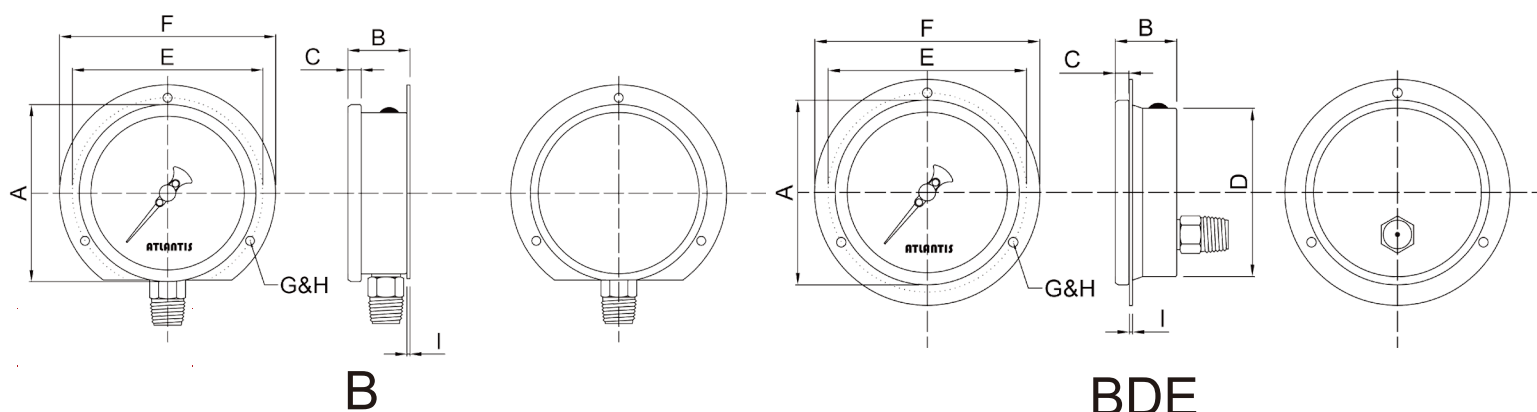


Due to the variety of customization, the picture is only for reference, please confirm the actual item with our sales. (If there is any change on specification, please take the latest version as standard.)

Features

- OEM service
- Adopts aluminum case with black enamel design
- 8" / 10" / 12" expanded dial face increases legibility
- Specially design for apparatuses need to read pressure value from remote place
- Impact and vibration resistance

Installation



How to order

LS-AL Aluminum Case Large Size Pressure Gauge												
Standard	Spec.	Code	Item	Code	Item	Code	Item	Code	Item	Code	Item	
10	Size	08	8"	10	10"	12	12"	-	-	-	-	
B	Installation type	B	Bottom mount with flange	BDE	Lower back mount with flange	-	-	-	-	-	-	
SS	Pressure connection	SS	SS316	B	Brass	M	Monel K400	-	-	-	-	
SS	Bourdon tube	SS	SS316	B	Brass	M	Monel K500	-	-	-	-	
4	Thread size	3	3/8"	4	1/2"	6	3/4"	-	-	-	-	
N	Thread spec.	P	BSP	N	NPT	F	PF	O	Others	-	-	
Custom	Pressure range	Positive pressure – (0...0.4 to 1600bar) Vacuum pressure – (-1 bar/-30inHg/-76cmHg...0) Compound pressure – (-1...0 to 100bar) Customized pressure unit on dial face (psi, bar, kPa, kg/cm ² , MPa, inHg, mmHg, cmHg, etc...), single/dual scale										
B	Accuracy	A	1%	B	1.6%	-	-	-	-	-	-	
/D	Other requests	/A	Third party notarized document				/B	Stainless steel tag				
		/C	Inspection report (issued by Re-Atlantis)				/D	Dampened movement				
		/E	Customized dial face (scale, color, etc.)				/F	Thread - chrome plating				
		/G	Install a diaphragm seal				/H	Adjustable pointer				
		/I	Cleaned for oxygen service				/J	Epoxy coating				
		/K	Install a cooling fin (media temp. 300°C)				-	-				

Order example: LS-AL - 10 - B - SS - SS - 4 - N - (0...0.4 to 60bar) - B + /D