

## Main Specifications

## ▼ Size

4" , 6"

## ▼ Installation type

Bottom mount (A) /

Bottom mount with flange (B) /

Back mount (eccentric thread) (ADE) /

Back mount with flange

(eccentric thread) (BDE) /

Back mount with U-Clamp

(Eccentric thread) (UDE) /

Back mount with flange and

U-Clamp (Eccentric thread) (UBDE)

## ▼ Window

Safety glass

O-ring sealed

## ▼ Pressure connection

Material: SS304

Welded connection

Size: 1/4" , 3/8" , 1/2"

Type: BSPT, NPT, PF

Other thread specifications

please specify before order

## ▼ Pressure range

0...400 to 4000 bar

## ▼ Applicable fluid

Liquid and gas that compatible  
with SS 304

## ▼ Ambient temperature

Dry &amp; Silicone oil filled:

-40°C to +60°C

Glycerin filled:

-20°C to +60°C

## ▼ Fluid temperature

Dry: +120°C

Glycerin filled: +100°C

Silicone oil filled: +200°C

## ▼ Temperature drift

Every  $\pm 12$  °Cmax. error:  $\pm 0.3\%$  F.S

## ▼ Protection level

IP54 (standard) / IP65 (option)

## Other Specifications

## ▼ Ring

Stainless steel

## ▼ Ring mount

Inside bayonet

## ▼ Case

SS 304

## ▼ Pointer

Aluminum with black enamel

## ▼ Dial face

Blue and black scale

Pressure unit, scale &amp; color can

be customized upon request

## ▼ Measuring elements

Bourdon tube

Material: SS304

## ▼ Additional protection (option)

Blow-out back

## ▼ Movement

Stainless steel

## ▼ Accuracy

1%

## ▼ Operating pressure

Stabilization: 3/4\* full scale

Fluctuation: 2/3\* full scale

Impulse: 1\* full scale

## All Stainless Steel High Pressure Gauge

### Model: HPPG-SUS

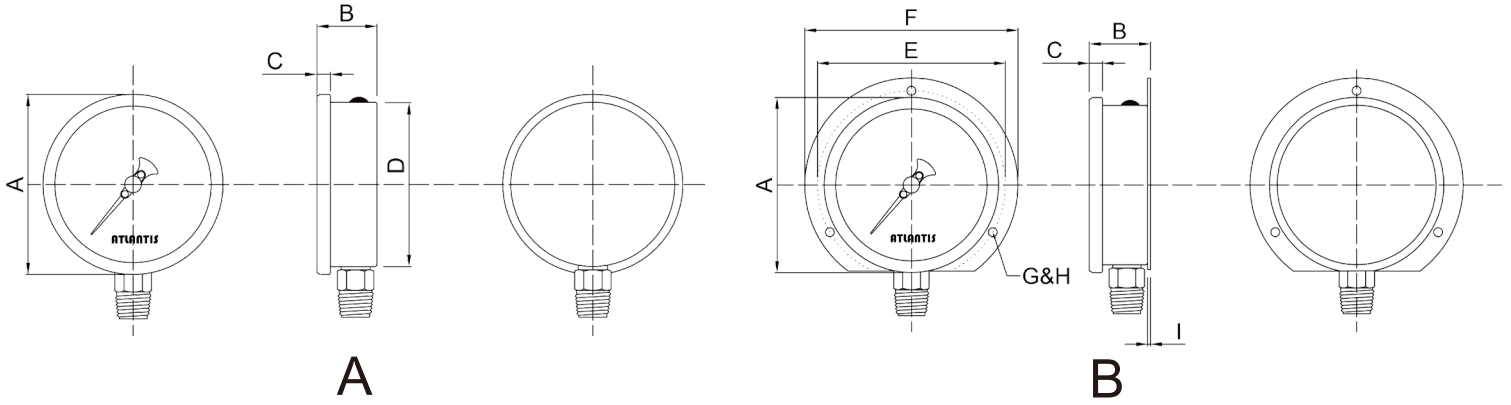


Due to the variety of customization, the picture is only for reference, please confirm the actual item with our sales. (If there is any change on specification, please take the latest version as standard.)

## Features

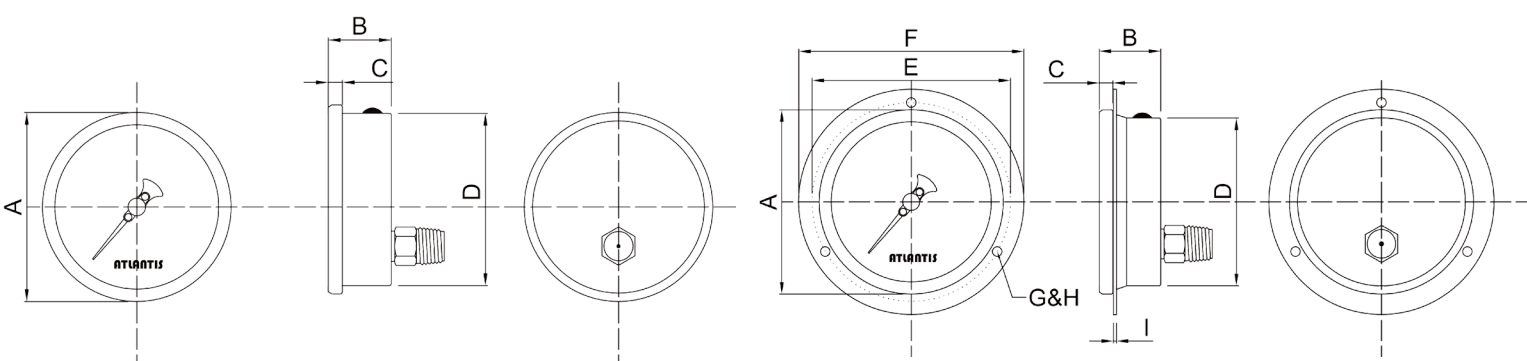
- OEM service
- Specially design for high pressure measurement  
Maximum pressure measurement: 4000bar
- Welded connection, maximum fluid temperature can up to 200°C
- All stainless steel design
- German Bourdon tube BK (bachmaier-klemmer) is available (optional)

安裝型式



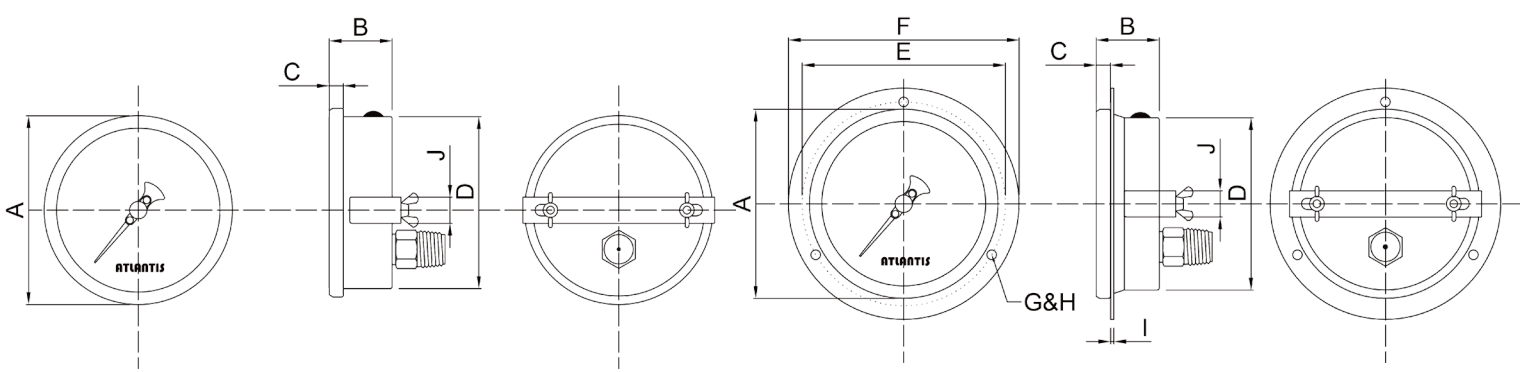
A

B



ADE

BDE



UDE

UBDE

Installation type	4"	6"
A	●	●
B	●	●
ADE	●	●
BDE	●	●
UDE	●	●
UBDE	●	●

## How to order

HPPG-SUS All Stainless Steel High Pressure Gauge										
Std.	Spec.	Code	Item	Code	Item	Code	Item	Code	Item	
04	Size	04	4"	06	6"	–	–	–	–	
A	Installation type	A	Bottom mount	B	Bottom mount with flange	ADE	Back mount (Eccentric thread)	BDE	Back mount with flange (Eccentric thread)	
		UDE	Back mount with U-Clamp (Eccentric thread)	UBDE	Back mount with flange and U-Clamp (Eccentric thread)	–	–	–	–	
304	Connection material	304	SS304	316	SS316	O	Others (please specify)	–	–	
304	Capsule material	304	SS304	316	SS316	O	Others (please specify)	–	–	
4	Thread size	2	1/4"	3	3/8"	4	1/2"	–	–	
N	Thread type	P	BSPT	N	NPT	F	PF	O	Others (please specify)	
O	Liquid-filling	O	Dry	G	Glycerin	S	Silicone oil	O	Others (please specify)	
Custom	Pressure range	0...400 to 4000bar								
/D	Other requests	/A	Third party notarized documents			/B	Inspection report			
		/C	Tag			/D	Customized dial face (scale, color, unit, etc.)			
		/E	Case material SS316			/F	Dampened movement / oil cup			
		/G	Install a diaphragm seal			/H	Nachmaier-klemmer Bourdon tube			
		/I	Internal stop pin for overpressure protection			/J	Window sealing — silicone tuber O-ring			
		/K	Accuracy 0.5%			/L	Epoxy coating			
		/M	Adjustable pointer			/N	Knife edge pointer			
		/O	Special square nut A type			/P	Protection level IP65			

Order example: HPPG-SUS - 04 - A - 304 - 304 - 4 - N - O - (0 to 1000bar) + /D