

## Main Specifications

## ▼ Size

2" / 2.5" / 3.5" / 4.5"

## ▼ Installation type

Bottom mount (A)

Back mount (ADC)

(For 3.5" , bottom mount is the only installation type )

## ▼ Window

Glass / Acrylic

(No sealing / PE gasket)

## ▼ Pressure connection

Material: copper alloy

No sealing connection

Size: 1/4" , 3/8"

Type: BSPT, NPT

Other thread specs. please specify before order

## ▼ Pressure range

0~30inHg~400psi

(Compound pressure:

30inHg~0~150psi to

30inHg~0~400psi)

## ▼ Applicable fluid

Liquid and gas that compatible with connection's material

## ▼ Ambient temperature

-40°C to +60°C

## ▼ Fluid temperature

-20°C to +60°C

## ▼ Temperature error

Every  $\pm 12$  °C

max. error: °C  $\pm 0.3\%$  F.S

## ▼ Protection level

IP43

## ▼ Drop test

Max. 1.5m

## Other Specifications

## ▼ Ring

Steel with black enamel

Inside bayonet

## ▼ Back housing

Steel with black enamel

## ▼ Pointer

Aluminum with black enamel

## ▼ Dial face

Red and black scale

Pressure unit, scale, color can be customized upon request

## ▼ Measuring elements

Diaphragm & piston

Material: Heat treatment

stainless steel

## ▼ Movement

copper alloy

## ▼ Accuracy

3%-2%-3%

## ▼ Operating pressure

Stabilization: 3/4\* full scale

Fluctuation: 2/3\* full scale

Impulse: 1\* full scale

## High Cost-Effective Plating Pressure Gauge (Diaphragm Type)

### Model: HCP-EPG

## Introduction

HCP-EPG pressure sensor adopts heat treatment stainless steel diaphragm. The diaphragm with the expansion and contraction features, which can measure high pressure and ensure its service life and performance. High shock-resistance is ensured to prevent pressure gauge damaged by instant high pressure.

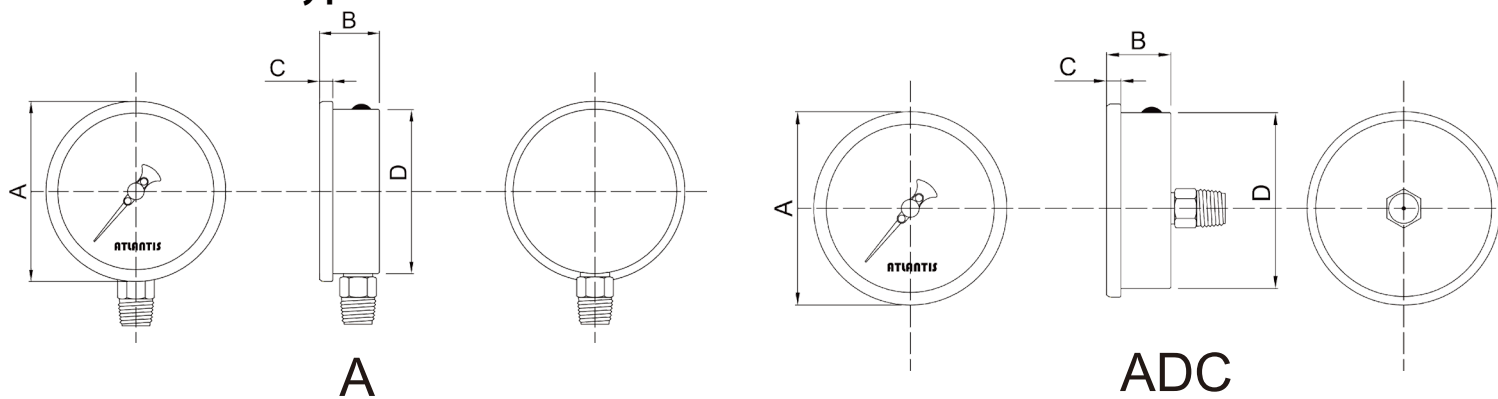


Due to the variety of customization, the picture is only for reference, please confirm the actual item with our sales. (If there is any change on specification, please take the latest version as standard.)

## Features

- OEM service
- Anti-drop design - no gear and welding parts
- High instant pressure resistance - piston is used to reduce instance high pressure
- Shock-resistance design

### Installation type



Installation type	2" (52mm)	2.5" (64mm)
A	●	●
ADC	●	●

### How to order

HCP-EPG High Cost-Effective Plating Pressure Gauge (Diaphragm Type)												
Std.	Specifications	Code	Item	Code	Item	Code	Item	Code	Item	Code	Item	
02	Size	02	2"	025	2.5"	035	3.5"	045	4.5"	-	-	
A	Installation type	A	Bottom mount	ADC	Back mount	-	-	-	-	-	-	
B	Connection material	B	Copper alloy	O	Others (please specify)	-	-	-	-	-	-	
2	Thread size	2	1/4"	3	3/8"	-	-	-	-	-	-	
N	Thread type	P	BSPT	N	NPT	F	PF	O	Others (please specify)	-	-	
Custom	Pressure range	0~30inHg~400psi (Compound pressure: 30inHg~0~150psi to 30inHg~0~400psi)										
/D	Other requests	/A	Third party notarized document				/B	Inspection report				
		/C	Tag				/D	Customized dial face (scale, color, etc.)				
		/E	Install a diaphragm seal				/F	Internal stop pin for overpressure protection				
		/G	Accuracy 1%				/H	Ring — chrome plating				
		/I	Case — chrome plating				/J	Window with rubber O-ring sealing				

Order example: HCP-EPG - 02 - A - B - 2 - N - (0~30inHg~400psi) + /D