

Main Specifications

▼ **Size**
2.5"

▼ **Installation type**
Bottom mount (A) /
Back mount with flange (BDC)

▼ **Window**
PC

▼ **Pressure connection**
Material: copper alloy
Bottom mount:
1/8" NPT
Back mount:
7/16" UNF (1/4" SAE)
For other thread specifications
please specify before order

▼ **Pressure range**
Low pressure gauge ▼
-76cmHg...0... 125 to 250 psi
-76cmHg...0... 250 to 500 psi
High pressure gauge ▼
0 ... 500psi to 800 psi

▼ **Applicable refrigerant**
R12 / R22 / R502 / R404A /
R410A / R507 / R134a
For other special refrigerant
measurement demand please
inform before ordering

▼ **Ambient temperature**
-40°C to +60°C

▼ **Fluid temperature**
+60°C

▼ **Temperature error**
Every ±12 °C
max. error: ±0.3% F.S

▼ **Protection level**
IP54

Other Specifications

▼ **Ring**
Stainless steel

▼ **Ring mount**
Crimp

▼ **Case**
SS304

▼ **Pointer**
Aluminum with black enamel

▼ **Dial face**
Special dial face for
refrigeration gauge
Refrigerant-temperature
corresponding scale
Pressure unit (custom):
kg/cm², psi, bar, kPa,
Temperature unit:
°C, °F
With adjustable screw

▼ **Measuring elements**
Bourdon tube
Material:
Bronze (high pressure) /
Phosphor bronze (low pressure)

▼ **Movement**
Copper alloy

▼ **Accuracy**
±2.5%

▼ **Operating pressure**
Stabilization 3/4* full scale
Fluctuation 2/3* full scale
Impulse 1* full scale

Stainless Steel Case Refrigeration Gauge Model: F-SC

Introduction

F-SC mechanical refrigeration pressure gauge adopts special dial face with various refrigerants application. It has widely applied in a variety of refrigeration systems pressure measurement, such as air conditioning, refrigerant filling equipment.



Back mount type



Due to the variety of customization, the picture is only for reference, please confirm the actual item with our sales. (If there is any change on specification, please take the latest version as standard)

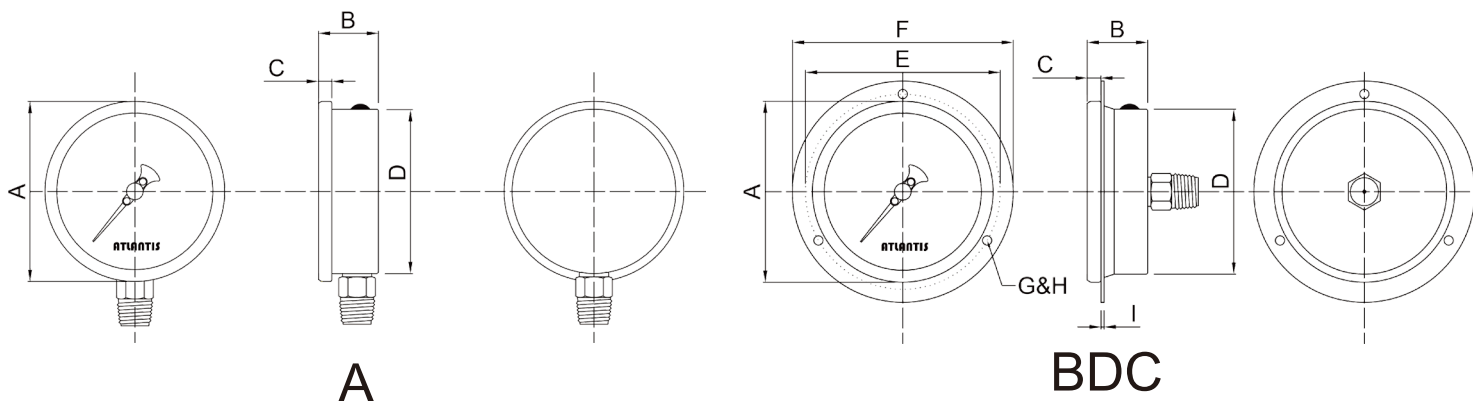
Features

- OEM service
- Stainless steel case design
- Suitable for various refrigerant measurement - R12 / R22 / R404A / R410A / R502 / R507 / R134a
- Special dial face for refrigeration gauge
- Retard scale on dial face for low pressure gauge
- Multiple choices of size and installation types
- Liquid-filling type available for better protection



Bottom mount oil-filled type

Installation type



How to Order

F-SC		Stainless Steel Case Refrigeration Gauge			
Code		Installation type			
A		Bottom mount			
BDC		Back mount with flange (Centric thread)			
Code		Pressure connection			
1N		1/8" NPT (Bottom mount)			
UNF		7/16" UNF (Back mount)			
O		Others			
Code		Refrigerant (Multiple selection)			
Custom		R12 / R22 / R502 / R404A / R410A / R507 / R134a			
O		Others			
Code		Material of case			
304		SS 304			
316		SS 316			
O		Others			
Code		Other demands			
/A		Third party notarized document			
/B		Inspection report			
/C		Tag			
/D		Oil-filling type (Please refer to F-L catalog)			
/E		Peak hold pointer			
/F		Chrome-plated thread			
/G		Epoxy coating			
/H		Customized dial face (scale, colors, etc.)			
/I		Internal stop pin (Over-pressure protection)			
/J		Indicators (Red, green, yellow) <Back mount only>			
/K		Accuracy ± 1.6%			
F-SC	BDC	UNF	R22/R404A/R134a	304	Order example: F-SC-BDC-UNF-R22/R404A/R134a-304