

## Data Sheet

# TC Tank Level Gauge

### FEATURES

- Suitable for symmetrical or asymmetrical vented tanks
- Pressure ranges from 60 inches of water
- Large selection of mounting options
- Remote mounting to lengths of 90 feet

### TYPICAL USES

- Chemical and petrochemical plants
- Industrial facilities
- Marine/shipboard

### SPECIFICATIONS

Accuracy:	±1.6% of span
Size:	160 mm
Case Style:	Open front
Range:	60 in. H <sub>2</sub> O to 360 in. H <sub>2</sub> O
Process Connection:	½ NPT Female adapter ½ NPT Male adapter ¾ BSP or NPT Coupling nut (bend)/ext. mount ¾ BSP or NPT Coupling nut (straight)/ext. mount 130 mm Tank wall mount 4 in. ANSI Flange 150 lbs

Process Connection Location:	Lower
Movement:	Nickel plated brass
Case Mounting:	Surface
Ring:	Bayonet
Window:	Glass
Pointer:	Black, aluminum
Dial (270° arc):	Aluminum, white background, black scale
Capillary Line (min/max):	3 ft to 90 ft
Weather Protection:	IP45
Proof Pressure (Overpressure):	30 psi

### WETTED COMPONENTS

Diaphragm	Process Connection	Seal Housing
316 Stainless steel	316 Stainless steel	316 Stainless steel

### NON-WETTED COMPONENTS

Case	Ring	Capillary Line
304 Stainless steel	304 Stainless steel	Copper, PVC Sheath (standard) Copper, 304 Stainless steel armor (optional)



**Tank Level Gauge**  
160 mm size

### KEY BENEFITS

- No head pressure effect on reading
- Self-powered design requires no external power
- Submerged or external mount seal housing design
- Overpressure capability to 30 psi

### MIN/MAX TEMPERATURE LIMITS

Version	Ambient	Process
Dry	32°F to 131°F (0°C to 55°C)	32°F to 212°F (0°C to 100°C)

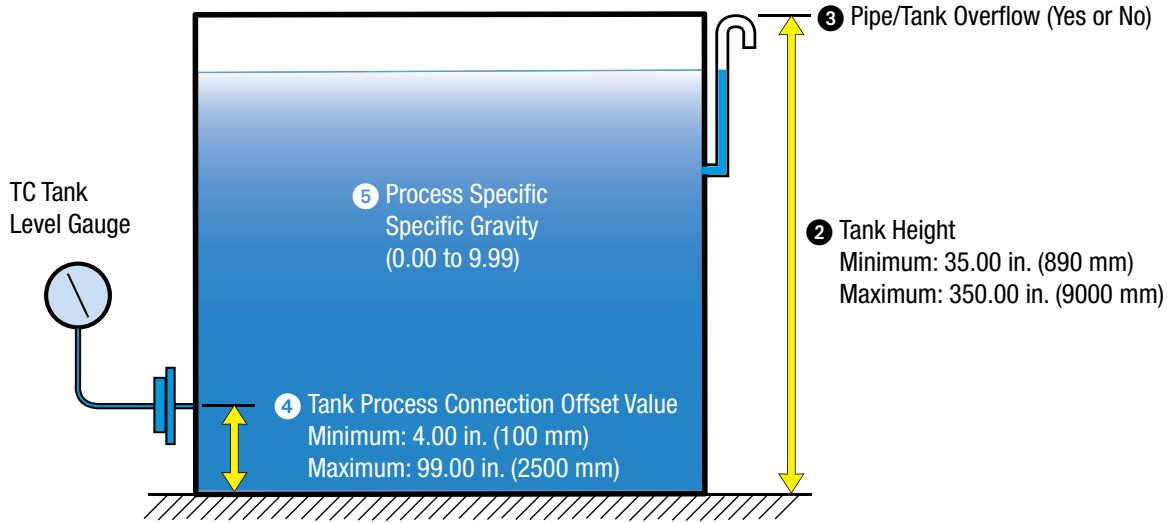
# Data Sheet

## TC Tank Level Gauge

ORDERING CODE	Example:	16TC	2M	S	10	F	#XXXX	-XNH
<b>Dial Size/Model Code</b>								
16TC - 160 mm Tank level gauge		16TC						
<b>Pressure Connection Type</b>								
2F - ½ NPT Female adapter, external mount								
2M - ½ NPT Male adapter, external mount			2M					
CB - ¾ BSP Female coupling nut (bend)/external mount								
CS - ¾ BSP Female coupling nut (straight)/external mount								
TW - 130 mm Tank wall mounting/internal mount								
RF - 4 in. ANSI 150 RF Flange/external mount								
<b>Capillary Type</b>								
S - Copper w/304 stainless steel armor				S				
P - Copper /PVC sheath								
<b>Capillary Line Length</b>								
03 - 3 ft								
05 - 5 ft								
10 - 10 ft					10			
20 - 20 ft								
25 - 25 ft								
50 - 50 ft								
90 - 90 ft								
<b>Capillary Length Units</b>								
F - Feet						F		
<b>4 Digit pound sign (to be assigned after completion and submission of Tank Level Submittal Form see page 3)</b>								
#XXXX - Customer supplied data							#XXXX	
<b>Options (If choosing an option(s) must include a "-X")</b>								
DM - Dial marking								
NH - Stainless steel tag wired to case								-X_

# TC Tank Level Gauge

## Vented Tank Measurement Symmetrical or Asymmetrical Design



### TANK LEVEL SUBMITTAL FORM

Supply the Following:

<b>Name:</b>	
<b>Company:</b>	
<b>Telephone:</b>	
<b>1 Customer Tank Strapping Chart:</b>	(attach a copy with submittal form)
<b>2 Tank Height (min/max):</b> min: 35.00 in. (890 mm) max 350.00 in. (9000 mm)	
<b>3 Pipe/Tank Overflow (Yes or No):</b>	
<b>4 Tank Process Connection Offset Value (min/max):</b> min: 4.00 in. (100 mm) max: 99.00 in. (2500 mm)	
<b>5 Process Specific Gravity:</b> 0.00 to 9.99	
<b>6 Range (min/max):</b> 60 to 360 in. H <sub>2</sub> O	(calculated by Ashcroft)

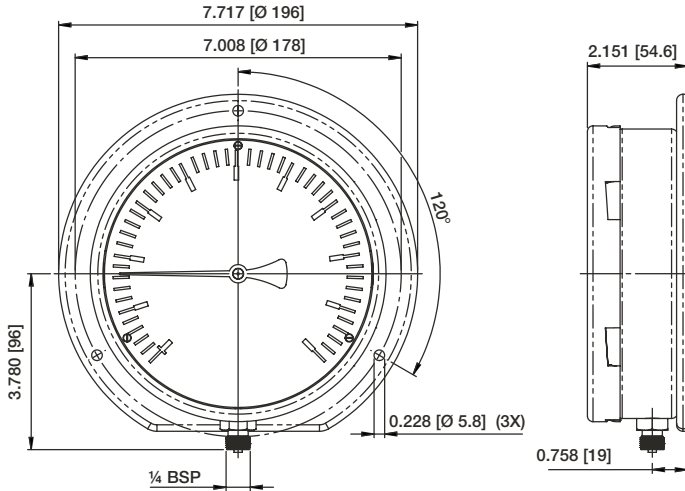
Submit completed form with the tank strapping chart to:  
techinfo@ashcroft.com

# TC Tank Level Gauge

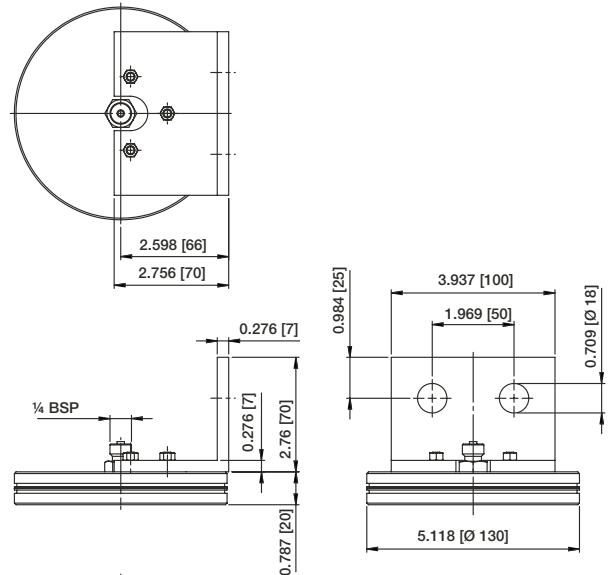
**DIMENSIONS** in [ ] are mm

For reference only, consult Ashcroft for specific dimensional drawings

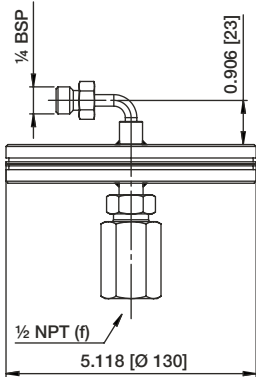
**160 mm Tank Gauge**



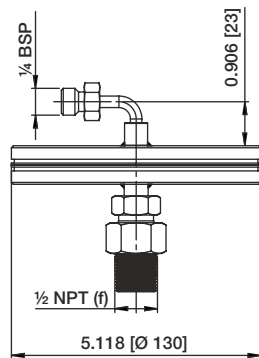
**TW Wall Mount**



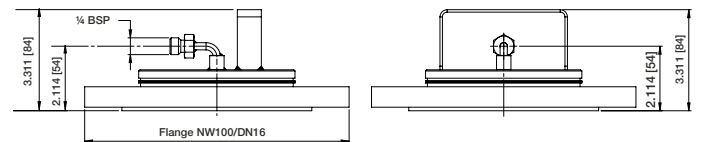
**2F Flange - 1/2 NPTF Adapter**



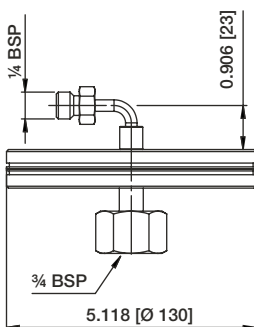
**2M Flange - 1/2 NPTM Adapter**



**RF Flange**



**CB Flange - 3/4 BSP Female**



**CN Flange - 1/2 BSP Male**

