

## Data Sheet

# SC Subsea Pressure Gauge

### FEATURES

- Depths to 2500 meters
- 100% Glycerin filled
- Compensated case design
- All-Stainless steel design
- Meets RVA calibration standards

### TYPICAL USES

- Offshore drilling
- Hyperbaric conditions
- Specialized deep depth



SC  
100mm dial size

### SPECIFICATIONS

Accuracy:	±1.0% of span
Case Size:	100mm
Range:	15 psi to 20,000 psi
Process Connection Location:	Lower, back
Process Connection:	½ NPT or BSP
Case Style:	Open front
Fill Fluid	100% Glycerin filled
Window Thickness:	4mm
Movement:	304 Stainless steel
Dial:	Aluminum, white background, black markings
Pointer:	Black, aluminum
Ring:	Bayonet lock
Weather Protection:	IP68 (water depth)
Mounting:	Direct, panel or surface
Operating Temperature:	40°F to 120°F (4°C to 50°C)
Approvals:	CE

### NON-WETTED COMPONENTS

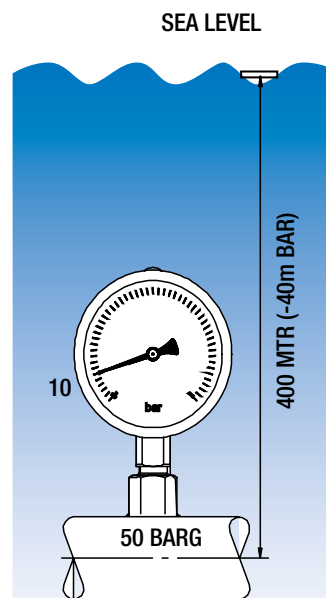
Case	316L Stainless steel
Screwed Bezel Ring	316L Stainless steel

### WETTED COMPONENTS

Bourdon Tube	316L Stainless steel
Pressure Connection	316L Stainless steel

### KEY BENEFITS

- Economical design for subsea applications
- Provides pressure measurement to extreme depths
- Corrosion resistant construction



#### Compensated Case Design:

The economical model SC is 100% glycerin filled with an integral compensation device. Its design provides a means of equalizing internal case pressure with that of the external ambient pressure when the gauge is submerged to the desired depth (<2500 meters). This allows the gauge to operate without requiring a costly enclosure that relies solely upon case/window strength to withstand external subsea pressure. The compensated gauge indicates pressure by comparing the measured pressure source to the local ambient pressure.

# Data Sheet

## SC Subsea Pressure Gauge

ORDERING CODE	Example:	10SC	E	S	G	04	L	160#	-XDA
<b>Case Size/Model Code</b>									
10SC - SC Subsea Gauge, 100mm		10SC							
<b>Depth (≤)</b>									
E - 2500 Meters (100mm Size)			E						
<b>System Tube</b>									
S - 316L Tube & process connection				S					
<b>Fill Fluid</b>									
G - Glycerin					G				
<b>Process Connection Sizes</b>									
04 - ½ NPT Male						04			
15 - ½ BSP Male									
<b>Process Connection Location</b>									
L - Lower							L		
B - Back									
<b>Pressure Range (coding example only, see range table on page 3 for standard ranges)</b>									
160# - 160 psi								160#	
<b>Options (If choosing an option(s) must include a "X")</b>									X
FF - Front flange (lower and back connection)									
FW - Back flange (lower connection only)									
NH - Stainless steel tag wired to case									
DA - Dial marking - text marking on dial									DA
BD - Black dial / white pointer									
YD - Yellow dial / black pointer									
CD-1 - Certificate of conformance to specifications and/or drawings (standard)									
CD-1A - Certificate of conformance to specifications and/or drawings (non-standard) cost per list/order									

**SC Subsea Pressure Gauge**

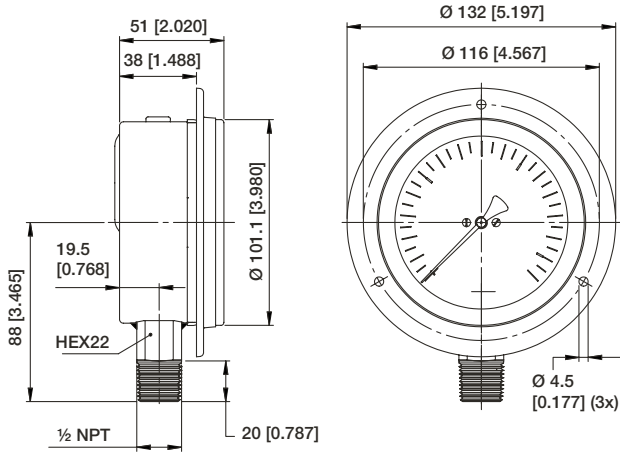
<b>STANDARD PRESSURE RANGES</b>				
	<b>psi</b>	<b>bar</b>	<b>kPa</b>	<b>kg/cm<sup>2</sup></b>
<b>Vacuum</b>	15#	N1BR	N100KP	1KG
	-	N1/0.6BR	N100/60KP	1.6KG
<b>Compound</b>	30#	-	-	-
	-	2.5BR	250KP	2.5KG
	60#	4BR	400KP	4KG
	-	6BR	600KP	6KG
	100#	-	-	-
	-	10BR	1000KP	10KG
	160#	-	-	-
	200#	-	-	-
	-	16BR	1600KP	16KG
	300#	-	-	-
<b>Positive Pressure</b>	-	25BR	2500KP	25KG
	400#	-	-	-
	500#	-	-	-
	600#	40BR	4000KP	40KG
	800#	-	-	-
	-	60BR	6000KP	60KG
	1000#	-	-	-
	1500#	100BR	10000KP	100KG
	2000#	-	-	-
	-	160BR	16000KP	160KG
	3000#	-	-	-
	-	250BR	25000KP	250KG
	4000#	-	-	-
	5000#	-	-	-
	6000#	400BR	40000KP	400KG
	8000#	-	-	-
-	600BR	60000KP	600KG	
10000#	-	-	-	
15000#	1000BR	100000KP	1000KG	
20000#	-	-	-	
-	1600BR	-	1600KG	

# SC Subsea Pressure Gauge

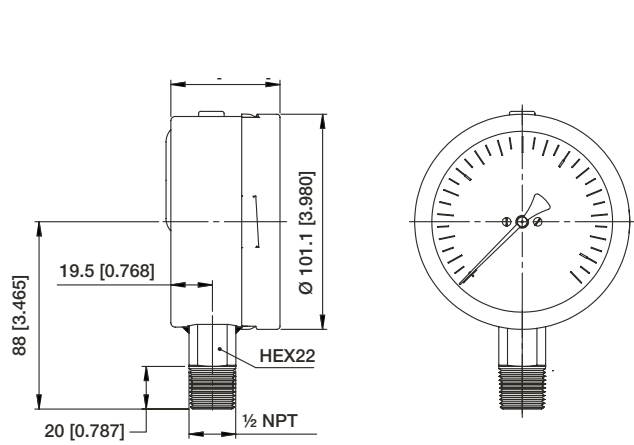
## DIMENSIONS mm [in]

For reference only, consult Ashcroft for specific dimensional drawings

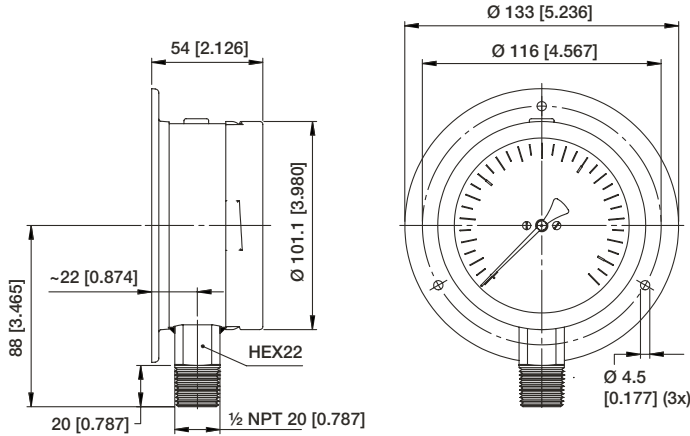
100mm SC Lower Connect (XFF), 2500 meters



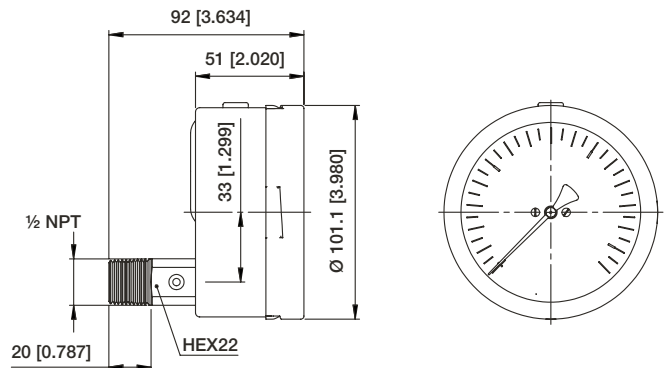
100mm SC Lower Connect, 2500 meters



100mm SC Lower Connect (XFW), 2500 meters



100mm SC Back Connect, 2500 meters



100mm SC Back Connect (XFW), 2500 meters

