

## DG25 General Purpose Digital Gauge

### FEATURES

- 0.5% Accuracy (0.25% option)
- Min./Max. function feature records low and high pressure events
- Nine engineering units: one field (programmable)
- All Stainless steel-laser welded wetted parts
- Push-button menu navigation
- 20 segment bar graph display
- 5 Digit numeric display
- IP67 Enclosure

### TYPICAL USES

- Hydraulics and pneumatics
- Test and measurement
- Specialized OEM equipment
- Material strength testing
- Torque measurement
- Weighing

### SPECIFICATIONS

Accuracy:	±0.5% of span (ASME B40.7 Grade 2A), ±0.25% of span (ASME B40.7 Grade 3A) (OPT.)
Case Size:	2½"
Nominal Sizes:	2.73" (70mm) dia., 1.61" (40.9mm) deep, 2.64" (67mm) centerline to end of ¼ NPT thread height
Character Height:	Upper line: 0.48", (12.19mm), 5 digit Lower line: 0.24", (6.10mm), 5 character alphanumeric
Ranges:	Vacuum, compound, 15 to 25,000 psi
Pressure Connection:	¼ NPT typical, see page 4 for all options
Process Connection Location:	Lower
Temperature Coefficient:	0.04%°F (-20°F to 180°F) zero and span Reference temperature 70°F
Leak Integrity:	10 <sup>-7</sup> cc/sec
Update Rate:	1Hz, 2Hz, 4Hz
Vibration:	MIL-STD-20G, Method 201A
Shock:	MIL-STD-20G, Method 213B, Test Condition K
Serial Number:	Yes
View Angle:	12 o'clock
Battery:	Two AA alkaline batteries
Battery Life:	2,000 hours minimum
Battery Life Indicator:	4 levels
Cycle Life:	10 million cycles



DG25  
2.73", 70mm nominal case diameter



### KEY BENEFITS

- Wide variety of pressure connection thread options
- Easily custom configured to meet unique requirements
- Ingress protection suitable for demanding applications

### SPECIFICATIONS

LCD Display:	Five-digit numeric top line, five-character alphanumeric lower line, 20 segment vertical bar graph, four segment battery life indicator, dedicated icons for gauge timer, back light timer, tare, min. and max.
Keypad Functions:	Three key, with multi press functionality
Hard Keys:	<b>On/Off:</b> Power Symbol and Enter <b>Zero:</b> Tare, and Up Arrow <b>Menu:</b> Access, Backlight, Down Arrow
Engineering Units:	psi, bar, inHg, cmHg, mmHg, kPa, MPa, kg/cm <sup>2</sup> , ftH <sub>2</sub> O, and customer defined unit
Enclosure Rating:	IP67
Approvals:	CE, UL 61010-1, CUL

### PRESSURE RATINGS

Overpressure:	Proof:	Burst:
15 to m2,000 psi	2 X Range	8 X Range
M3,000 to m5,000 psi	1.5 X Range	3 X Range
M7,500 to m20,000 psi	1.2 X Range	1.5 X Range

# Data Sheet

## DG25 General Purpose Digital Gauge

WETTED COMPONENTS		
Diaphragm	Socket	Joints
17-4 Stainless steel	316L Stainless steel	Laser welded
NON-WETTED COMPONENTS		
Case	Keypad	
Polycarbonate/ABS	Polycarbonate	

MIN/MAX TEMPERATURE LIMITS		
Version	Process	Storage
DG25	-4°F to 140°F (-20°C to 60°C)	-4°F to 140°F (-20°C to 60°C)
Batteries removed	—	-4°F to 176°F (-20°C to 80°C)

ORDERING CODE	Example:	DG	25	3	1	L	1	NA	M02	L	1000#	-XC4
<b>Model</b>		DG										
DG - DG25		DG										
<b>Dial Size</b>			25									
25 - 2.5"			25									
<b>Accuracy</b>				3								
3 - ±0.25% of span				3								
5 - ±0.5% of span												
<b>Type</b>					1							
1 - Battery					1							
<b>Backlight</b>						L						
L - Backlight						L						
N - No backlight												
<b>Protective Boot</b>												
0 - None												
1 - Black							1					
2 - Orange												
<b>Electrical Connection</b>								NA				
NA - Not Applicable								NA				
<b>Process Connection Size</b>									M02			
F09 - 9/16-18 UNF-2B internal thread, high pressure									M02			
M01 - 1/8 NPT Male												
M02 - 1/4 NPT Male									M02			
M04 - 1/2 NPT Male												
M75 - No thread for seal weld												
MD2 - 1/4 NPT Female, (dry seal) high pressure												
MG2 - G1/4 B Male												
MGA - G3/4 A Male												
MKJ - 1/4-19 BSP Male with shaft												
MLF - 1/2 NPT With 7/16-18 UNF-3B internal thread												
MR4 - R 1/4 Male												
MS2 - 1/4-19 BSP Male												
<b>Process Connection Location</b>										L		
L - Lower										L		
<b>Range (coding example, see range table below for all standard ranges)</b>											1000#	
1000# - 0-1,000 psi											1000#	
<b>Options (if choosing an option(s), must include an "X")</b>												X_
B3 - Gauge pouch with Ashcroft® logo												X_
C4 - Individual certified calibration chart												C4
NH - Metal tag wired to case												
OB - Generic non-branded key panel												
QX - Epoxy potted stem (10 unit minimum)												
6B - Cleaned for gaseous oxygen service												
6W - Cleaned to ASME B40.100 level IV, NOT marked for gaseous oxygen service												

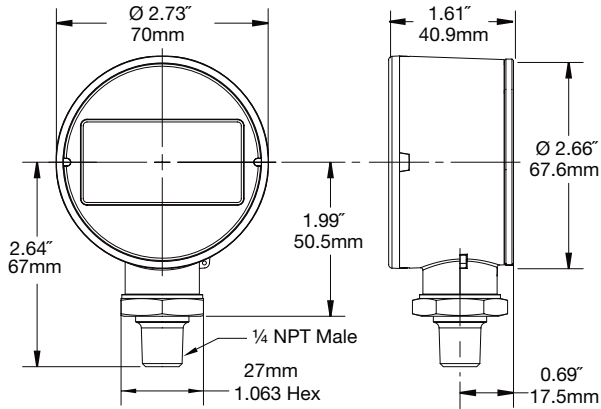
Consult factory for: Custom configurations, OEM requirements, individual calibration chart, cleaned for gaseous oxygen service, gauge pouch with Ashcroft® logo, other ranges and mounting options



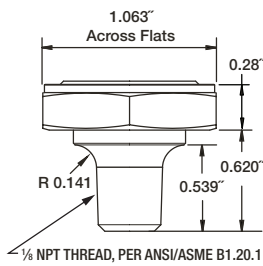
# DG25 General Purpose Digital Gauge

## DIMENSIONS

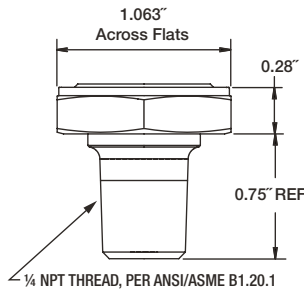
For reference only, consult Ashcroft for specific dimensional drawings.



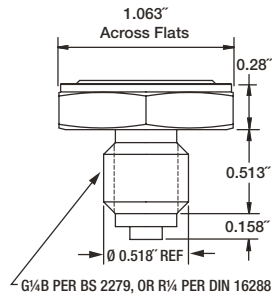
**1/8 NPT Male (M01)**



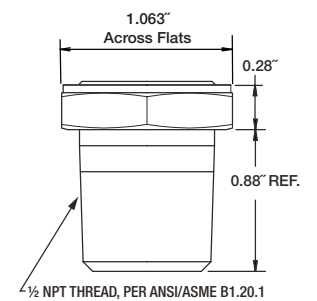
**1/4 NPT Male (M02)**



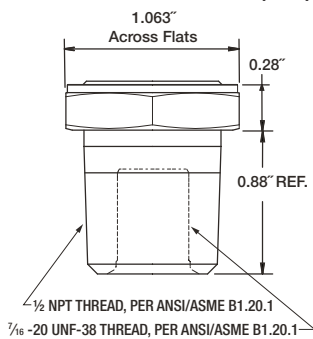
**G1/4B NPT Male (MG2)**



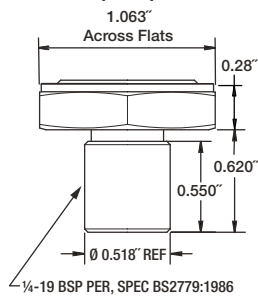
**1/2 NPT Male (M04)**



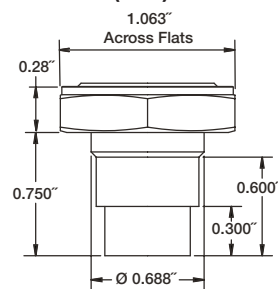
**1/2 NPT Male & 7/16-20 UNF-38 (MLF)**



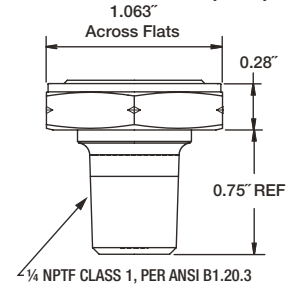
**1/4-19 BSP (MS2)**



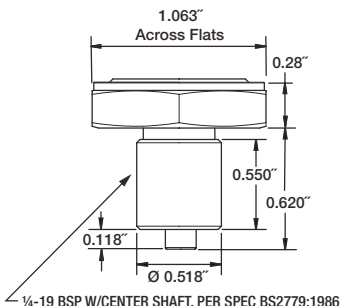
**No Threads (M75)**



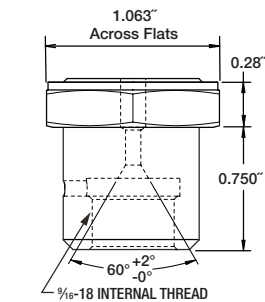
**1/4 NPT Female Class 1 (MD2)**



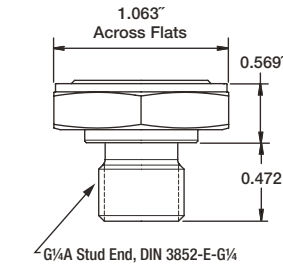
**1/4-19 BSP Male w /Center Shaft (MKS)**



**9/16-18 Internal Thread (M09)**



**G1/4A-19 Stud End (MGA)**



**R1/4 Thread (MR4)**

