

## Data Sheet

# 1147 Differential Pressure Gauge for Tank Level Measurement

### FEATURES

- 270 Degree dial arc
- Static pressure capability 1,000 psi
- Superior magnets for smoother pointer motion
- Convoluted diaphragm actuator
- Easily removed window for cleaning

### TYPICAL USES

- Tank level measurement
- Flow measurement
- Filtration monitoring
- Pump monitoring



**1147**  
4½", 6" dial sizes

### SPECIFICATIONS

Accuracy:	±2% ascending pressure full scale differential, ±1.6% (optional)
Sizes:	4½", 6"
Ranges:	30 in. H <sub>2</sub> O up to 2000 in. H <sub>2</sub> O or equivalent ranges in other units.
Process Connection Location:	Lower (standard), back or in-line (optional)
Process Connection Sizes:	¼ NPT Female
Migration:	Zero
Weather Protection	IP65
Maximum Process Temperature:	175° F (80°C)
Minimum Ambient Temperature:	Buna-N diaphragm -4°F (-20°C) EPDM diaphragm -40°F (-40°C) Viton diaphragm 32°F (0°C)
Maximum Static Pressure:	1,000 psi

### WETTED COMPONENTS

Actuator	O-Rings/Diaphragm	Body Material
Convoluted diaphragm	Viton™ (standard) Buna-N (optional)	Aluminum, brass or stainless steel

### NON-WETTED COMPONENTS

Case Material	Window
Thermoplastic/glass filled nylon	Glass (standard), safety glass or plastic (optional)

### KEY BENEFITS

- No migration of the process media
- Standard switches available
- 5 year warranty
- ITT Barton retrofit

### RATINGS FOR STANDARD REED SWITCHES

Switches	Contact Rating	Current	Voltage
SPST	10 VA ac (rms) or dc (Max.)	0.5 Amp ac (rms) or dc (Max.)	100 Vac/Vdc (Max.)
SPDT	3 VA ac (rms) or dc (Max.)	0.3 AMP ac (rms) or dc (Max.)	30 Vac/Vdc (Max.)

# Data Sheet

## 1147 Differential Pressure Gauge for Tank Level Measurement

ORDERING CODE	Example:	60	1147	A	D	25	L	XNH	2000MMW
<b>Dial Size</b>									
45 - 4½" Dial									
60 - 6" Dial		60							
<b>Model</b>									
1147 - 270 degree dial DP Gauge			1147						
<b>Body Material</b>									
A - Brass				A					
F - Aluminum									
S - Stainless steel									
<b>Case Fill</b>									
D - Dry					D				
<b>Process Connection Sizes</b>									
25 - ¼ NPT Female						25			
<b>Process Connection Location</b>									
L - Lower (STD.)							L		
B - Back									
S - In Line									
<b>Options</b>								XNH	
C4 - Calibration chart									
CS - Dual scale									
DD - Color band									
PD - Acrylic window									
SG - Safety glass									
BF - Surface mounting plate									
TM - Pipe mounting bracket									
EP - Max pointer, only available with PD option									
GM - ½ NPT adaptors									
EM - EPDM diaphragm									
BW - Buna-N diaphragm									
NH - Stainless steel tag									
V1 - 1 SPST DIN plug									
V2 - 1 SPST Terminal strip									
V3 - 2 SPST DIN plug									
V4 - 2 SPST Terminal strip									
V5 - 1 SPDT DIN plug									
V6 - 1 SPDT Terminal strip									
V7 - 2 SPDT DIN plug									
V8 - 2 SPDT Terminal strip									
EW - ½ NPT Conduit adaptor for DIN plug									
FS - Factory set setpoints									
<b>Range (Coding example only. See Range Table on page 3 for all standard ranges.)</b>									
2000MMW - 2000mmH <sub>2</sub> O									2000MMW

# Data Sheet

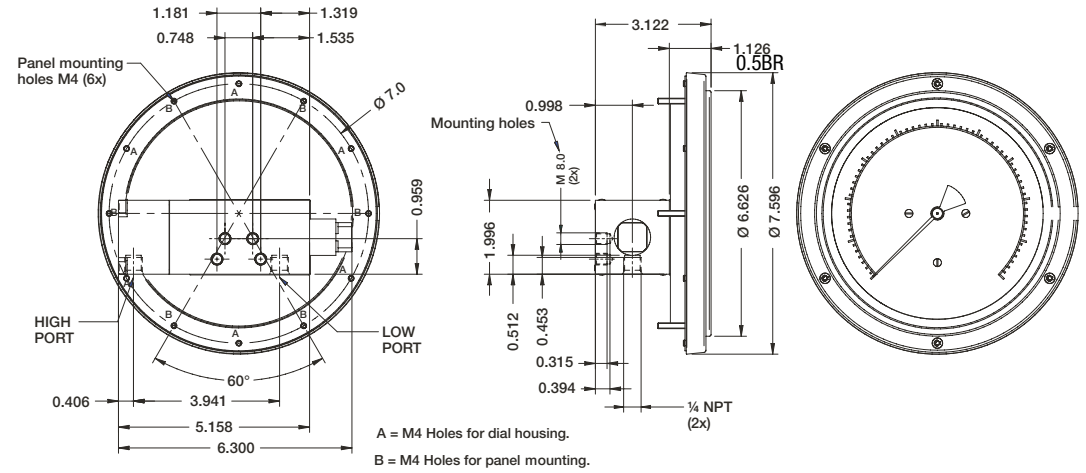
## 1147 Differential Pressure Gauge for Tank Level Measurement

1147 - Range Table		
in. H <sub>2</sub> O	mm H <sub>2</sub> O	psi
30IW	750MMW	1#
40IW	1000MMW	1.5#
60IW	1200MMW	2#
80IW	1500MMW	3#
100IW	2000MMW	4#
150IW	2500MMW	5#
200IW	3000MMW	6#
300IW	4000MMW	7#
400IW	5000MMW	10#
500IW	6000MMW	20#
600IW	7500MMW	30#
1000IW	10000MMW	40#
2000IW	12000MMW	50#
-	15000MMW	60#
-	20000MMW	70#
-	25000MMW	-
-	30000MMW	-
-	40000MMW	-
-	50000MMW	-

### DIMENSIONS (inches)

For reference only, consult Ashcroft for specific dimensional drawings

#### 1147 Gauge 6.0" dial size



#### 1147 Gauge 4.5" dial size

