

Data Sheet

1036 In-Line Sanitary Pressure Gauge, 1037 Sanitary Instrument Fitting

FEATURES: 1036

- Clean-in-Place (CIP) or Steam-in-Place (SIP)
- Autoclave or sterilize with polysulfone window
- Easy Zero™ provides external adjustability of instrument span
- Material certificates and certificate of conformance supplied as standard to EN 10204:2004 3.1

FEATURES: 1037

- Tri-Clamp® connections
- Pipe size; ½" to 2" mates with type 1036 Inline Sanitary Gauge
- Electropolished 316L SS wetted material, 12-20 RA internal surface finish

TYPICAL USES

- Specialized OEM Equipment
- Food and Dairy
- Pharmaceutical
- Biotech
- Medical Equipment
- Filtration

SPECIFICATIONS

Accuracy (of span):	Dry	Liquid Fill and XLL
	Compound & ranges to 100 psi	±2%
	Pressures over 100 psi	±1.5%
Dial Size:	3½"	
Ranges:	Vacuum, Compound 15 to 1,000 psi	
Fill:	Glycerin (USP foodgrade), Halocarbon, mineral oil, food grade silicon	
Process Connection Location:	Lower	
Process Connection:	1½" Tri-Clamp®	
Pointer:	Black aluminum	
Clean or Steam in Place CIP or SIP):	Temperature limit of 200°F (138°C)	
Case Style:	Open front	
Window Material:	Polycarbonate, safety glass or polysulfone	
Movement:	300SS Stainless steel	
Weather Protection:	NEMA 4X. IP65 (plug closed), IP64 (plug vented)	
Diaphragm O-Ring:	Buna-N, Viton® or EPDM	
Movement:	300 SS Stainless steel	
Autoclave or Sterilize:	Temperature limit of 300°F (149°C) when supplied with polysulfone window (option PS, dry gauge only)	
Dampening:	Liquid fill or PLUS! ™ Performance (design is not recommended for gauges expected to be exposed to temperatures over 200°F (93°C). This includes gauges subject to autoclaving.	
Approvals:	1036: 3A compliant to sanitary standard 74, CRN	



1036
3½" dial size

1037
Fittings



KEY BENEFITS

- Instrument fitting virtually eliminates process dead-leg
- Retrofits other manufacturer's CPM design
- True Zero™ reduces reading errors by using a "zero box" instead of conventional pins
- Heat lot traceable material certifications

WETTED COMPONENTS

Diaphragm:	316L Stainless steel, electropolished
Seal Housing:	316L Stainless steel, electropolished
Joints:	Welded

NON-WETTED COMPONENTS

Model	Case	Ring
1036	304 Stainless steel, polished	300 Stainless steel, polished, bayonet, removable

Data Sheet

1036 In-Line Sanitary Pressure Gauge, 1037 Sanitary Instrument Fitting

ORDERING CODE: 1036	Example:	351036	S	L	15	L	-XC4	100#
Dial Size/Model								
351036 - 3½"		351036						
System								
S - 316L SS tube and process connection			S					
Case Fill								
Blank - Dry gauge								
L - Liquid filled, glycerin				L				
Process Connection								
15 - 1½" Tri-Clamp®					15			
Process Connection Location								
L - Lower						L		
Options (If choosing an option(s) must include an "X")								-X__
C4 - Individual calibration chart (in accordance with ASME B 40.100:2013. Accuracy of unit traceable to NIST)								C4
CF - Halocarbon system fill								
CZ - Food grade silicone system fill								
EM - EPDM O-Ring								
FJ - Distilled water system fill								
GX - Halocarbon case fill								
LL - PLUS! ™ Performance								
MO - Mineral oil case fill								
MY - Mineral oil system fill								
MQ - Positive material identification (PMI) (diaphragm and top housing only)								
NZ - PLUS! ™ Performance silicone free								
ZF - Food grade silicone case fill								
NH - SS tag wired to case								
NM - Neobee M-20 System fill								
PS - Polysulfone Window (Autoclave or Sterilize)								
SG - Safety Glass								
VD - Viton® O-Ring								
6B - Cleaned for gaseous oxygen service (required Halocarbon or distilled water case and sytem fill)								
6W - Cleaned for gases other than oxygen								
Range (Coding examples only, see range table on page 3 for all standard ranges)								
30 IMV - 30 IMV								
100# - 100 psi								100#
1000# - 1,000 psi (range required high pressure type clamp, not supplied by Ashcroft)								

*Tri-Clamps® are not included. Tri-Clamps® are a registered trademark of Laval Inc.

Data Sheet

1036 In-Line Sanitary Pressure Gauge, 1037 Sanitary Instrument Fitting

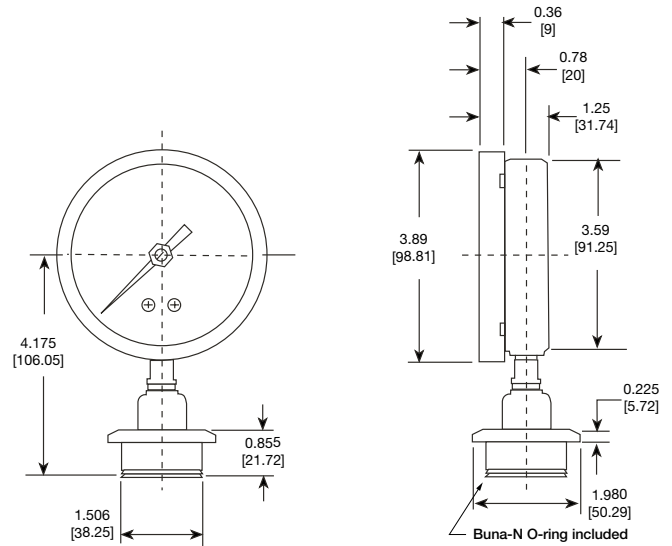
Standard Range Codes - Single Scale					
Vacuum	psi	bar	kPa	kg/cm²	Dual Scale psi Outer Scale
30IMV	-1BR	100KP	-1KSC	30IMV	
30IMV&15#	-	-	-	-	-
-	-1&1.5BR	-100&150KP	-1&1.5KSC	30IMV&20#	
30IMV&30#	-	-	-	-	-
-	-1&3BR	-100&300KP	-1&3KSC	30IMV&40#	
30IMV&60#	-	-	-	-	-
-	-1&5BR	-100&500KP	-1&5KSC	30IMV&70#	
30IMV&100#	-	-	-	-	-
-	-1&9BR	-100&900KP	-1&9KSC	30IMV&125#	
15#	1BR	100KP	1KSC	14# ⁽¹⁾	
-	1.6BR	160KP	1.6KSC	22#	
30#	-	-	-	-	-
-	2.5BR	250KP	2.5KSC	35#	
60#	4BR	400KP	4KSC	55#	
-	6BR	600KP	6KSC	85#	
100#	-	-	-	-	-
-	10BR	1000KP	10KSC	140#	
160#	-	-	-	-	-
200#	-	-	-	-	-
-	16BR	1600KP	16KSC	220#	
300#	-	-	-	-	-
-	25BR	2500KP	25KSC	350#	
400#	-	-	-	-	-
600#	40BR	4000KP	40KSC	550#	
-	60BR	6000KP	60KSC	850#	
1000# ⁽¹⁾	-	-	-	-	-

(1) Requires high pressure clamp

DIMENSIONS in [] are millimeters

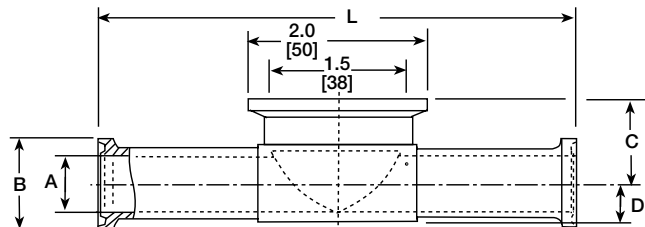
For reference only, consult Ashcroft for specific dimensional drawings

1036 IN-LINE SANITARY PRESSURE GAUGE



Notes: Mounting any of these models in other than a vertical position could cause non-compliance with 3A-74
The 1036 Sanitary Gauge fits into all sizes of the 1037 fitting

1037 INSTRUMENT FITTINGS



Pipe Size	A	B	C	D	L
1/2	0.38 [9.6]	0.98 [24.9]	0.87 [22]	0.31 [7.9]	5.25 [133.4]
3/4	0.63 [15.9]	0.98 [24.9]	1.00 [25]	0.43 [10.9]	5.25 [133.4]
1	0.87 [22.1]	1.98 [50.4]	1.13 [28.7]	0.55 [14.1]	4.75 [120.7]
1 1/2	1.37 [34.7]	1.98 [50.4]	1.13 [28.7]	0.81 [20.6]	5.50 [139.7]
2	1.86 [47.2]	2.51 [62.8]	1.13 [28.7]	1.06 [26.9]	7 [177.8]

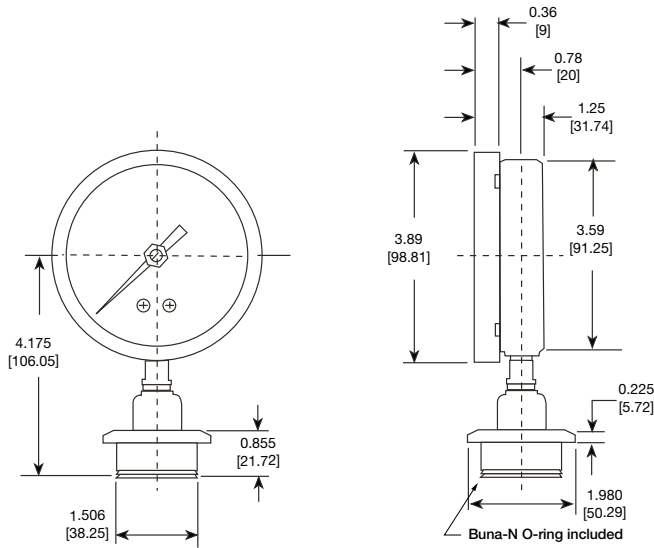
Data Sheet

1036 In-Line Sanitary Pressure Gauge, 1037 Sanitary Instrument Fitting

DIMENSIONS in [] are millimeters

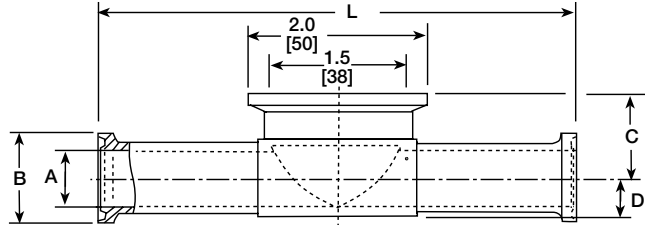
For reference only, consult Ashcroft for specific dimensional drawings

1036 IN-LINE SANITARY PRESSURE GAUGE



Notes: Mounting any of these models in other than a vertical position could cause non-compliance with 3A-74
The 1036 Sanitary Gauge fits into all sizes of the 1037 fitting

1037 INSTRUMENT FITTINGS



Pipe Size	A	B	C	D	L
1/2	0.38 [9.6]	0.98 [24.9]	0.87 [22]	0.31 [7.9]	5.25 [133.4]
3/4	0.63 [15.9]	0.98 [24.9]	1.00 [25]	0.43 [10.9]	5.25 [133.4]
1	0.87 [22.1]	1.98 [50.4]	1.13 [28.7]	0.55 [14.1]	4.75 [120.7]
1 1/2	1.37 [34.7]	1.98 [50.4]	1.13 [28.7]	0.81 [20.6]	5.50 [139.7]
2	1.86 [47.2]	2.51 [62.8]	1.13 [28.7]	1.06 [26.9]	7 [177.8]