

## Data Sheet

# 1008S 40mm & 50mm Stainless Steel Pressure Gauge

### FEATURES

- FlutterGuard™ reduces movement wear and pointer flutter
- Dry or liquid filled versions
- All welded stainless steel construction

### TYPICAL USES

- Pumps and Compressors
- OEM Equipment
- Hydraulic Tools
- Outdoor Installation
- Control Valves

### SPECIFICATIONS

Accuracy:	±3-2-3% of span (ASME, Grade B)
Dial Sizes:	40, 50mm
Ranges:	40mm: Vacuum, compound to 15,000 psi 50mm: Vacuum, compound to 20,000 psi
Process Connection Location:	Lower, Center Back
Process Connection Size:	1/8 NPT, 1/4 NPT, SAE-4 7/16 - 20, 1/8 BSP
Movement:	304 SS, Gear type
Mounting Hardware:	U-clamp, front flange
Dial:	Black figures on white background, aluminum
Pointer:	Black, aluminum
Weather Protection:	NEMA 4/IP66
Temperature Effects:	±0.04% of span per °C change; ref. temp. 20°C ±0.4% of span per 18°F change; ref. temp. 68°F
Overpressure/Proof Pressure:	1.25 X Range
Dampening:	FlutterGuard™ and throttle plugs
Approvals:	CRN, RoHS

#### MIN/MAX TEMPERATURE LIMITS

Version	Ambient	Process	Storage
Dry	-40°F to 200°F (-40°C to 93°C)	-40°F to 250°F (-40°C to 121°C)	-40°F to 250°F (-40°C to 121°C)
Glycerin Fill	20°F to 150°F (-7°C to 66°C)	20°F to 200°F (-7°C to 66°C)	0°F to 150°F (-18°C to 66°C)
Silicone Fill	-40°F to 150°F (-40°C to 66°C)	-40°F to 200°F (-40°C to 93°C)	-40°F to 150°F (-40°C to 66°C)
Halocarbon® Fill	-40°F to 150°F (-40°C to 66°C)	-40°F to 200°F (-40°C to 93°C)	-40°F to 150°F (-40°C to 66°C)



**1008S**  
40mm, 50mm dial size  
Lower connection



**1008S**  
40mm, 50mm dial size  
Center back connection  
with front flange



**1008S**  
40mm, 50mm dial size  
Center back connection  
with U-clamp



### KEY BENEFITS

- True Zero™ reduces reading errors by using a “zero box” instead of conventional dial pins
- Designed for limited space installations
- For severe outdoor and corrosive applications

### WETTED COMPONENTS

Bourdon Tube	Process Connection Material	Joints
316L SS	316 SS	Welded

### NON-WETTED COMPONENTS

Case	Ring	Window
304 SS	316 SS crimped	Polycarbonate, glass, shatterproof glass

# Data Sheet

## 1008S 40mm & 50mm Stainless Steel Pressure Gauge

ORDERING CODE	Example:	501008	S	L	02	L	XC4	100#
<b>Dial Size/Model Code</b>								
401008 - 40mm (1½") dial								
501008 - 50mm (2") dial		501008						
<b>System</b>								
S - 316L SS tube/316 SS process connection			S					
<b>Case Fill</b>								
Blank - Dry liquid fillable								
L - Liquid filled case (glycerin standard)				L				
<b>Process Connection Size</b>								
01 - ½ NPT Male								
02 - ¼ NPT Male (N/A on 40mm Lower Gauge)					02			
RW - SAE-4 7/16-20 straight thread (with washer, O-ring and nut)								
07 - ½ BSP (tapered)								
<b>Process Connection Location</b>								
L - Lower mount connection						L		
B - Center back connection								
T - Top connection								
D - Side connection (3 o'clock)								
E - Side connection (6 o'clock)								
<b>Options (if choosing an option(s) must include an "X")</b>								X__
<b>Dampening</b>								
GV - Silicone case fill								
GX - Halocarbon <sup>®</sup> case fill								
TU - Stainless steel throttle plug (.013 orifice) (Standard with liquid filled and Flutterguard 30 psi and above)								
ZY - FlutterGuard™								
<b>Case/Ring</b>								
FF - Front flange								
LJ - Liquid fillable dry gauge (throttle plug supplied)								
UC - U-clamp								
YW - 316L SS case and ring								
<b>Windows</b>								
RG - Glass (not available on liquid fill)								
SG - Safety glass								
<b>Other</b>								
6B - Cleaned for oxygen service (GX option required for liquid fill)								
C4 - Individual calibration chart (in accordance with ASME B 40.100 Accuracy of unit traceable to NIST)							C4	
NH - SS tag wired to case								
NN - Paper tag								
<b>Ranges (see range table on page 38 for all standard ranges)</b>								
<b>Single Scale</b>								
100# - 100 psi								100#

## Data Sheet

### 1008S 40mm & 50mm Stainless Steel Pressure Gauge

SINGLE SCALE					
	psi	bar	kPa	Mpa	kg/cm <sup>2</sup>
Vacuum	30IMV	N1BR	N100KP	NO.1MP	N1KG
	-	N1/0.6BR	N100/60KP	NO.1/0.6MP	N1/0.6KG
	30IMV&15#	-	-	-	-
Compound	-	N1/1.5BR	N100/150KP	NO.1/15MP	N1/1.5KG
	30IMV&30#	-	-	-	-
	-	N1/3BR	N100/300KP	NO.1/3MP	N1/3KG
	30IMV&60#	-	-	-	-
	-	N1/5BR	N100/&500KP	NO.1/5MP	N1/5KG
	-	-	-	-	-
	30IMV&100#	-	-	-	-
	-	N1/9BR	N100/900KP	NO.1/9MP	N1/9KG
	15#	1BR	100KP	0.1MP	1KG
	-	1.6BR	160KP	0.16MP	1.6KG
Positive Pressure	30#	-	-	-	-
	-	2.5BR	250KP	0.25MP	2.5KG
	60#	4BR	400KP	0.4MP	4KG
	-	6BR	600KP	0.6MP	6KG
	100#	-	-	-	-
	-	10BR	1000KP	1MP	10KG
	160#	-	-	-	-
	200#	-	-	-	-
	-	16BR	1600KP	1.6MP	16KG
	300#	-	-	-	-
	-	25BR	2500KP	2.5MP	25KG
	400#	-	-	-	-
	600#	40BR	4000KP	4MP	40KG
	800#	-	-	-	-
	-	60BR	6000KP	6MP	60KG
	1000#	-	-	-	-
	1500#	100BR	10000KP	10MP	100KG
	2000#	-	-	-	-
	-	160BR	16000KP	16MP	160KG
	3000#	-	-	-	-
-	250BR	25000KP	25MP	250KG	
4000#	-	-	-	-	
5000#	-	-	-	-	
6000#	400BR	40000KP	40MP	400KG	
-	600BR	60000KP	60MP	600KG	
8000#	-	-	-	-	
10000#	-	-	-	-	
15000#	1000BR	100000KP	100MP	1000KG	
(1) 20000#	1400BR	140000KP	140MP	1400KG	

(1) Only available on 50mm back connection gauge

# Data Sheet

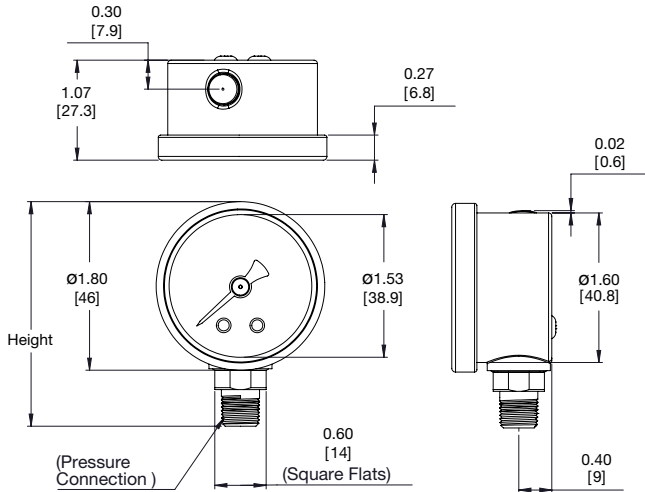
## 1008S 40mm & 50mm Stainless Steel Pressure Gauge

**DIMENSIONS** in [ ] are millimeters

For reference only, consult Ashcroft for specific dimensional drawings

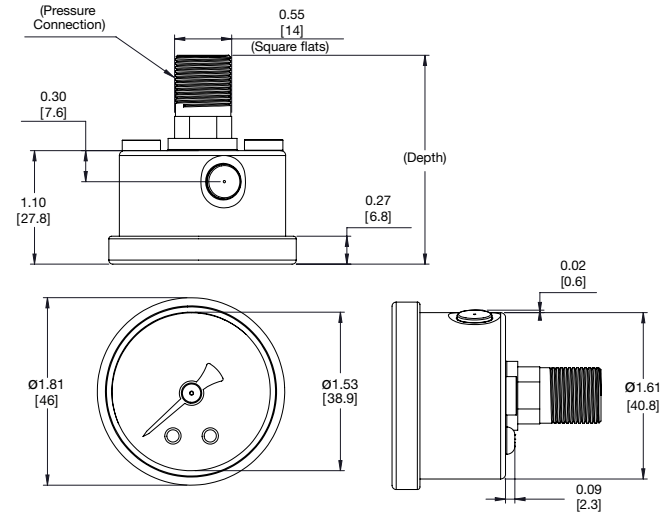
### 40mm 1008S 01L

Connection Code	Pressure Connection	Height in.
01	1/8" NPT	2.40 [61.2]



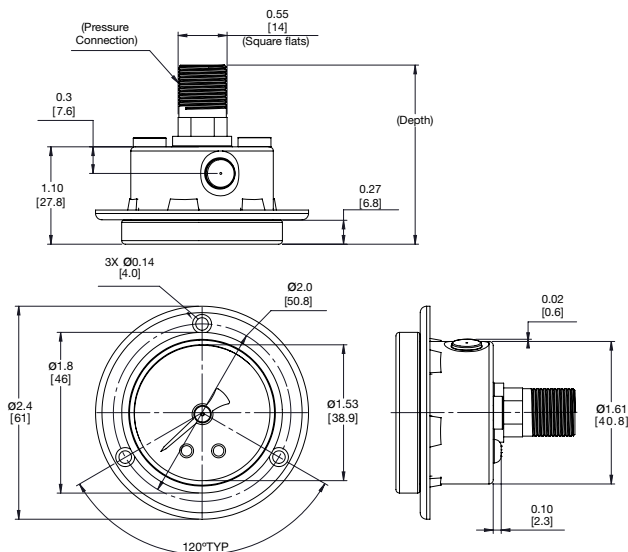
### 40mm 1008S 01B

Connection Code	Pressure Connection	Height in.
01	1/8" NPT	1.82 [46.2]
02	1/4" NPT	2.02 [51.2]



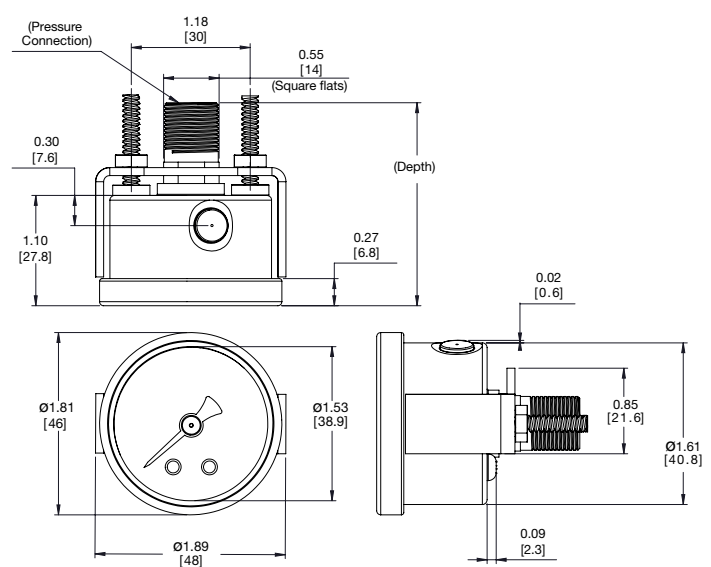
### 40mm 1008S XFF

Connection Code	Pressure Connection	Height in.
01	1/8" NPT	1.82 [46.2]
02	1/4" NPT	2.02 [51.2]



### 40mm 1008S 01B XUC

Connection Code	Pressure Connection	Height in.
01	1/8" NPT	1.82 [46.2]
02	1/4" NPT	2.02 [51.2]



### Panel Cutout Dimensions for 40mm Gauge

40mm (1 1/2")	Min. Cutout Dia.	Max. Cutout Dia.
XUC	1.65" [42]	1.69" [43]
XFF	1.73" [44]	1.77" [45]

# Data Sheet

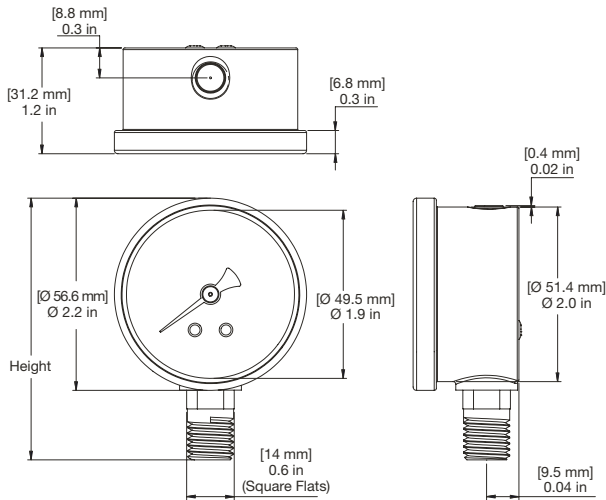
## 1008S 40mm & 50mm Stainless Steel Pressure Gauge

**DIMENSIONS** in [ ] are millimeters

For reference only, consult Ashcroft for specific dimensional drawings

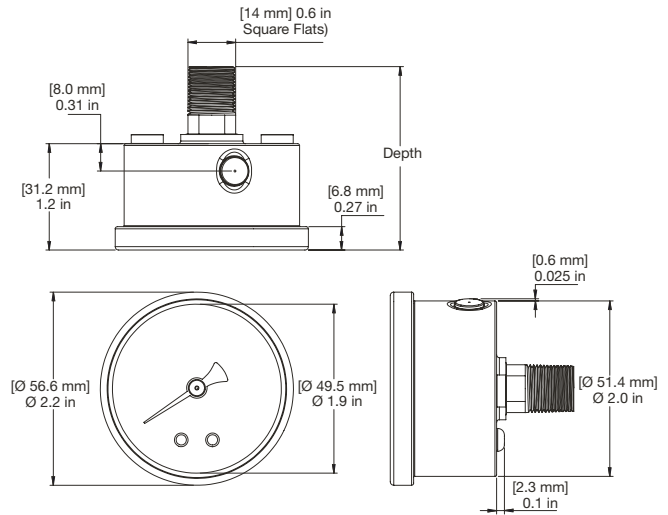
### 50mm 1008S 02L

Connection Code	Pressure Connection	Height in.
01	1/8 NPT	2.83 [72]
02	1/4 NPT	3.0 [77]



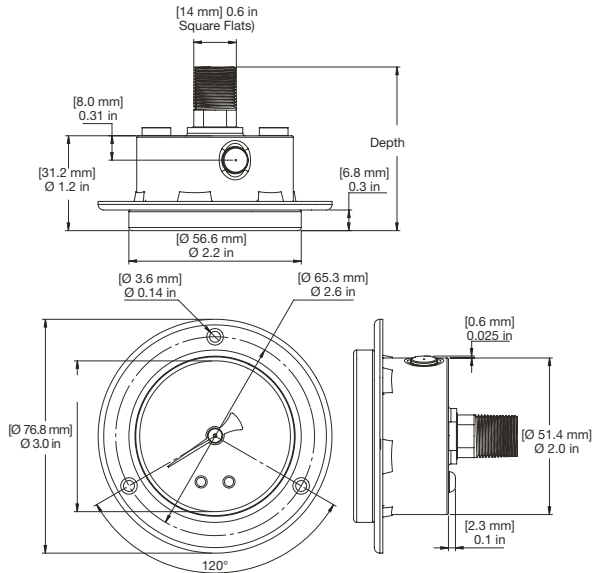
### 50mm 1008S 02B

Connection Code	Pressure Connection	Height in.
01	1/8 NPT	1.92 [48.7]
02	1/4 NPT	2.1 [53.7]



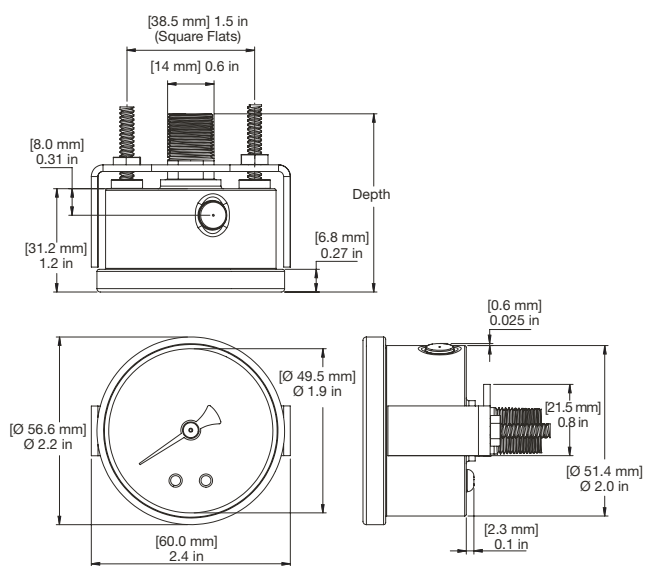
### 50mm 1008S 02B XFF

Connection Code	Pressure Connection	Height in.
01	1/8 NPT	1.92 [48.7]
02	1/4 NPT	2.1 [53.7]



### 50mm 1008S 02B XUC

Connection Code	Pressure Connection	Height in.
01	1/8 NPT	1.92 [48.7]
02	1/4 NPT	2.1 [53.7]



### Panel Cutout Dimensions for 50mm Gauge

50mm (2')	Min. Cutout Dia.	Max. Cutout Dia.
XUC	2.07" [52.5]	2.11" [53.5]
XFF	2.15 [54.5]	2.19 [55.5]