

Data Sheet

1008A/AL Pressure Gauge

FEATURES

- PowerFlex™ movement
- Meets ASME B40.100 specifications
- TrueZero™ a unique safety feature
- Available dry, liquid-fill or field-fillable versions
- Custom dials available
- Ventable fill plugs

TYPICAL USES

- Pumps and Compressors
- Hydraulics and Pneumatics
- OEM Equipment
- Pressure washers/sprayers
- Irrigation equipment

SPECIFICATIONS

Accuracy:	±3-2-3% of span (ASME B40.100, Grade B)
Sizes:	63mm (2½"), 100mm (4")
Ranges:	Vacuum, compound to 15,000 psi Equivalent metric ranges available
Process Connection Location:	Lower, center back
Process Connection Size:	¼ NPT
Dial:	Black figures on white background, aluminum
Pointer:	Black, aluminum
Movement:	PowerFlex™ movement, Brass/polyester segment
Dampening:	FlutterGuard™, Glycerin filled
Approvals:	CRN; IP66 rating; NEMA 4 for water and dust ingress

WETTED COMPONENTS

Bourdon Tube	Process Connection	Restrictor
Bronze (vac. compound to 6,000 psi), 316 SS (10,000 psi to 15,000 psi)	Brass/Soldered (Vacuum-6,000 psi), Brass/Brazed (10,000 psi-15,000 psi), O-ring Case Seal	Brass (0.013" orifice all ranges except vacuum & 15 psi)

NON-WETTED COMPONENTS

Case	Window	Ring
304 SS	Polycarbonate	304 SS, crimped



KEY BENEFITS

- Rugged construction suited for harsh environmental conditions
- Mounting kits allow for easy transition to a panel mount gauge
- Two-year warranty on liquid filled gauges
- Can be customized for a variety of applications

MIN/MAX TEMPERATURE LIMITS

Version	Ambient	Process	Storage
Dry	-40°F to 158°F (-40°C to 70°C)	-40°F to 158°F (-40°C to 70°C)	-40°F to 158°F (-40°C to 70°C)
Glycerin Fill	20°F to 158°F (-7°C to 70°C)	-4°F to 158°F (-20°C to 70°C)	-40°F to 158°F (-40°C to 70°C)
Silicone Fill	-40°F to 158°F (-40°C to 70°C)	-40°F to 158°F (-40°C to 70°C)	-40°F to 158°F (-40°C to 70°C)

Data Sheet

1008A/AL Pressure Gauge

ORDERING CODE	Example:	63	1008	A	02	L	XSF	100#
Size								
63 - 63 mm (2½")		63						
10 - 100 mm (4")								
Model								
1008			1008					
Case Design								
A - Dry				A				
AL - Liquid fill (glycerin standard)								
Process Connection Size								
02 - ¼ NPT male					02			
Process Connection Location								
B - Center back								
D - 3 o'clock (right side)								
E - 9 o'clock (left side)								
L - Lower						L		
T - Top								
Options (If choosing an option(s) must include an "X")								X_
BI - Black protective boot (63mm only)								
FF - Front flange								
GV - Silicone fill								
LJ - Sealed case, field fillable								
RF - Retrofit flange (Back connection only)								
RS - RoHS (EU Directives 2011/65/EU and 2015/863)								
SF - FlutterGuard™ (includes throttle plug – Dry Gauges only)								SF
UC - U-clamp (Back connection only)								
T4 - Throttle plug 0.007"								
T7 - Throttle plug 0.020"								
T9 - Throttle plug 0.063"								
Range (coding example, see Table 1 on page 3 for all standard ranges)								
Single Scales								
100# - 100 psi								100#

Data Sheet

1008A/AL Pressure Gauge

TABLE 1 - RANGES

PSI	CODE	BAR	CODE	KPA	CODE	KG/CM	CODE
30IMV/0	VAC	-1/0	VAC-ABE	-100/0	VAC-AGF	76cmHg/0	VAC-ADP
30IMV/15	15#&VAC					76cmHg/0/1	15/V-ADB
30IMV/30	30#&VAC	-1/0/1.5	30/V-AAS	-100/0/150	30/V-AFT	76cmHg/0/2	30/V-ADD
30IMV/60	60#&VAC	-1/0/3	60#-AAV	-100/0/300	60/V-AFV	76cmHg/0/3	60/V-BEI
						76cmHg/0/4	60/V-ALQ
30IMV/100	100#&VAC	-1/0/5	100/V-AAW	-100/0/500	100/V-AFX	76cmHg/0/6	100/V-BEJ
30IMV/160	160#&VAC	-1/0/9	160/V-AAZ	-100/0/900	160/V-AFZ	76cmHg/0/10	160/V-ADI
		-1/0/15	200/V-ABB			76cmHg/0/15	200/V-BEK
30IMV/300	300#&VAC	-1/0/24	300/V-AUG			76cmHg/0/20	300/V-BEL
0/15	15#	0/1	15#-AAA	0/200	15#-AFB	0/1	15#-ACK
				0/160	20#-AFC		
0/30	30#	0/1.6	30#-AAB	0/100	30#-AFD	0/2	30#-ACM
		0/2.5	30#-AAD	0/250	30#-AFE	0/3	45#-ACO
0/60	60#	0/4	60#-AAF	0/400	60#-AFG	0/4	60#-ACP
0/100	100#	0/6	100#-AAG	0/600	100#-AFH	0/6	100#-ACQ
		0/7	100#-AAH	0/800	120#-BAT		
0/160	160#	0/10	160#-AAI	0/1000	160#-AFJ	0/10	160#-ACS
0/200	200#	0/16	200#-AAL	0/1600	200#-AFM	0/15	200#-BEA
0/300	300#					0/20	300#-BEB
0/400	400#	0/25	400#-AAN	0/2500	400#-AFO	0/25	400#-ACX
0/600	600#	0/40	600#-AAP	0/4000	600#-AFQ	0/35	600#-BEC
						0/40	600#-ACZ
						0/50	600#-BED
0/1000	1000#	0/60	1000#-AMK	0/6000	1000#-BAU	0/50	1000#-ANA
				0/8000	1000#-BAV	0/70	1000#-ANB
0/1500	1500#	0/100	1500#-AMM	0/10,000	1500#-ATK	0/100	1500#-ANC
0/2000	2000#			0/16,000	2000#-BAW	0/150	2000#-BEE
0/3000	3000#	0/160	3000#-AMO			0/160	3000#-ACE
0/4000	4000#	0/250	4000#-AMQ	0/25,000	4000#-BAX	0/250	4000#-ACG
0/5000	5000#					0/350	5000#-BEF
0/6000	6000#	0/400	6000#-AUE	0/40,000	6000#-ATU		
						0/500	6000#-BEG
0/10,000	10000#			0/60,000	10000#-BAY	0/700	10000#-BEH
0/15,000	15000#			0/80,000	10000#-BAZ		

FOR DUAL SCALE RANGES CONSULT FACTORY

Data Sheet

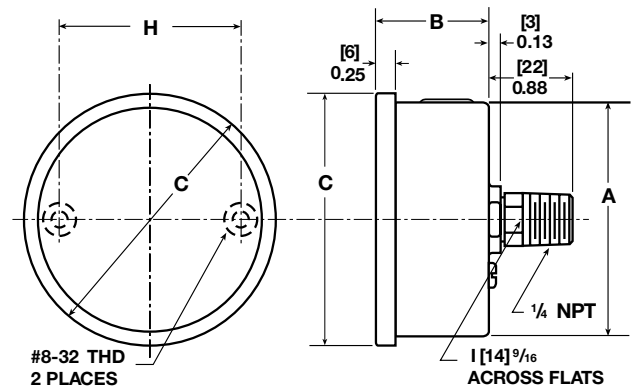
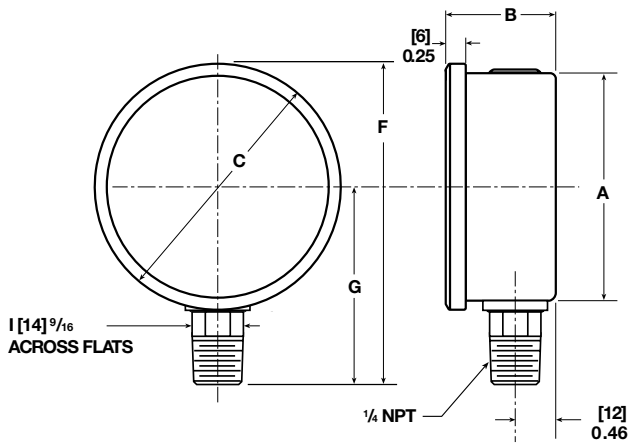
1008A/AL Pressure Gauge

DIMENSIONS in [] are millimeters

For reference only, consult Ashcroft for specific dimensional drawings

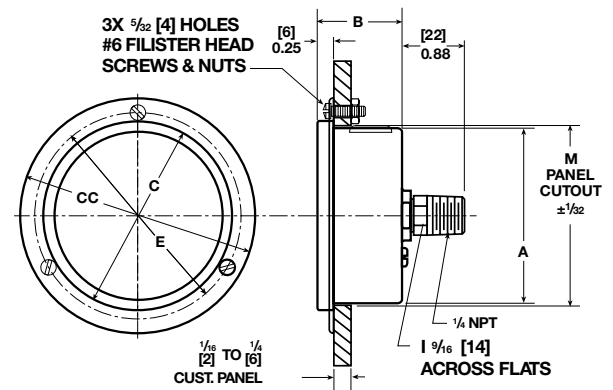
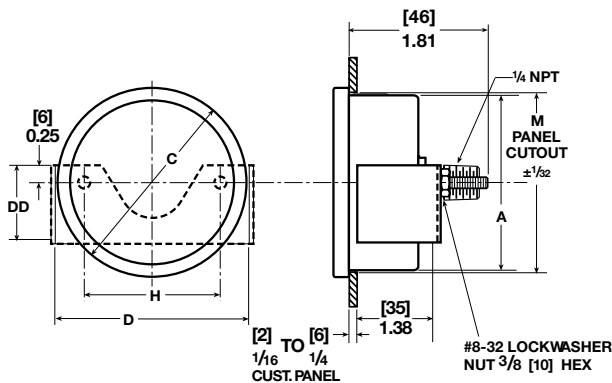
Lower Connection							
Size/Type	A	B	C	F	G	Weight oz / kg	
						Dry	Wet
63mm	[63] 2.48	[31] 1.21	[69] 2.71	[90] 3.54	[56] 2.20	3.88 oz 0.110 kg	7.48 oz 0.212 kg
100mm	[100] 3.94	[31] 1.24	[106] 4.16	[126] 4.96	[74] 2.92	8.11 oz 0.230 kg	15.80 oz 0.448 kg

Back Connection						
Size/Type	A	B	C	H	Weight oz / kg	
					Dry	Wet
63mm	[63] 2.48	[31] 1.21	[69] 2.71	[49] 1.94	4.09 oz 0.116 kg	7.69 oz 0.218 kg
100mm	[100] 3.94	[31] 1.24	[106] 4.16	[76] 3.00	7.13 oz 0.202 kg	14.82 oz 0.420 kg



Back Connection (XUC) U-Clamp								
Size/Type	A	C	D	DD	H	M	Weight oz / kg	
							Dry	Wet
63mm	[63] 2.48	[69] 2.71	[75] 2.95	[28] 1.12	[49] 1.94	[65] 2.54	4.09 oz 0.116 kg	7.69 oz 0.218 kg
100mm	[100] 3.94	[106] 4.16	[107] 4.20	[28] 1.12	[76] 3.00	[101] 3.97	7.13 oz 0.202 kg	14.82 oz 0.420 kg

Back Connection (XFF) Front Flange							
Size/Type	B	C	CC	E	M	Weight oz / kg	
						Dry	Wet
63mm	[31] 1.21	[69] 2.71	[86] 3.36	[75] 2.95	[65] 2.54	4.09 oz 0.116 kg	7.69 oz 0.218 kg
100mm	[31] 1.24	[106] 4.16	[133] 5.22	[116] 4.57	[101] 3.97	7.13 oz 0.202 kg	14.82 oz 0.420 kg



Data Sheet

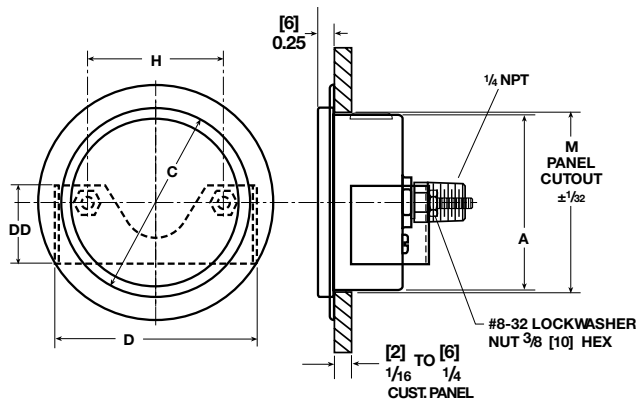
1008A/AL Pressure Gauge

DIMENSIONS in [] are millimeters

For reference only, consult Ashcroft for specific dimensional drawings

Back Connection (XRF) Front Flange Retrofit

Size/ Type	A	C	D	DD	H	M	Weight oz / kg	
							Dry	Wet
63mm	[63] 2.48	[69] 2.71	[75] 2.95	[28] 1.12	[49] 1.94	[65] 2.54	4.09 oz 0.116 kg	7.69 oz 0.218 kg
100mm	[100] 3.94	[106] 4.16	[107] 4.20	[28] 1.12	[76] 3.00	[101] 3.97	7.13 oz 0.202 kg	14.82 oz 0.420 kg



RUBBER BOOT - (63mm only)

DIMENSIONS in [] are millimeters

