

DJ-CIP 系列自吸泵

DJ-CIP series self-priming pump

高效率、低噪音、大吸程、维护简单、高洁净的解决方案
Solution for high efficiency, low noise, large suction, simple maintenance, high purity



CIP-U-系列自吸泵
CIP-U-series self-priming pump



CIP-L-系列自吸泵
CIP-L-series self-priming pump

随着市场需求的变化和技术的发展，我们希望在高洁净泵领域中树立新的技术标准，为此我们借助了流体学软件分析和我们20多年的制造及工程应用的经验，进行一系列的技术升级和优化。

DONJOY DJ-CIP-U/L 系列自吸泵不仅优化了内部结构、叶轮设计、死角处理、机封压力平衡设计且机封完全被处在冲洗区域。我们还对泵外部卫生也进行了优化，使其内部更加卫生、外部减少死角，由于没有死角区域，它非常容易被CIP清洗、SIP杀菌等。另外我们对DJ-CIP系列泵保持了最大的灵活性组合应用，如，泵出口角度可以从0° -135° 之间任意调整，这样对泵维护和保养及机封的更换，保持了高效，降低了人员高度专业性的要求，而这些无需特殊的工具。因而达到了、高效、卫生、高可靠性及低成本的目的，使DJ-CIP系列泵成为一款高性能的自吸泵。

With the changes in market demand and the development of technology, we hope to establish new technical standards in the field of high-clean pumps. For this reason, we have used a series of fluids software analysis and our more than 20 years of experience in manufacturing and engineering applications, to perform a series of technical upgrades and optimizations.

DONJOY DJ-CIP-U/L series self-priming pump not only optimizes the internal structure, impeller design, dead angle treatment, machine seal pressure balance design and the machine seal is completely in the flushing area. We also optimized the external hygiene of the pump to make it more hygienic and reduce the dead angle inside. Because there is no dead zone, it is very easy to be cleaned by CIP, SIP sterilization and so on. In addition, we have maintained the most flexible combination of DJ-CIP series pumps. For example, the pump outlet angle can be adjusted from 0° to 135°, which keeps the pump maintenance and servicing and machine seal replacement efficient. The requirement for a high degree of professionalism is reduced, and these do not require special tools. Therefore, the goal of achieving high efficiency, hygiene, high reliability and low cost is to make the DJ-CIP series pump a high performance self-priming pump.

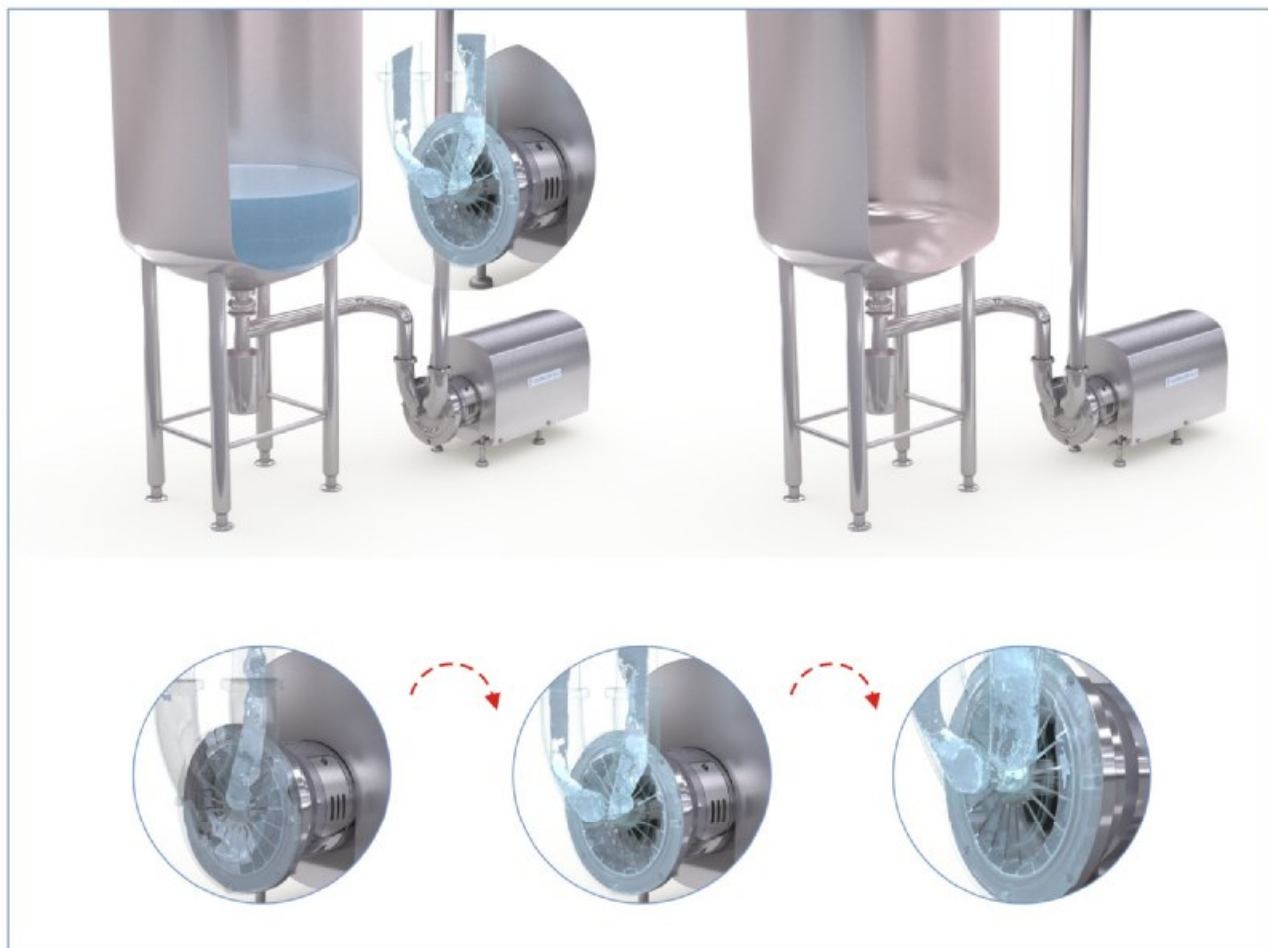
技术参数 Technical Specifications

最大流量 Max Flow rate	40m ³ /h
最高扬程 Max Head	42M
最大吸程 Max suction	8M
温度 Temperature	-20°C到130°C / -20°C to 130°C
功率 power	2.2-15KW
材质 Material	304 /316L, 1.431/1.4404, ASME BPE 316L, 1.4435 NB2 Fe≤0.5%
表面处理 Surface treatment	≤ Ra0.8 μ m, ≤ Ra0.6 μ m, ≤ Ra0.4 μ m
机封 Mechanical seal	单机封、双机封 Single seal, double seal (见配置方案 see configuration scheme)
进/出口连接 Inlet/Outlet Connection	螺纹、卡箍、法兰、无菌法兰, Thread, clamp, flange, Aseptic flange
认证 Certification	3-A-02-10(N.O.1579); MD/05/42-EC (N.O.70521616101-00); FDA 177.2600; USP CLASS-II; EG/VO1935/2004

DJ-CIP 系列自吸泵

DJ-CIP series self-priming pump

典型的应用 Typical Application



CIP系列各种应用

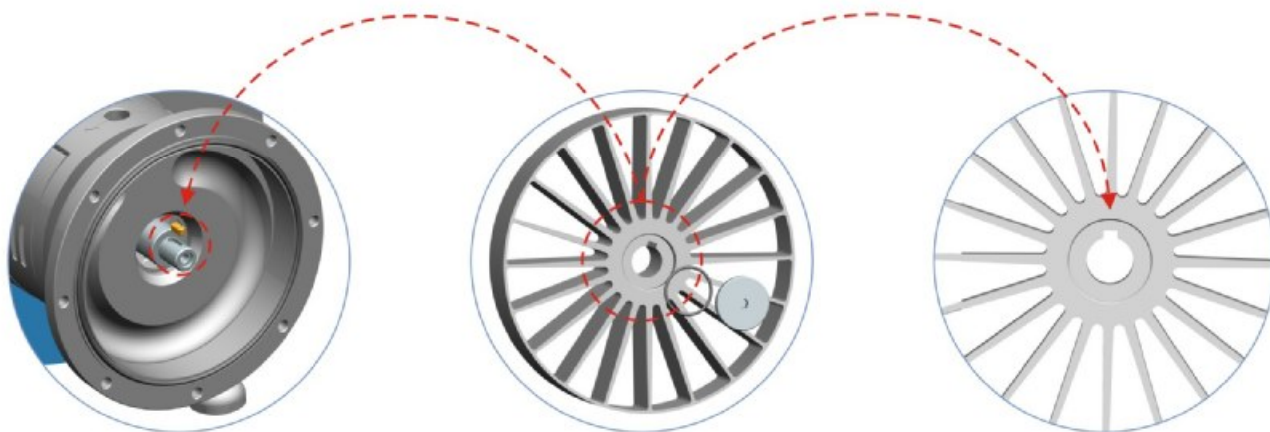
- 超强的自吸能力吸程高达8M，负压最高可达-0.8bar
- CIP解决方案
- 储罐清空
- 低液位高达8米抽取

Various Applications of CIP Series

- Superior self-priming capacity up to 8M, negative pressure can be -0.8bar
- CIP solution
- Tank emptying
- Low liquid level can be 8 meters suction



非常简单的维护、无需专用工具、专业人员
 Very simple maintenance, no special tools required,
 no professionals required



技术优势

- 维护拆卸和安装时，无需专业人员和专用工具，即可完成。
- 初始使用安装调试时，即使出现短暂反向旋转也不会损坏。
- 叶轮和轴之间是通过键槽连接固定，叶轮和机封动环之间是通过销钉固定，机封静环和泵体之间是通过异形法兰固定。
- 兼容单机封和双机封，只需要更换机封即可实现。

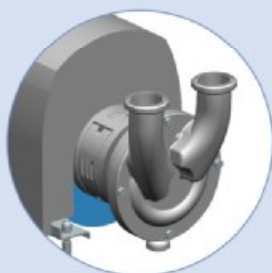
Technical Advantages

- Maintenance disassembly and installation can be completed without professional staff and special tools.
- Initial use of installation debugging, even if a short reverse rotation will not be damaged.
- Impeller and shaft are connected by keyway; impeller and mechanical seal rotating ring are connected by pin; mechanical seal static ring and pump body are connected by special-shaped flange.
- Compatible with single and double machine seal, only need to change machine seal.

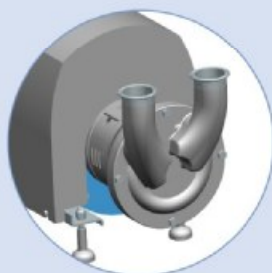
DJ-CIP 系列自吸泵各种配置

DJ-CIP series self-priming pump various configurations

DJ-CIP-U 系列自吸泵各种配置 DJ-CIP-U series self-priming pump various configurations



螺纹连接
Threaded connection



卡箍连接
Clamp connection

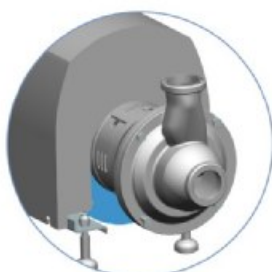


螺母连接
Nut connection



无菌法兰(DIN 11864)进/出口
Aseptic Flange
(DIN 11864) Inlet/Outlet

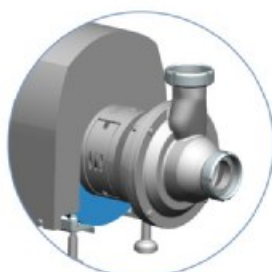
DJ-CIP-L 系列自吸泵各种配置 DJ-CIP-L series self-priming pump various configurations



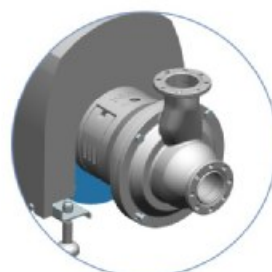
螺纹连接
Threaded connection



卡箍连接
Clamp connection



螺母连接
Nut connection



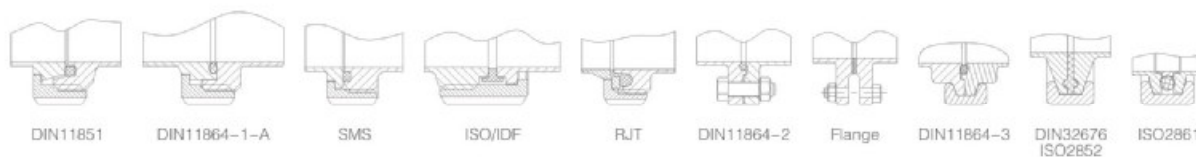
无菌法兰(DIN 11864)进/出口
Aseptic Flange
(DIN 11864) Inlet/Outlet

泵进口/出口连接标准

连接方式：螺纹、卡箍、法兰、无菌法兰、KF、等。
标准：DIN SMS ISO IDF RJT ASME BPE 3A I-line

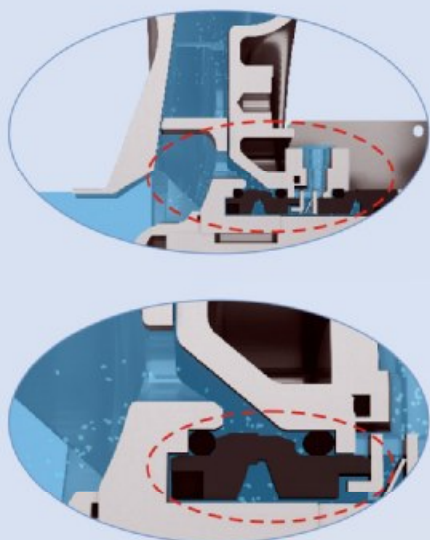
Pump Inlet/outlet Connection Standard

Connection: Thread, Clamp, Flange, Aseptic flange, KF etc.
Standard: DIN SMS ISO IDF RJT ASME BPE 3A I-line



DJ-CIP 系列自吸泵机封设计

DJ-CIP series self-priming pump mechanical seal design



机封系统

DONJOY DJ-CIP 系列自吸泵机封，联合欧洲瑞典著名公司合作研发，机封设计具有压力平衡设计、超长使用寿命、极易拆装维护、无需特殊专用工具，卫生洁净符合和认证：欧盟EHEDG，美国 3-A-02-11，FDA1772600等高洁净要求。并有丰富的机封配置方案。

Mechanical Seal System

Donjoy DJ-CIP series self-priming pump mechanical seal is researched and developed together with European Swedish famous company. The mechanical seal is designed with pressure balance and super long working life, can be disassembled and maintained easily without special tools. The sanitary purity is according to EU EHEDG, USA 3-A-02-11, FDA1772600 and so on. and has lots of configuration.

机封配置 Mechanical Seal Configuration

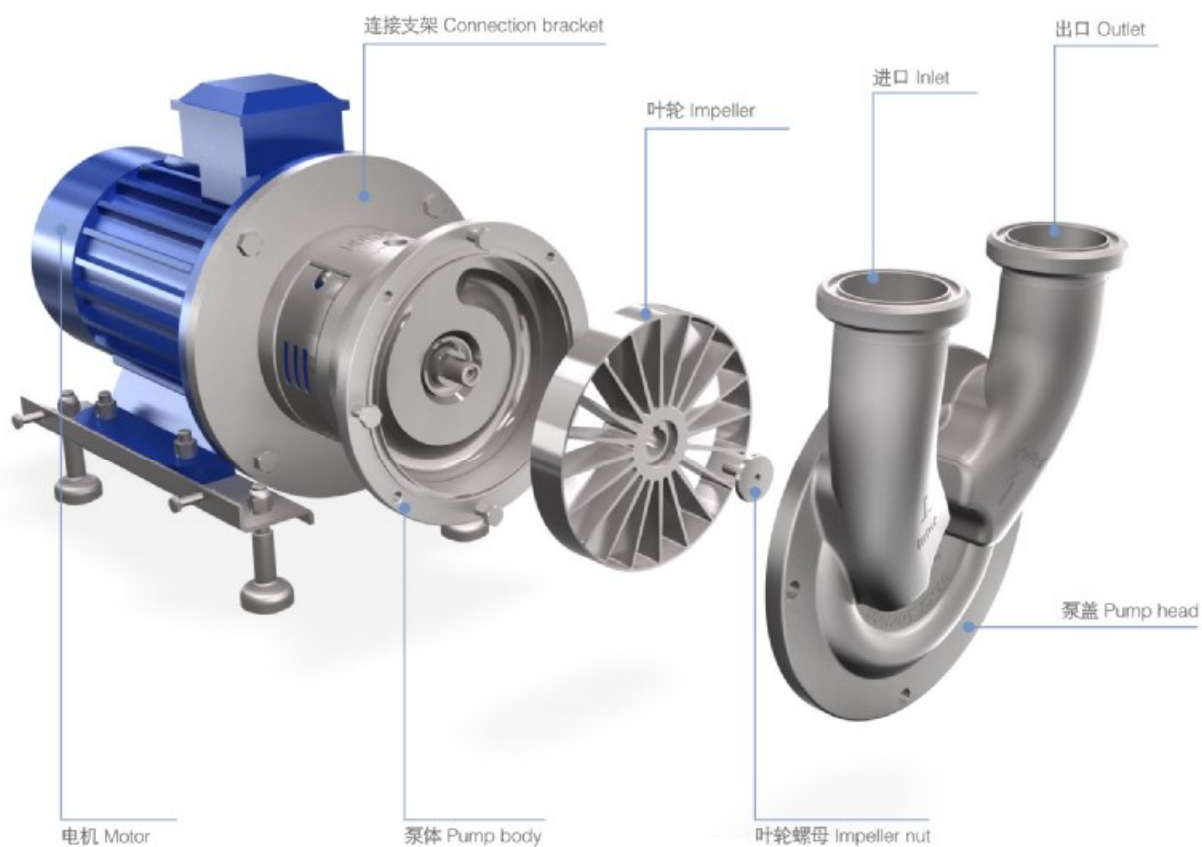
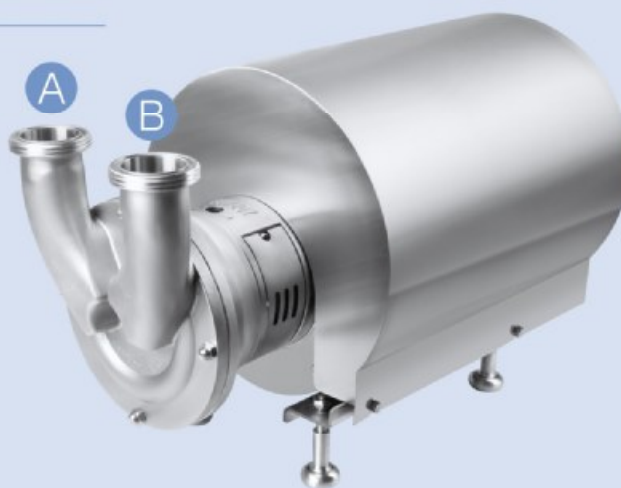
1)SIC/C/EPDM	标准配置Standard
2)SIC/C/FKM	选型配置Optional
3)SIC/C/HNBR	
4)SIC/SIC/EPDM	
5)SIC/SIC/FKM	
6)SIC/SIC/HNBR	
7)TC/TC/EPDM	
8)TC/TC/FKM	
9)TC/TC/HNBR	

注意：以上配置适用于单机封和双机封。
Note: Above configurations is suitable for single and double mechanical seal

DJ-CIP 系列自吸泵 DJ-CIP series self-priming pump

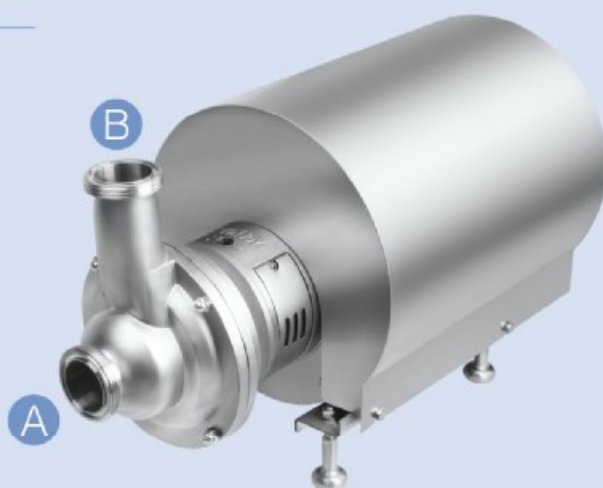
CIP-U 系列自吸泵 CIP-U series Self-priming Pump

A口=进口
B口=出口
A port = Inlet
B port =outlet



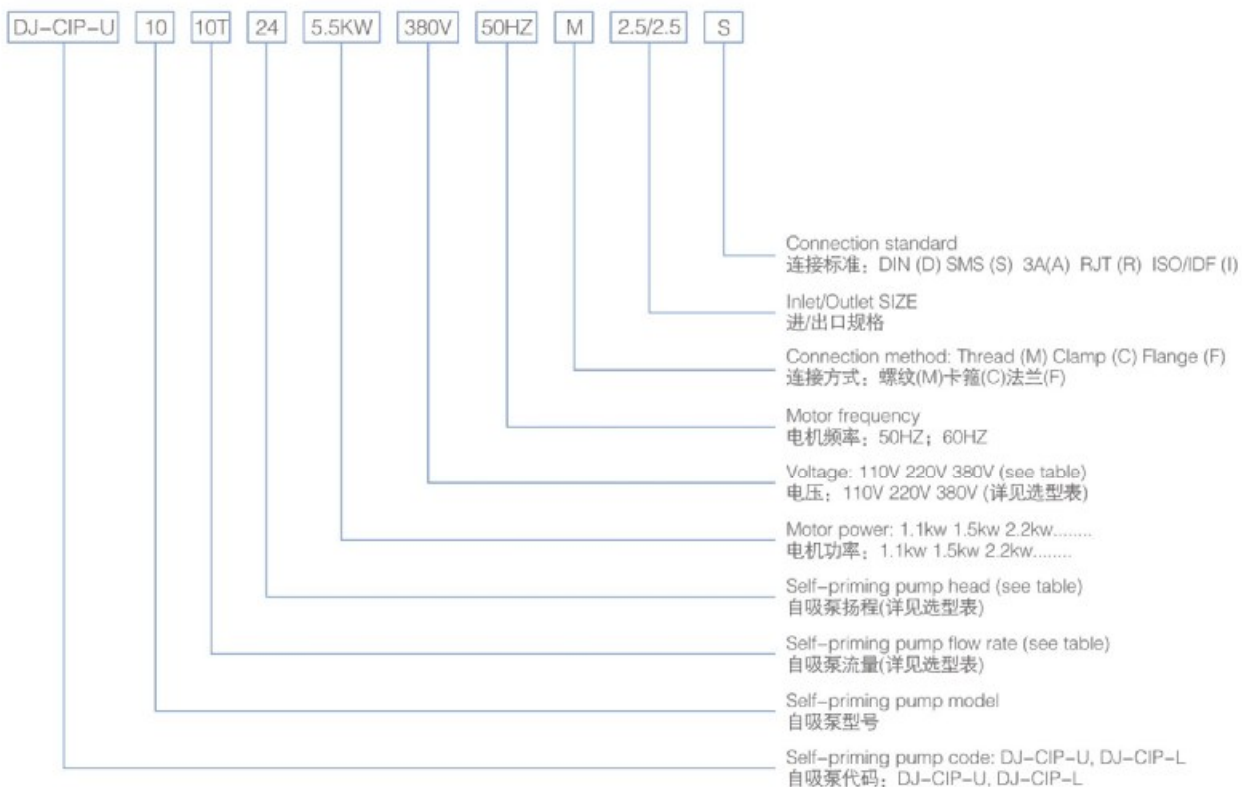
CIP-L 系列自吸泵
CIP-L series self-priming pump

A口=进口
B口=出口
A port = Inlet
B port =outlet



DJ-CIP 自吸泵型号说明

DJ-CIP self-priming pump model instruction



For example:
 举例: DJ-CIP-U-10-10T-24-5.5KW-380V-50HZ-M-2.5"/2.5"-S

DJ-CIP 系列自吸泵选型表 DJ-CIP series self-priming pump selection table

CIP-U 系列自吸泵选型表 CIP-U series self-priming pump selection table

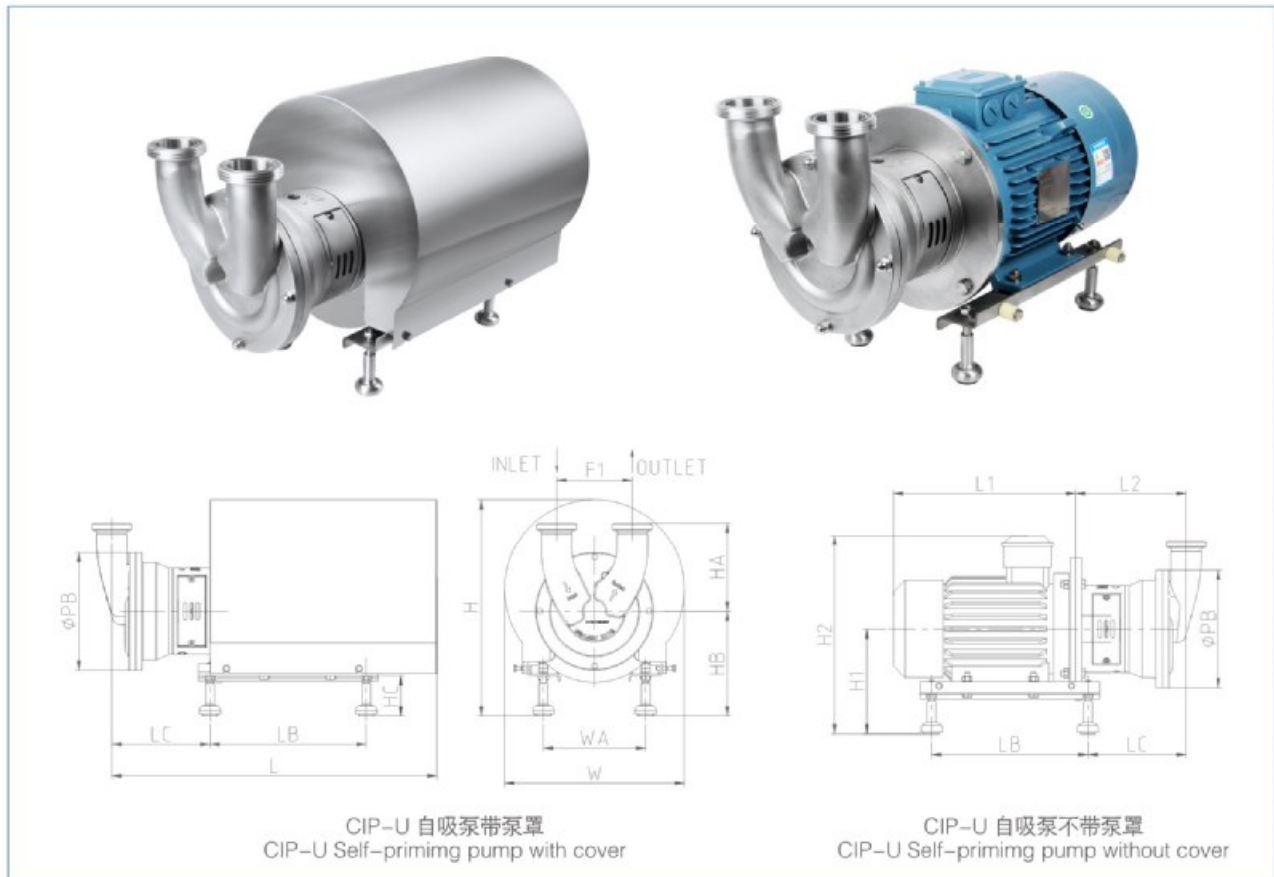
型号 Model	功率 Power	流量(m³/h) Flow	扬程(M) Head	进口负压(bar) Inlet port negative pressure	进口 Inlet	出口 Outlet	重量(KG) weight
DJ-CIP-U-10	5.5KW	20	11	-0.72	2.5"	2.5"	87.2
		15	18				
		10	24				
DJ-CIP-U-20	7.5kw	25	17	-0.65	2.5"	2.5"	96.1
		20	22				
		18	24				
		15	28				
	11kw	10	34				140.1
		5	38				
DJ-CIP-U-30	11kw	35	19	-0.8	2.5"	2.5"	152.2
		30	24				
		25	30				
		21	33				
	15kw	16	38				165.2
		11	42				

CIP-L 系列自吸泵选型表 CIP series self-priming pump selection table

型号 Model	功率 Power	流量(m³/h) Flow	扬程(M) Head	进口负压(bar) Inlet port negative pressure	进口 Inlet	出口 Outlet	重量(KG) weight
CIP-L-05	2.2KW	10	15	-0.56	2"-DN50	2"-DN50	45.9
	2.2KW	8	18				
	3.0KW	5	20				54.9
CIP-L-10	5.5KW	20	11	-0.72	2.5"-DN65	2.5"-DN65	89
	5.5KW	15	18				
	5.5KW	10	24				
CIP-L-20	7.5KW	25	17	-0.65	3"	2.5"	95
	7.5KW	20	22				
	7.5KW	18	24				
	7.5KW	15	28				
	11.0KW	10	34				139
		5	38				
CIP-L-30	11.0KW	35	19	-0.8	3"	2.5"	150
	11.0KW	30	24				
	11.0KW	25	30				
	11.0KW	21	33				
	15.0KW	16	38				163
		11	42				

CIP-U 系列自吸泵数据表

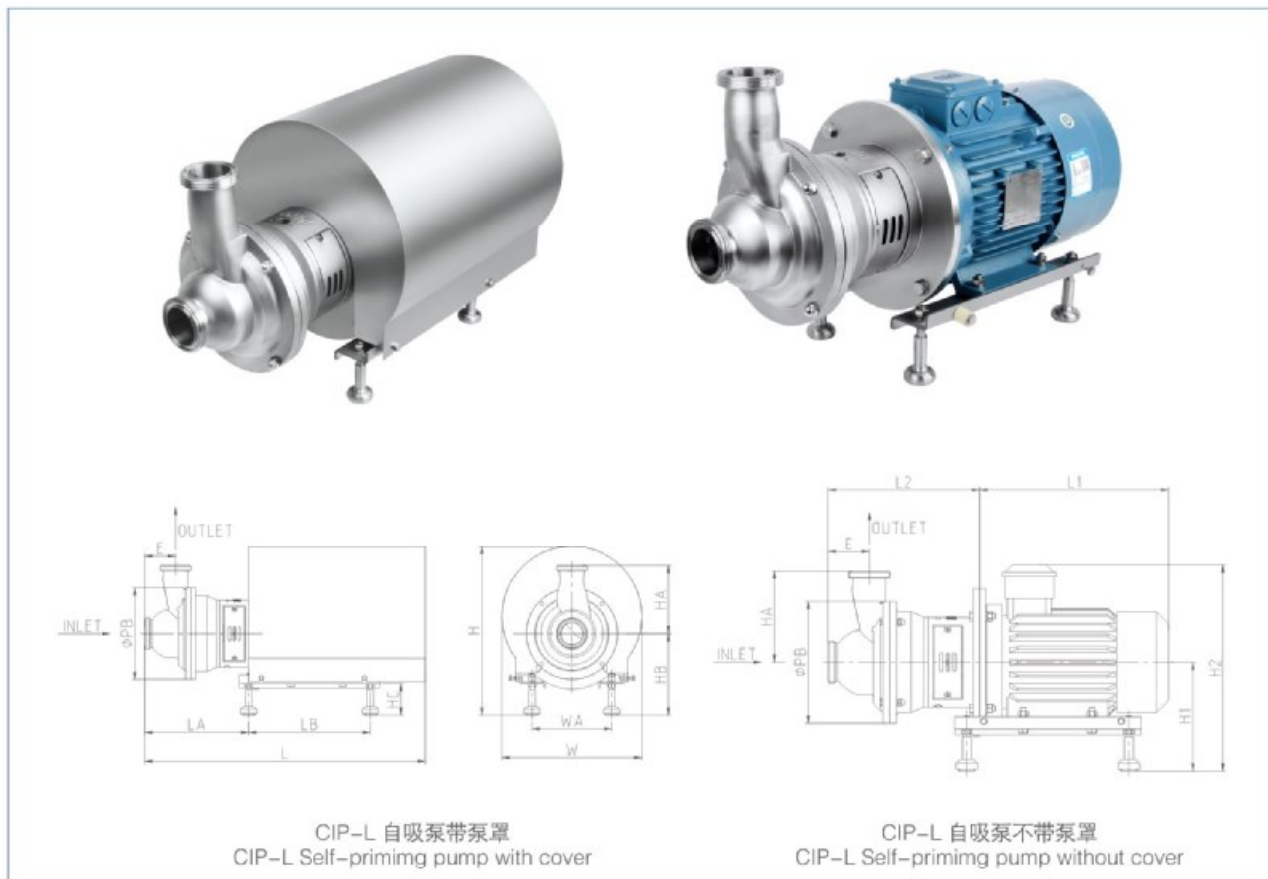
CIP-U series self-priming pump data sheet



外形安装尺寸 Assembly Dimension																	进出口连接方式 Connection way of inlet/outlet		
型号 Model	功率(KW) Power	进口 Inlet	出口 Outlet	F1	L	LB	LC	H	HB	HC	W	WA	L1	L2	H1	H2	SMS螺纹 (Thread)	卡箍 (Clamp)	DIN螺纹 (Thread)
																	HA	HA	HA
CIP-U-10	5.5	2.5"	2.5"	160	687	330	207	468	231	95	380	216	385	233.4	428	231	187	180	186
CIP-U-20	7.5	2.5"	2.5"	160	698	370	219	468	231	95	380	216	425	245	434	231	203	196	204
	11	2.5"	2.5"	160	801	450	226	551	231	95	470	254	490	245	510	259	203	196	204
CIP-U-30	11	2.5"	2.5"	160	805	450	231	561	260	95	470	254	490	274	510	259	211	202	210
	15	2.5"	2.5"	160	805	450	231	561	260	95	470	254	490	274	510	259	211	202	210

CIP-L 系列自吸泵数据表

CIP-L series self-priming pump data sheet

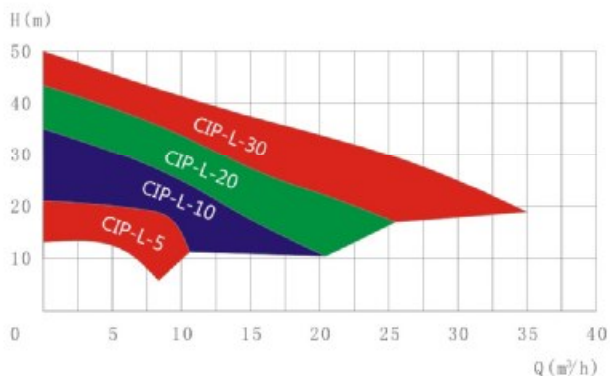


型号 Model	功率(KW) Power	进口 Inlet	出口 Outlet	外形安装尺寸 Assembly Dimension								进出口连接方式 Connection way of inlet/outlet								
				LB	H	HB	HC	W	WA	L1	L2	H2	SMS由任连接 SMS Union connection				INCH卡箍连接 INCH Clamp connection			
													E	LA	L	HA	E	LA	L	HA
CIP-L-05	2.2	2"	2"	300	413	218.5	95	320	160	320	275	388	71	233	658	142	63.7	225.7	650.7	134.7
CIP-L-05	3.0	2"	2"	300	413	218.5	95	320	160	320	275	388	71	233	658	142	63.7	225.7	650.7	134.7
CIP-L-10	5.5	2.5"	2.5"	330	468	231	95	380	216	385	308	428	81	282	762	185	69.7	270.7	750	173.7
CIP-L-20	7.5	3"	2.5"	370	468	227	95	380	216	425	329	434	97	303	780	204	84.7	290.7	768	192.7
CIP-L-20	11.0	3"	2.5"	450	551	227	95	470	254	490	329	510	97	303	882	204	84.7	290.7	870	192.7
CIP-L-30	11.0	3"	2.5"	450	551	260	95	470	254	490	356	510	97	313	885	211	84.7	300.7	873	199.7
CIP-L-30	15.0	3"	2.5"	450	551	260	95	470	254	490	356	510	97	313	885	211	84.7	300.7	873	199.7

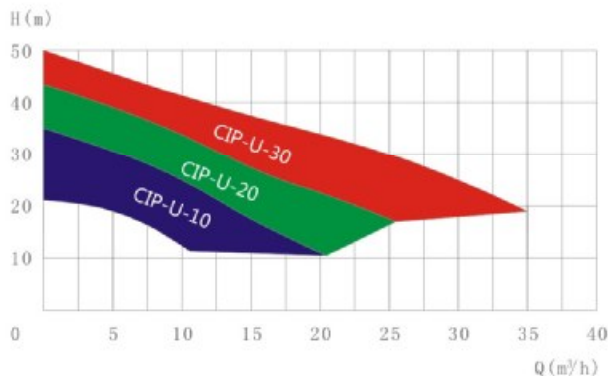
DJ-CIP 系列自吸泵综合曲线图

DJ-CIP series self-priming pump comprehensive graph

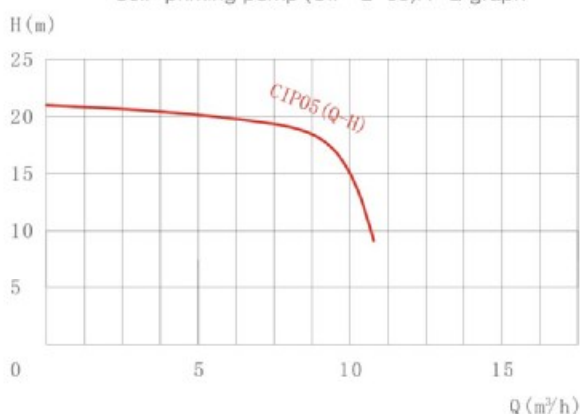
自吸泵(CIP-L-10/20/30)H-Q曲线图
Self-priming pump (CIP-L-10/20/30)H-Q graph



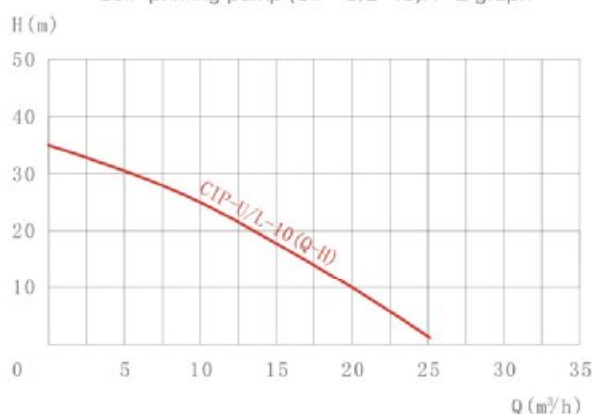
自吸泵(CIP-U-10/20/30)H-Q曲线图
Self-priming pump (CIP-U-10/20/30)H-Q graph



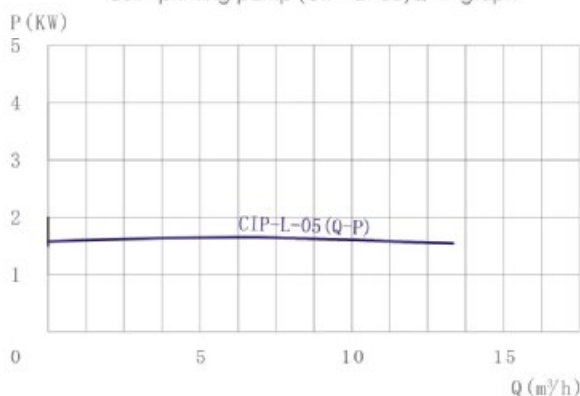
自吸泵(CIP-L-05)H-Q曲线图
Self-priming pump (CIP-L-05)H-Q graph



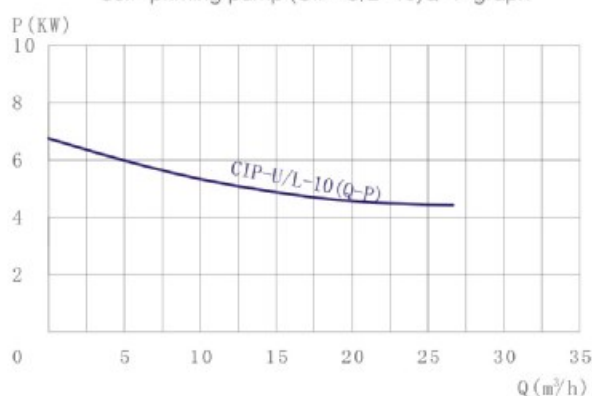
自吸泵(CIP-U/L-10)H-Q曲线图
Self-priming pump (CIP-U/L-10)H-Q graph



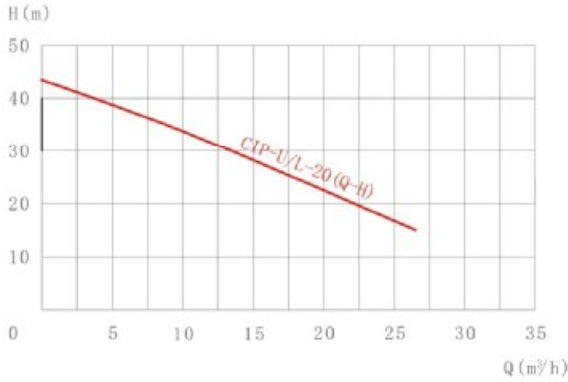
自吸泵(CIP-L-05)Q-P曲线图
Self-priming pump (CIP-L-05)Q-P graph



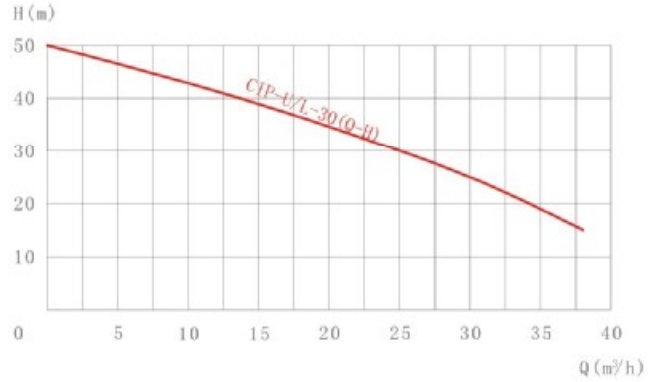
自吸泵(CIP-U/L-10)Q-P曲线图
Self-priming pump (CIP-U/L-10)Q-P graph



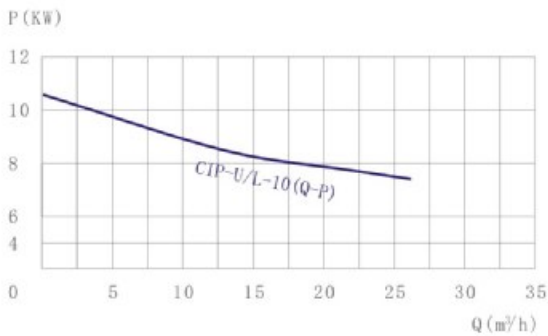
自吸泵(CIP-U/L-20)H-Q曲线图
Self-priming pump (CIP-U/L-20)H-Q graph



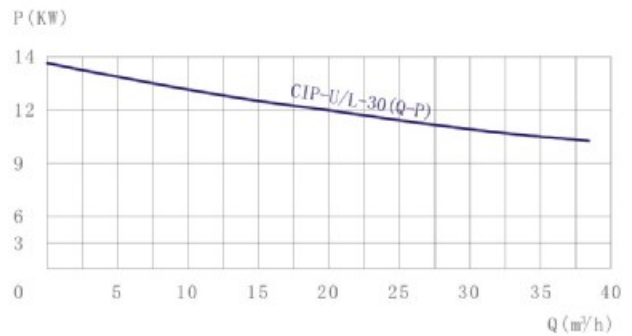
自吸泵(CIP-U/L-30)H-Q曲线图
Self-priming pump (CIP-U/L-30)H-Q graph



自吸泵(CIP-U/L-20)Q-P曲线图
Self-priming pump (CIP-U/L-20)Q-P graph



自吸泵(CIP-U/L-30)Q-P曲线图
Self-priming pump (CIP-U/L-30)Q-P graph



测试条件: 介质清水, 温度20℃, 叶轮转速2900 R.P.M
Q-流量(m³/h), H-扬程(M), P-功率(KW)。

Testing condition: medium water, temperature 20 °C, impeller speed 2900 RPM
Q-Flow rate (m³/h), H-head (meter), P-power (KW).

