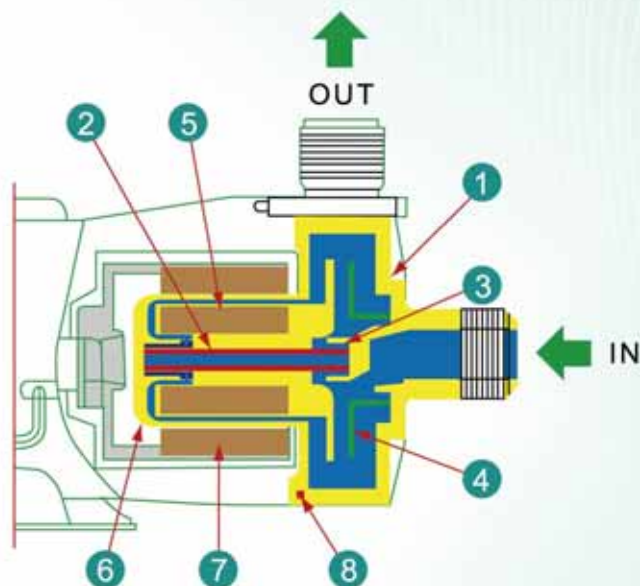


Magnetic Drive Pump TMD-06~25



Structural Drawing :



Parts & Materials Table

| Type | TMD-06~25P | | TMD-06~25F | |
|------------------|------------|------|------------|------|
| | AC | AL | AC | AL |
| Solution | AC | AL | AC | AL |
| Parts | Material | | Material | |
| 1.Front Casing | GFRPP | | CFRPVDF | |
| 2.Spindle | CERAMIC | | CERAMIC | |
| 3.Bearing | PTFE | | PTFE | |
| 4.Impeller | GFRPP | | CFRPVDF | |
| 5.Magnet Capsule | FERRIC | | FERRIC | |
| 6.Rear Casing | GFRPP | | CFRPVDF | |
| 7.Drive Magnet | FERRIC | | FERRIC | |
| 8.O-Ring | VITON | EPDM | VITON | EPDM |

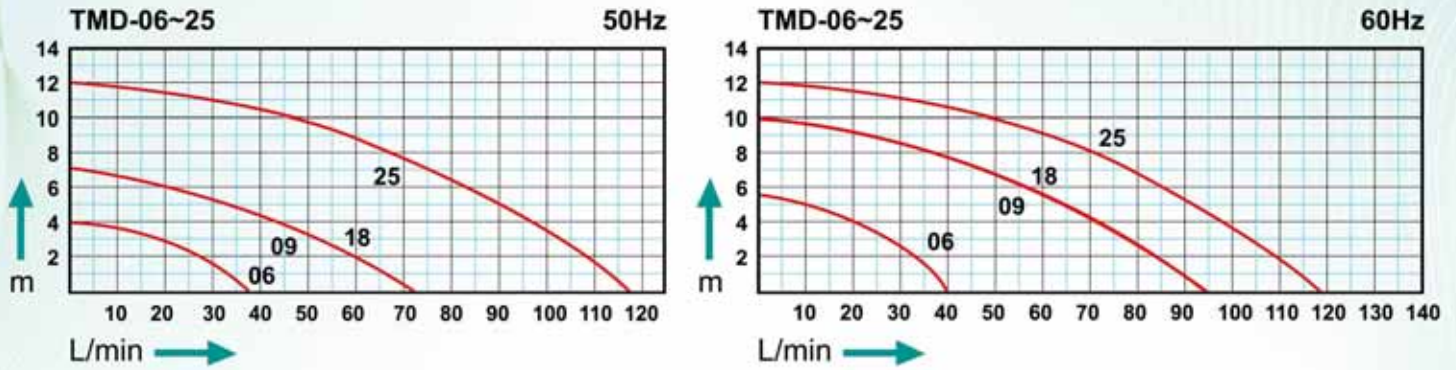
Specification & Performance Table

50Hz / 60Hz

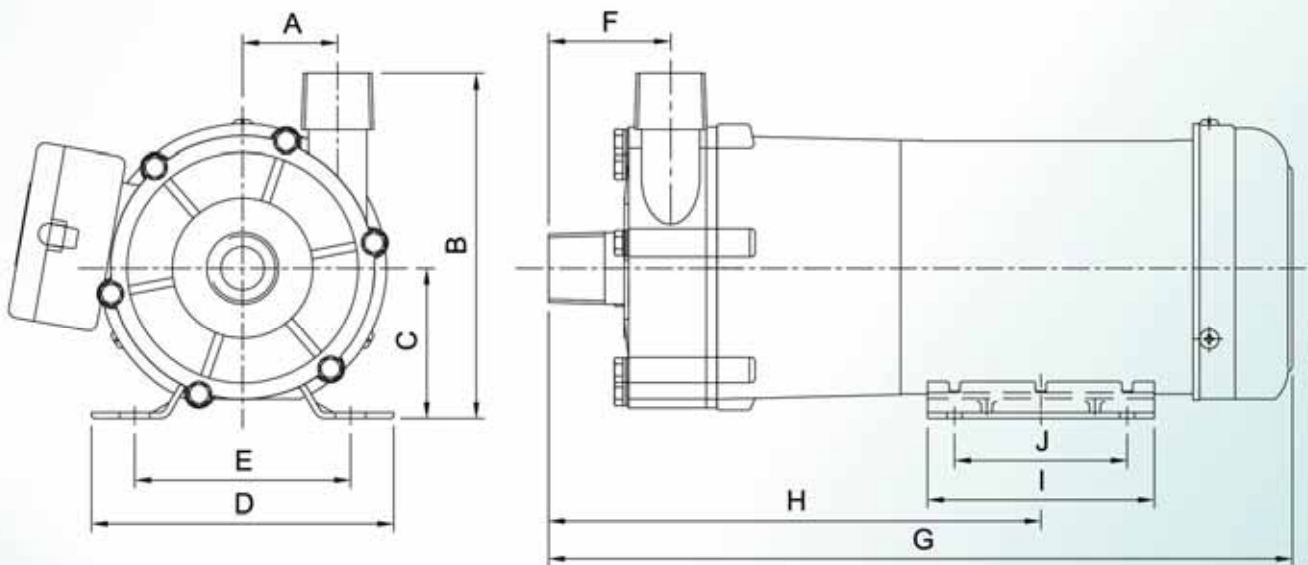
| Type | Bore | | Thread | | Max. Capacity (L/min) | Max. Head (M) | S.G. | Motor | | Pole |
|--------|-------|--------|----------------|-------|-----------------------|---------------|------|-------|--------|------|
| | Inlet | Outlet | Inlet & outlet | Union | | | | Power | Phase | |
| TMD-06 | 20mm | 20mm | PF3/4" | 16mm | 37/40 | 4/5.8 | 1.1 | 65W | 1 or 3 | 2 |
| TMD-09 | 26mm | 26mm | PF 1" | 20mm | 72/95 | 7/10 | 1.2 | 90W | 1 or 3 | 2 |
| TMD-18 | 26mm | 26mm | PF 1" | 20mm | 72/95 | 7/10 | 1.1 | 180W | 1 or 3 | 2 |
| TMD-25 | 26mm | 26mm | PF 1" | 20mm | 118/119 | 12/12 | 1.2 | 250W | 1 or 3 | 2 |

ISO 9001

Performance Curve



Dimension Drawing



| Type | A | B | C | D | E | F | G | H | I | J |
|--------|----|-------|----|-------|-----|------|-------|-------|-----|----|
| TMD-06 | 33 | 128.5 | 58 | 101.5 | 83 | 48.5 | 273 | 184.5 | 67 | 50 |
| TMD-09 | 44 | 160 | 70 | 140 | 100 | 52 | 305 | 199.5 | 105 | 80 |
| TMD-18 | 44 | 160 | 70 | 140 | 100 | 52 | 305 | 199.5 | 105 | 80 |
| TMD-25 | 44 | 160 | 70 | 140 | 100 | 56.5 | 344.5 | 228 | 105 | 80 |