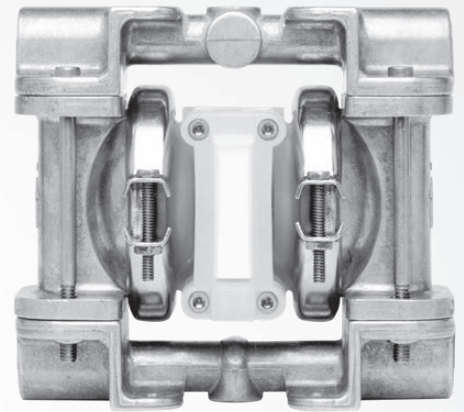


WILDEN®

EOM
Engineering
Operation &
Maintenance

P.025
Metal Pump



Where Innovation Flows

wildenpump.com



TABLE OF CONTENTS

SECTION 1 CAUTIONS—READ FIRST!1

SECTION 2 WILDEN PUMP DESIGNATION SYSTEM2

SECTION 3 HOW IT WORKS—PUMP & AIR DISTRIBUTION SYSTEM3

SECTION 4 DIMENSIONAL DRAWING.....4

SECTION 5 PERFORMANCE

 A. P.025 Metal

 Rubber-Fitted5

 TPE-Fitted5

 B. Suction Lift Curves.....6

SECTION 6 SUGGESTED INSTALLATION, OPERATION & TROUBLESHOOTING.....7

SECTION 7 DISASSEMBLY / REASSEMBLY10

 Disassembly, Cleaning & Inspection13

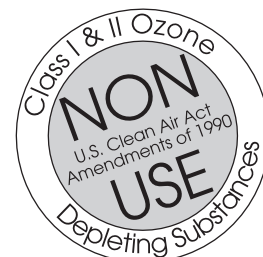
 Reassembly.....15

SECTION 8 EXPLODED VIEW & PARTS LISTING

 P.025 Metal - Rubber/TPE-Fitted16

 P.025 Metal - PTFE-Fitted18

SECTION 9 ELASTOMER OPTIONS20



CAUTIONS—READ FIRST!

TEMPERATURE LIMITS:

Acetal	-29°C to 82°C	-20°F to 180°F
Buna-N	-12°C to 82°C	10°F to 180°F
Geolast®	-40°C to 82°C	-40°F to 180°F
Neoprene	-18°C to 93°C	0°F to 200°F
Nordel® EPDM	-51°C to 138°C	-60°F to 280°F
Nylon	-18°C to 93°C	0°F to 200°F
PFA	-7°C to 107°C	45°F to 225°F
Polypropylene	0°C to 79°C	32°F to 175°F
Polyurethane	-12°C to 66°C	10°F to 150°F
PVDF	-12°C to 107°C	10°F to 225°F
Saniflex™	-29°C to 104°C	-20°F to 220°F
SIPD PTFE with EPDM-backed	4°C to 137°C	40°F to 280°F
SIPD PTFE with Neoprene-backed	4°C to 93°C	40°F to 200°F
PTFE ¹	4°C to 104°C	40°F to 220°F
Viton® FKM	-40°C to 177°C	-40°F to 350°F
Wil-Flex™	-40°C to 107°C	-40°F to 225°F

¹4°C to 149°C (40°F to 300°F) - 13 mm (1/2") and 25 mm (1") models only.



CAUTION: When choosing pump materials, be sure to check the temperature limits for all wetted components.



CAUTION: Maximum temperature limits are based upon mechanical stress only. Certain chemicals will significantly reduce maximum safe operating temperatures. Consult engineering guide for chemical compatibility and temperature limits.



WARNING: Always wear safety glasses when operating pump. If diaphragm rupture occurs, material being pumped may be forced out air exhaust.



CAUTION: Prevent static sparking — If static sparking occurs, fire or explosion could result. Pump, valves, and containers must be properly grounded when handling flammable fluids and whenever discharge of static electricity is a hazard.



CAUTION: Do not exceed 8.6 bar (125 psig) air supply pressure.



CAUTION: Before any maintenance or repair is attempted, the compressed air line to the pump should be disconnected and all air pressure allowed to bleed from pump. Disconnect all intake, discharge and air lines. Drain the pump by turning it upside down and allowing any fluid to flow into a suitable container.



CAUTION: Blow out air line for 10 to 20 seconds before attaching to pump to make sure all pipe line debris is clear. Use an in-line air filter. A 5µm(micron) air filter is recommended.



CAUTION: Tighten clamp bands and manifold bolts prior to installation. Fittings may loosen during transportation.



NOTE: Before starting disassembly, mark a line from each liquid chamber to its corresponding air chamber. This line will assist in proper alignment during reassembly.



NOTE: Verify the chemical compatibility of the processand cleaning fluid to the pump's component materials in the Chemical Resistance Guide.



NOTE: The P.025 pump is not submersible.



CAUTION: Pump performance will be seriously hampered if pump is installed upside down.



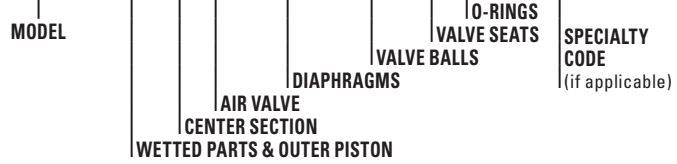
WILDEN PUMP DESIGNATION SYSTEM

P.025 METAL

**6 mm (1/4") Pump
Maximum Flow Rate:
18.9 lpm (5.0 gpm)**

LEGEND

P.025 / XXXXX / XXX / XX / XXX / XXXX



MATERIAL CODES

WETTED PARTS & OUTER PISTON

- AA = ALUMINUM / ALUMINUM
- AM = ALUMINUM / MILD STEEL
- AZ = ALUMINUM / NO PISTON
- SS = STAINLESS STEEL / STAINLESS STEEL
- SZ = STAINLESS STEEL / NO PISTON

CENTER SECTION

- LL = ACETAL
- PP = POLYPROPYLENE

AIR VALVE

- L = ACETAL
- P = POLYPROPYLENE

DIAPHRAGMS

- BNS = BUNA-N (Red Dot)
- TEL = PTFE w/EPDM BACKUP O-RING, IPD (White)
- TNL = PTFE W/ NEOPRENE BACKUP O-RING, IPD (White)
- WFS = WIL-FLEX™ [Santoprene®] (Three Black Dots)

VALVE BALLS

- TF = PTFE (White)

VALVE SEATS

- A = ALUMINUM
- H = ALLOY C
- S = STAINLESS STEEL

VALVE SEAT O-RINGS

- BN = BUNA-N (Red Dot)
- TF = PTFE (White)
- TV = PTFE ENCAP. VITON®
- WF = WIL-FLEX™ [Santoprene®]

MANIFOLD O-RINGS

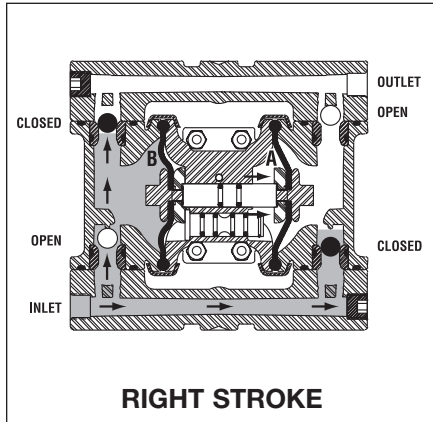
- BN = BUNA-N (Red Dot)
- TF = PTFE (White)

SPECIALTY CODES

- 0502 PFA coated hardware
- 0512 Adapter block, no muffler, Pro-Flo®, center section
- 0560 Split manifold
- 0562 Split manifold, BSPT
- 0670 Inlet manifold, dual ported, NPT
- 0671 Inlet manifold, dual ported, BSPT

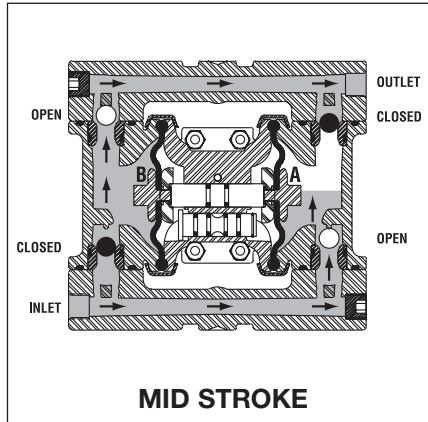
HOW IT WORKS

The Wilden diaphragm pump is an air-operated, positive displacement, self-priming pump. These drawings show flow pattern through the pump upon its initial stroke. It is assumed the pump has no fluid in it prior to its initial stroke.



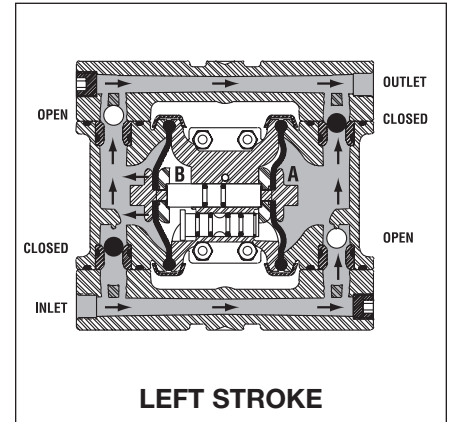
RIGHT STROKE

FIGURE 1 The air valve directs pressurized air to the back side of diaphragm A. The compressed air is applied directly to the liquid column separated by elastomeric diaphragms. The diaphragm acts as a separation membrane between the compressed air and liquid; a balanced load removes mechanical stress from the diaphragm. The compressed air moves the diaphragm away from the center block of the pump. The opposite diaphragm is pulled in by the shaft connected to the pressurized diaphragm. Diaphragm B is on its suction stroke; air behind the diaphragm has been forced out to the atmosphere through the exhaust port of the pump. The movement of diaphragm B toward the center block of the pump creates a vacuum within chamber B. Atmospheric pressure forces fluid into the inlet manifold forcing the inlet valve ball off its seat. Liquid is free to move past the inlet valve ball and fill the liquid chamber (see shaded area).



MID STROKE

FIGURE 2 When the pressurized diaphragm, diaphragm A, reaches the limit of its discharge stroke, the air valve redirects pressurized air to the back side of diaphragm B. The pressurized air forces diaphragm B away from the center block while pulling diaphragm A to the center block. Diaphragm B is now on its discharge stroke. Diaphragm B forces the inlet valve ball onto its seat due to the hydraulic forces developed in the liquid chamber and manifold of the pump. These same hydraulic forces lift the discharge valve ball off its seat, while the opposite discharge valve ball is forced onto its seat, forcing fluid to flow through the pump discharge. The movement of diaphragm A toward the center block of the pump creates a vacuum within liquid chamber A. Atmospheric pressure forces fluid into the inlet manifold of the pump. The inlet valve ball is forced off its seat allowing the fluid being pumped to fill the liquid chamber.

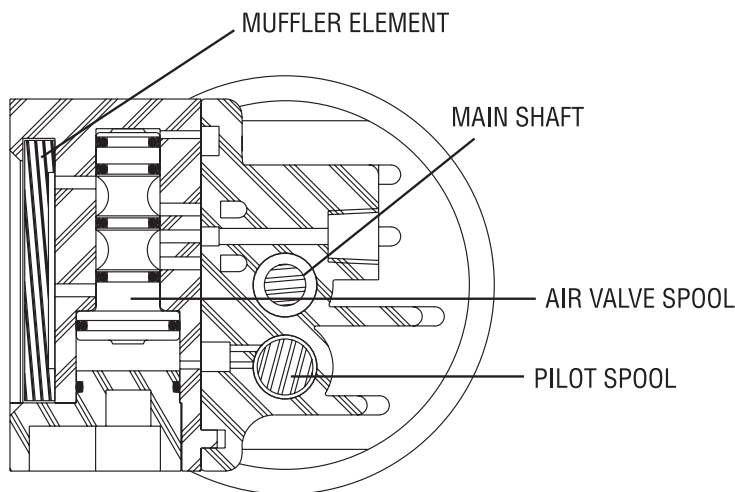


LEFT STROKE

FIGURE 3 At completion of the stroke, the air valve again redirects air to the back side of diaphragm A, which starts diaphragm B on its exhaust stroke. As the pump reaches its original starting point, each diaphragm has gone through one exhaust and one discharge stroke. This constitutes one complete pumping cycle. The pump may take several cycles to completely prime depending on the conditions of the application.

HOW IT WORKS—AIR DISTRIBUTION SYSTEM

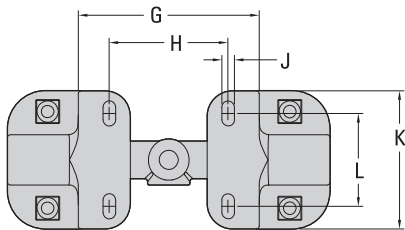
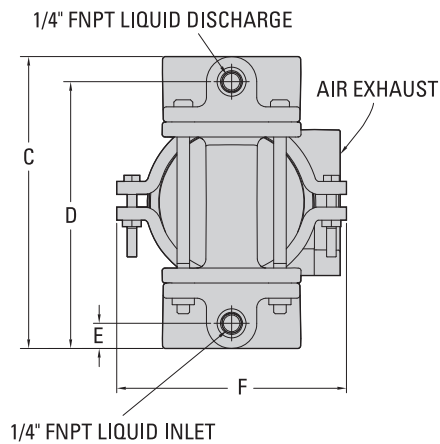
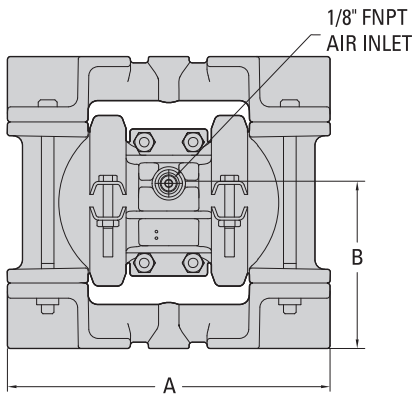
Figure 1



The Pro-Flo® patented air distribution system incorporates three moving parts: the air valve spool, the pilot spool, and the main shaft/diaphragm assembly. The heart of the system is the air valve spool and air valve. As shown in Figure 1, this valve design incorporates an unbalanced spool. The smaller end of the spool is pressurized continuously, while the large end is alternately pressurized and exhausted to move the spool. The spool directs pressurized air to one chamber while exhausting the other. The air causes the main shaft/diaphragm assembly to shift to one side — discharging liquid on one side and pulling liquid in on the other side. When the shaft reaches the end of its stroke, it actuates the pilot spool, which pressurizes and exhausts the large end of the air valve spool. The pump then changes direction and the same process occurs in the opposite direction, thus reciprocating the pump.

DIMENSIONAL DRAWING

P.025 Metal



DIMENSIONS

ITEM	METRIC (mm)	STANDARD (inch)
A	165	6.5
B	84	3.3
C	147	5.8
D	135	5.3
E	13	0.5
F	114	4.5
G	91	3.6
H	61	2.4
J	8	0.3
K	71	2.8
L	46	1.8

LW0348 REV. B

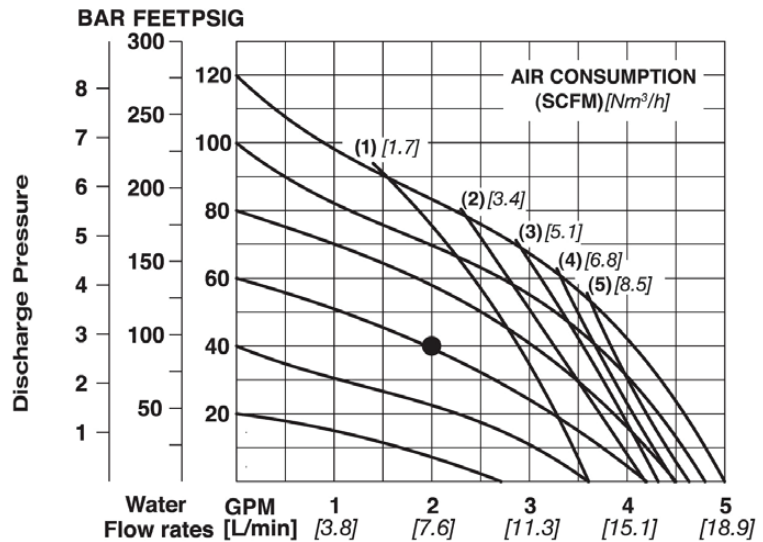
**P.025 METAL
RUBBER-FITTED**

Ship WeightAluminum 1.8 kg (4 lb)
 Stainless Steel 4.0 kg (8.9 lb)
 Hastelloy® 4.3 kg (9.5 lb)
 Air Inlet3.2 mm (1/8")
 Inlet6.4 mm (1/4")
 Outlet6.4 mm (1/4")
 Suction Lift 3.3 m Dry (10'8")
 9.3 m Wet (30'6")
 Disp. per Stroke¹ 0.02 L (0.005 gal)
 Max. Flow Rate 18.91 lpm (5 gpm)
 Max. Size Solids.....0.4 mm (1/64")

¹Displacement per stroke was calculated at 70 psig (4.8 bar) air inlet pressure against a 30 psig (2 bar) head pressure

Example: To pump 7.6 lpm (2 gpm) against a discharge pressure head of 40 psig (2.8 bar) requires 4.1 bar (61 psig) and 1.2 Nm³/h (0.7 scfm) air consumption. (See dot on chart.)

Caution: Do not exceed 8.6 bar (125 psig) air supply pressure.



Flow rates indicated on chart were determined by pumping water.

For optimum life and performance, pumps should be specified so that daily operation parameters will fall in the center of the pump's performance curve.

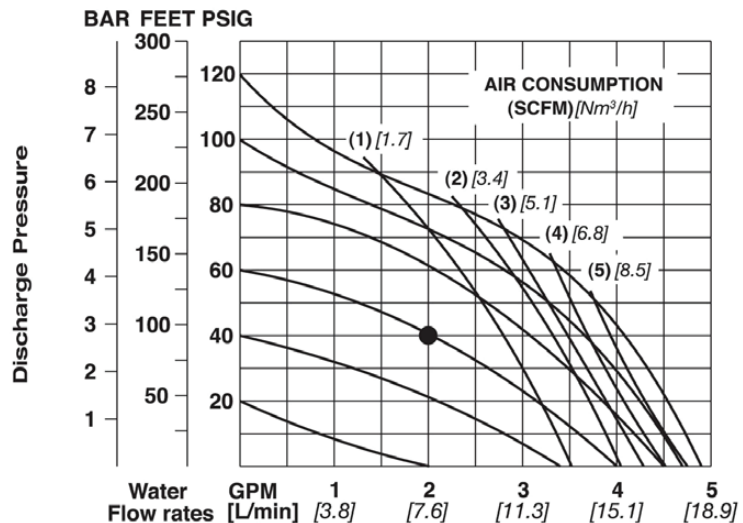
**P.025 METAL
TPE-FITTED**

Ship WeightAluminum 1.8 kg (4 lb)
 Stainless Steel 4.0 kg (8.9 lb)
 Hastelloy® 4.3 kg (9.5 lb)
 Air Inlet3.2 mm (1/8")
 Inlet6.4 mm (1/4")
 Outlet6.4 mm (1/4")
 Suction Lift 3.3 m Dry (10'8")
 9.3 m Wet (30'6")
 Disp. per Stroke¹ 0.02 L (0.005 gal)
 Max. Flow Rate 18.9 lpm (5 gpm)
 Max. Size Solids.....0.4 mm (1/64")

¹Displacement per stroke was calculated at 70 psig (4.8 bar) air inlet pressure against a 30 psig (2 bar) head pressure.

Example: To pump 7.6 lpm (2 gpm) against a discharge pressure head of 40 psig (2.8 bar) requires 4.0 bar (59 psig) and 1.1 Nm³/h (0.7 scfm) air consumption. (See dot on chart.)

Caution: Do not exceed 8.6 bar (125 psig) air supply pressure.



Flow rates indicated on chart were determined by pumping water.

For optimum life and performance, pumps should be specified so that daily operation parameters will fall in the center of the pump's performance curve.

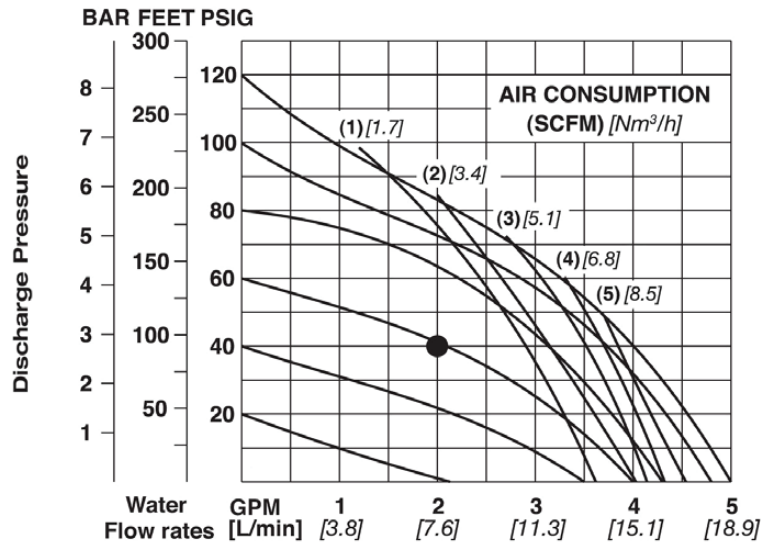
**P.025 METAL
PTFE-FITTED**

Ship WeightAluminum 1.8 kg (4 lb)
 Stainless Steel 4.0 kg (8.9 lb)
 Hastelloy® 4.3 kg (9.5 lb)
 Air Inlet3.2 mm (1/8")
 Inlet6.4 mm (1/4")
 Outlet6.4 mm (1/4")
 Suction Lift 4 m Dry (13')
 9.5 m Wet (31'2")
 Disp. per Stroke¹ 0.02 L (0.005 gal)
 Max. Flow Rate 18.9 lpm (5 gpm)
 Max. Size Solids.....0.4 mm (1/64")

¹Displacement per stroke was calculated at 70 psig (4.8 bar) air inlet pressure against a 30 psig (2 bar) head pressure

Example: To pump 7.6 lpm (2 gpm) against a discharge pressure head of 2.8 bar (40 psig) requires 4.0 bar (58 psig) and 1.0 Nm³/h (0.6 scfm) air consumption. (See dot on chart.)

Caution: Do not exceed 8.6 bar (125 psig) air supply pressure.

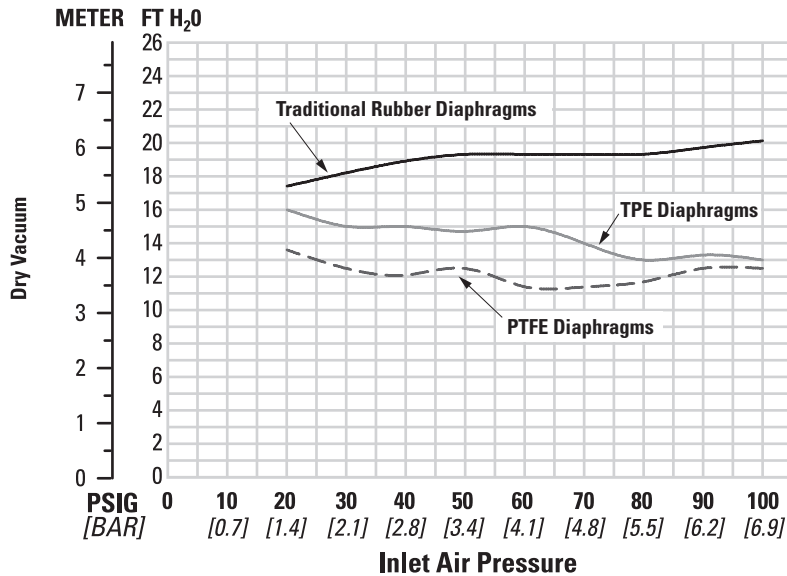


Flow rates indicated on chart were determined by pumping water.

For optimum life and performance, pumps should be specified so that daily operation parameters will fall in the center of the pump's performance curve.

Section 5B SUCTION-LIFT CURVE

P.025 METAL



Suction-lift curves are calibrated for pumps operating at 305 m (1,000') above sea level. This chart is meant to be a guide only. There are many variables that can affect your pump's operating characteristics.

The number of intake and discharge elbows, viscosity of pumping fluid, elevation (atmospheric pressure) and pipe friction loss all affect the amount of suction lift your pump will attain.

SUGGESTED INSTALLATION

The Pro-Flo model P025 has a 6 mm (1/4") inlet and 6 mm (1/4") outlet and is designed for flows to 18.9 lpm (5 gpm). The **P025 metal** pump is manufactured with wetted parts of aluminum Hastelloy® and stainless steel. The center section of the **P025 metal** is constructed of virgin acetal or polypropylene. A variety of diaphragms and O-rings are available to satisfy temperature, chemical compatibility, abrasion and flex concerns.

The suction pipe size should be at least 6 mm (1/4") diameter or larger if highly viscous material is being pumped. The suction hose must be non-collapsible, reinforced type as the P025 is capable of pulling a high vacuum. Discharge piping should be at least 6 mm (1/4"); larger diameter can be used to reduce friction losses. It is critical that all fittings and connections are airtight or a reduction or loss of pump suction capability will result.

INSTALLATION: Months of careful planning, study, and selection efforts can result in unsatisfactory pump performance if installation details are left to chance.

Premature failure and long-term dissatisfaction can be avoided if reasonable care is exercised throughout the installation process.

LOCATION: Noise, safety, and other logistical factors usually dictate that "utility" equipment be situated away from the production floor. Multiple installations with conflicting requirements can result in congestion of utility areas, leaving few choices for siting of additional pumps.

Within the framework of these and other existing conditions, every pump should be located in such a way that four key factors are balanced against each other to maximum advantage.

1. **ACCESS:** First of all, the location should be accessible. If it's easy to reach the pump, maintenance personnel will have an easier time carrying out routine inspections and adjustments. Should major repairs become necessary, ease of access can play a key role in speeding the repair process and reducing total downtime.

2. **AIR SUPPLY:** Every pump location should have an air line large enough to supply the volume of air necessary to achieve the desired pumping rate (see **PUMP PERFORMANCE**). Use air pressure up to a maximum of 8.6 bar (125 psi) depending on pumping requirements.

Sound levels are reduced below OSHA specifications using the standard Wilden muffler element.

3. **ELEVATION:** Selecting a site that is well within the pump's dynamic lift capability will assure that loss-of-prime troubles will be eliminated. In addition, pump efficiency can be adversely affected if proper attention is not given to site location.

4. **PIPING:** Final determination of the pump site should not be made until the piping problems of each possible location have been evaluated. The impact of current and future installations should be considered ahead of time to make sure that inadvertent restrictions are not created for any remaining sites.

The best choice possible will be a site involving the shortest and straightest hook-up of suction and discharge piping. Unnecessary elbows, bends, and fittings should be avoided. Pipe sizes should be selected so as to keep friction losses within practical limits. All piping should be supported independently of the pump. In addition, the piping should be aligned so as to avoid placing stresses on the pump fittings.

Flexible hose can be installed to aid in absorbing the forces created by the natural reciprocating action of the pump. If the pump is to be bolted down to a solid location, a mounting pad placed between the pump and the foundation will assist in minimizing pump vibration. Flexible connections between the pump and rigid piping will also assist in minimizing pump vibration. If quick-closing valves are installed at any point in the discharge system, or if pulsation within a system becomes a problem, a Wilden SD1/2 Equalizer surge dampener should be installed to protect the pump, piping and gauges from surges and water hammer.

When pumps are installed in applications involving flooded suction or suction head pressures, a gate valve should be installed in the suction line to permit closing of the line for pump service.

The P025 cannot be used in submersible applications.

If the pump is to be used in a self-priming application, be sure that all connections are airtight and that the suction lift is within the model's ability. **NOTE:** Materials of construction and elastomer material have an effect on suction lift parameters. Please consult Wilden distributors for specifics.

Pumps in service with a positive suction head are most efficient when inlet pressure is limited to 0.4-0.7 bar (7-10 psig). Premature diaphragm failure may occur if positive suction is 0.7 bar (10 psig) and higher.

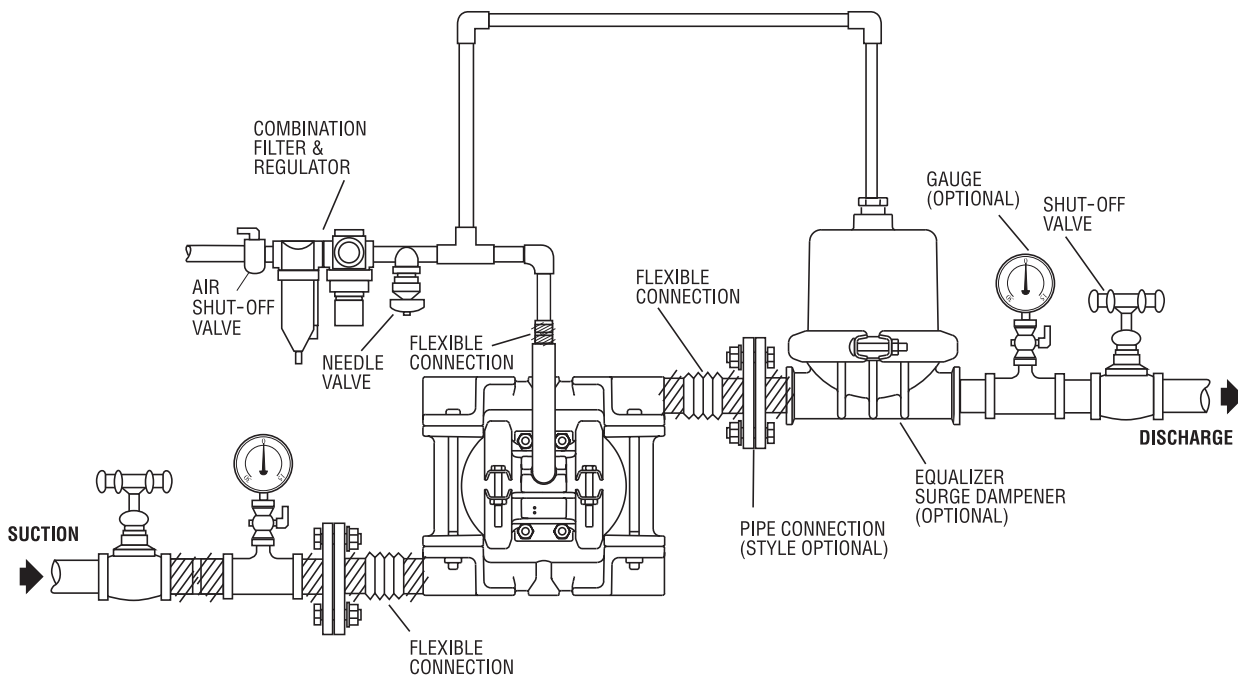
THE MODEL P025 WILL PASS 0.4 mm (1/64") SOLIDS. WHENEVER THE POSSIBILITY EXISTS THAT LARGER SOLID OBJECTS MAY BE SUCKED INTO THE PUMP, A STRAINER SHOULD BE USED ON THE SUCTION LINE.

CAUTION: DO NOT EXCEED 8.6 BAR (125 PSIG) AIR SUPPLY PRESSURE.

BLOW OUT AIR LINE FOR 10 TO 20 SECONDS BEFORE ATTACHING TO PUMP TO MAKE SURE ALL PIPE LINE DEBRIS IS CLEAR.

The Pro-Flo™ pump is not submersible.

SUGGESTED INSTALLATION

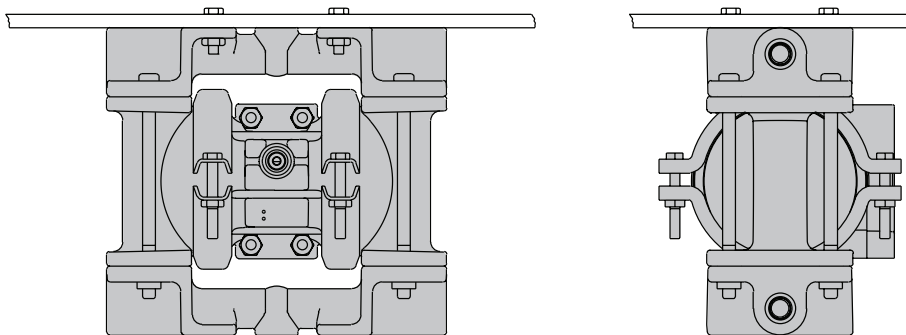


AIR-OPERATED PUMPS: To stop the pump from operating in an emergency situation, simply close the "shut-off" valve (user-supplied) installed in the air supply line. A properly functioning valve will stop the air supply to the pump, therefore stopping output. This "shut-off" valve should be located far enough away from the pumping equipment such that it can be reached safely in an emergency situation.

NOTE: In the event of a power failure, the shut-off valve should be closed, if the restarting of the pump is not desirable once power is regained.

NOTE: Wilden 6 mm (1/4") metal pumps come standard side-ported with 2 NPT or BSP pipe plugs for side inlet and discharge porting. Center, top and bottom inlet and discharge porting are optional. Simply drill flat areas provided with a 7/16" drill bit for NPT or 11 mm drill bit for BSP and tap with an NTP or BSP tap as needed.

NOTE: Wilden offers drum pump kits for the Metal P.025/A.025 pump (bung base and pick-up tube) for convenient drum pumping (P/N 50-9290-20/23/55).



NOTE: This pump can be mounted from the underside of a flat surface providing you more flexibility in tight areas/systems.

CAUTION: Pump performance will be seriously hampered if pump is installed upside down.

SUGGESTED OPERATION & MAINTENANCE

For best results, the pumps should use an air filter and regulator. The use of an air filter before the pump will insure that the majority of any pipeline contaminants will be eliminated. The P.025 is permanently lubricated, and does not require in-line lubrication. Additional lubrication will not damage the pump, however if the pump is heavily lubricated by an external source, the pump's internal lubrication may be washed away. If the pump is then moved to a non-lubricated location, it may need to be disassembled and re-lubricated as described in the DISASSEMBLY / REASSEMBLY INSTRUCTIONS.

Pump discharge rate can be controlled by limiting the volume and/or pressure of the air supply to the pump (preferred method). A regulator is used to regulate air pressure. A needle valve is used to regulate air volume. Pump discharge rate can also be controlled by throttling the pump discharge by installing a valve in the discharge line of the pump. This is useful when the need exists to control the pump from a remote location. When the pump discharge pressure equals or exceeds the air supply pres-

sure, the pump will stop; no bypass or pressure relief valve is needed, and pump damage will not occur. When operation is controlled by a solenoid valve in the air line, two-way or three-way valves may be used. Pumping volume can be set by counting the number of strokes per minute.

INSPECTIONS: Periodic inspections have been found to offer the best means for preventing unscheduled pump downtime. Personnel familiar with the pump's construction and service should be informed of any abnormalities that are detected during operation.

RECORDS: When service is required, a record should be made of all necessary repairs and replacements. Over a period of time, such records can become a valuable tool for predicting and preventing future maintenance problems and unscheduled downtime. In addition, accurate records make it possible to identify pumps that are poorly suited to their applications.

TROUBLESHOOTING

Pump will not run or runs slowly.

1. Ensure that the air inlet pressure is at least 0.4 bar (5 psig) above startup pressure and that the differential pressure (the difference between inlet and discharge pressures) is not less than 0.7 bar (10 psig).
2. Check air inlet filter for debris (see SUGGESTED INSTALLATION).
3. Check for extreme air leakage that would indicate worn out seals/bores.
4. Disassemble pump and check for obstructions in the air passageways or objects that would obstruct the movement of internal parts.
5. Check for sticking ball check valves. If material being pumped is not compatible with pump elastomers, swelling may occur. Replace ball check valves and seals with proper elastomers. Also, as the check valve balls wear out, they become smaller and can become stuck in the seats. In this case, replace balls and seats.

Pump runs but little or no product flows.

1. Check for pump cavitation; slow pump speed down to match thickness of material being pumped.
2. Verify that vacuum required to lift liquid is not greater than the vapor pressure of the material being pumped (cavitation).
3. Check for sticking ball check valves. If material being pumped is not compatible with pump elastomers, swelling may occur. Replace ball check valves and

seals with proper elastomers. Also, as the check valve balls wear out, they become smaller and can become stuck in the seats. In this case, replace balls and seats.

4. Ensure that all suction connections are tight.

Pump air valve freezes.

1. Check for excessive moisture in compressed air. Either install a dryer or hot air generator for compressed air. Alternatively, a coalescing filter may be used to remove the water from the compressed air in some applications.

Air bubbles in pump discharge.

1. Check for ruptured diaphragm.
2. Check tightness of outer pistons.
3. Check tightness of clamp bands and integrity of O-rings and seals, especially at intake manifold.
4. Ensure pipe connections are airtight.

Product comes out air exhaust.

1. Check for diaphragm rupture.
2. Check tightness of pistons to shaft.

Pump rattles.

1. Create false discharge head or suction lift.

PUMP DISASSEMBLY

Tools Required:

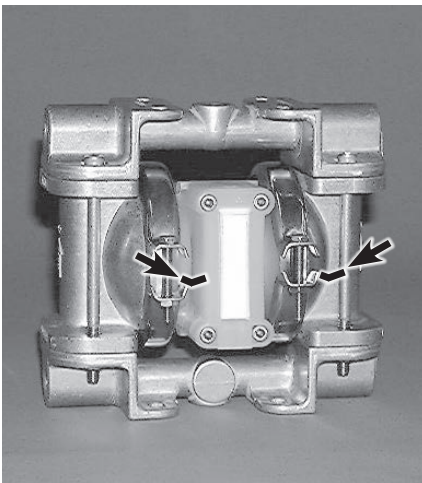
- 3/16" Hex-Head Wrench
- 7/16" Wrench or Socket for Rubber-Fitted
- 5/16" Wrench or Socket
- 3/8" Wrench O-Ring Pick
- 3/16" Rod or Equivalent

CAUTION: Before any maintenance or repair is attempted, the compressed air line to the pump should be disconnected and all air pressure allowed to bleed from pump. Disconnect all intake, discharge, and air lines. Drain the pump by turning it upside down and allowing any fluid to flow into a suitable container. Wetted flushing of parts may be required prior to handling.

The Wilden model P.025 is an air-operated, double-diaphragm pump with all wetted parts of aluminum, stainless steel or Hastelloy®. The single-piece center section, consisting of center block and air chambers, is molded from acetal or polypropylene. The air valve is manufactured of acetal or polypropylene. All O-rings used in the pump are of special materials and should only be replaced with factory-supplied parts.

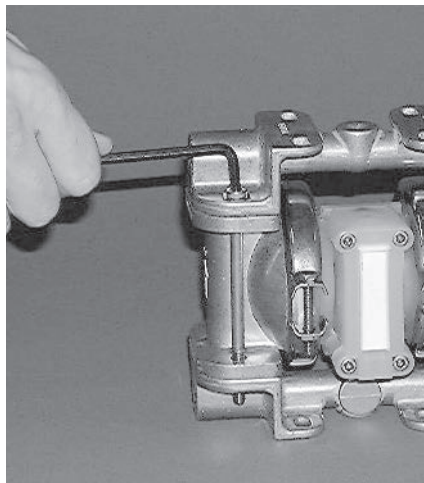
To expedite parts ordering, please find an exploded view of the P.025 model at the back of this manual.

PLEASE read all directions before starting disassembly.



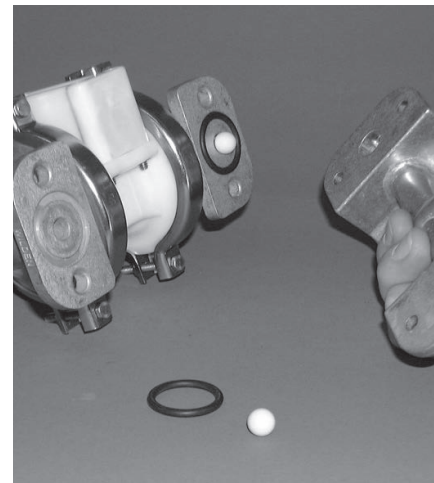
Step 1

Before actual disassembly is started, turn pump upside down and drain all liquid trapped in the pump into a suitable container. Be sure to use proper caution if liquid is corrosive or toxic. Mark each liquid chamber to its respective air chamber for easy alignment during reassembly.



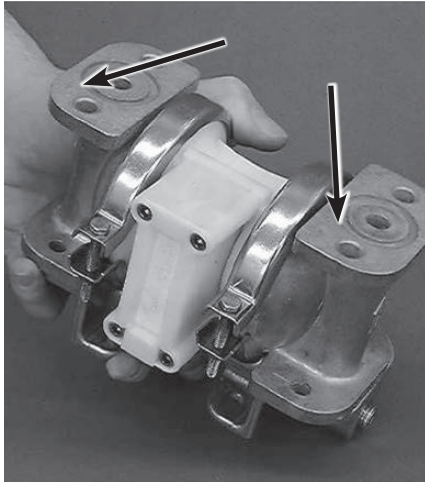
Step 2

Using a 3/16" hex-head wrench, loosen the four manifold bolts. Remove the top and bottom manifolds.



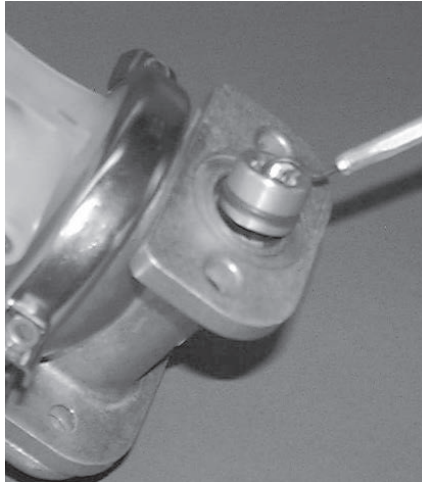
Step 3

Inspect both manifolds, manifold O-rings, and valve balls. If swelling, cracking or other damage is apparent, these parts must be replaced with genuine Wilden parts.



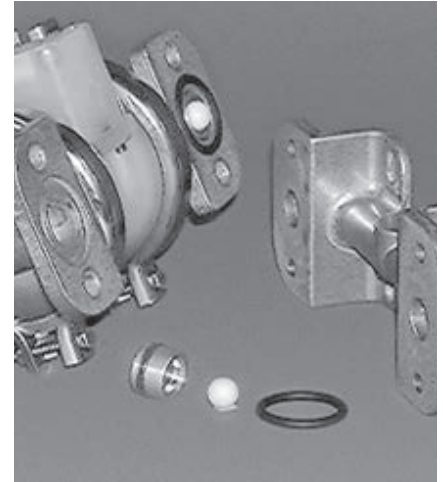
Step 4

NOTE: Top valve seats of aluminum P.025 pumps are cast in the liquid chamber.



Step 4a

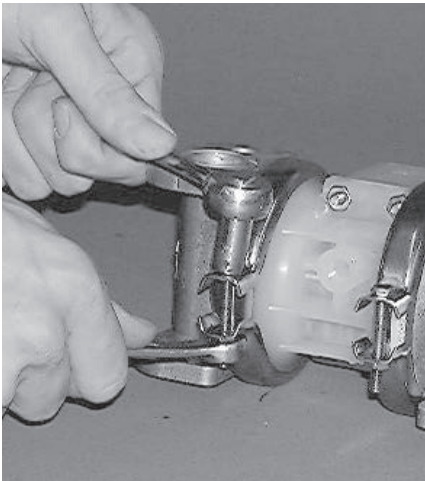
To remove top and bottom valve seats, on stainless steel or Hastelloy[®] pumps, use an O-ring pick and pull seats out from top to bottom or use 3/16" rod and push seats through.



Step 5

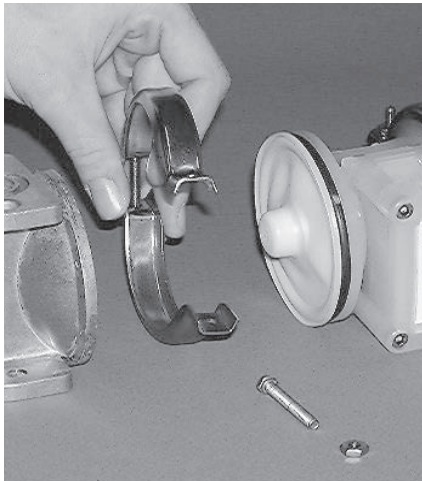
Remove bottom manifold. Inspect balls and seats for abrasion. Inspect seat O-rings and manifold O-rings for swelling, cracking, or other damage. These parts should be replaced if damage is observed.

NOTE: Aluminum pumps require two (2) O-rings per valve seat.



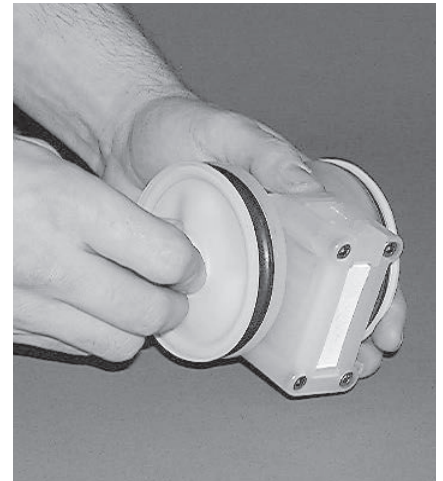
Step 6

Loosen clamp band with 5/16" socket and 3/8" wrench. Remove screw and nut.



Step 7

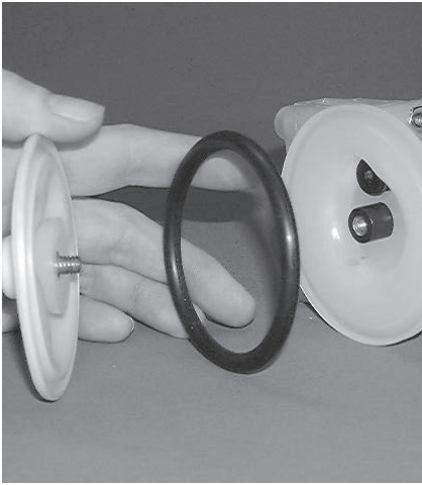
After clamp bands are removed, pull chambers away from center section.



Step 8

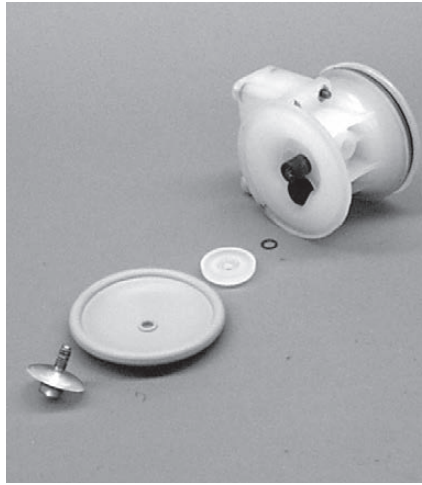
Remove diaphragm by turning in counterclockwise direction.

NOTE: PTFE-fitted pumps (shown) utilize a Neoprene back-up O-ring. Rubber or TPE-fitted pumps do not. (See Step 10 for details.).



Step 9

Pull off PTFE diaphragm and O-ring. Twist off remaining diaphragm in counterclockwise direction. Inspection of diaphragms and O-rings is now possible.



Step 10

For Rubber-/TPE-fitted pumps, remove the outer piston with 7/16" wrench. You are now able to remove the complete assembly. Inspection of diaphragms and outer pistons is now possible

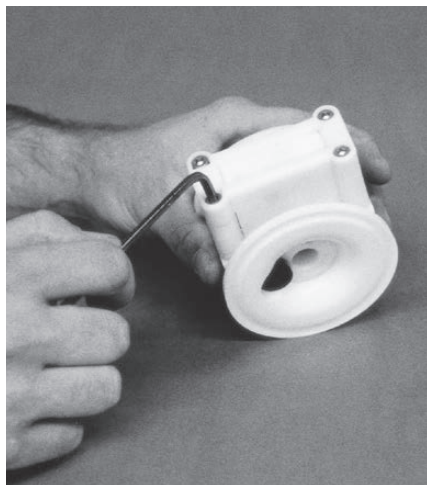
DISASSEMBLY, CLEANING & INSPECTION

Tools Required:

- 5/32" Hex-Head Wrench
- O-Ring Pick

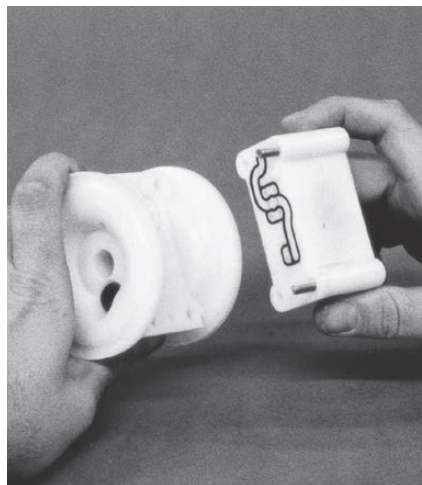
CAUTION: Before any maintenance or repair is attempted, the compressed air line to the pump should be disconnected and all air pressure allowed to bleed from the pump. Disconnect all intake, discharge, and air lines. Drain the pump by turning it upside down and allowing any fluid to flow into a suitable container. Be aware of hazardous effects of contact with your process fluid.

The P.025 pump utilizes the revolutionary Pro-Flo air distribution system. A 3.2 mm (1/8") air inlet connects the air supply to the center section. Proprietary composite seals reduce the coefficient of friction and allow the P.025 to run lube-free. Constructed of acetal or polypropylene, the Pro-Flo air distribution system is designed to perform in on/off, non-freezing, non-stalling, tough duty applications.



Step 1

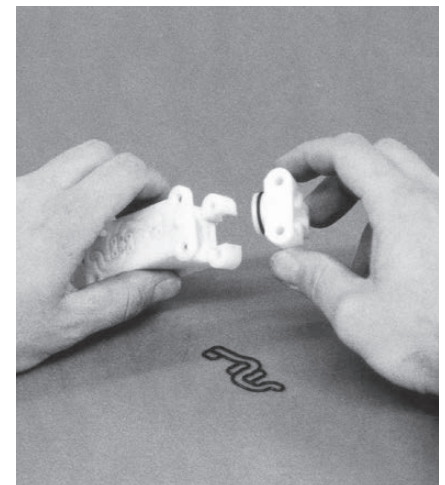
Remove air valve screws from center section with a 5/32" hex-head wrench.



Step 2

Take care while removing air valve end cap to not damage gasket.

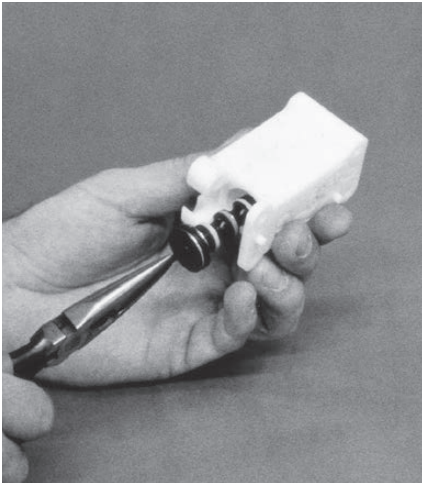
NOTE: Air valve has molded-in alignment pins for proper positioning during assembly



Step 3

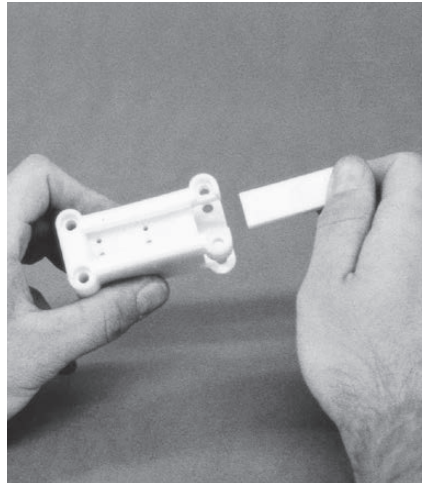
Remove air valve end cap by simply pulling it away from air valve body (no tools required). Inspect O-ring and replace as needed with genuine Wilden parts.

DISASSEMBLY, CLEANING & INSPECTION



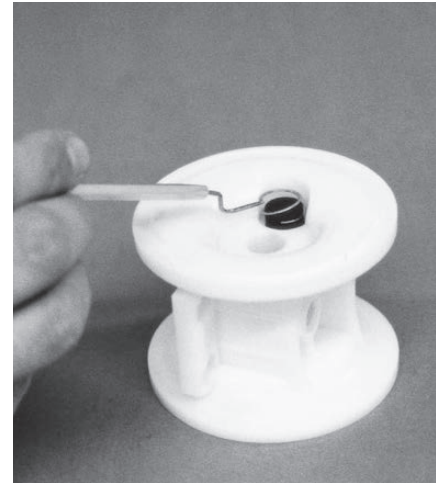
Step 4

The air valve spool can now be removed. A 10-24 UNC (Unified National Coarse) thread screw can be screwed into the threaded hole located in the center of the spool. Grip the screw with pliers and remove. If a 10-24 UNC screw is not available, the spool can be tapped out against a wood block or blown out with compressed air. Upon reassembly, lubricate air valve with NLGI grade 2 molybdenum disulfide based grease or equivalent.



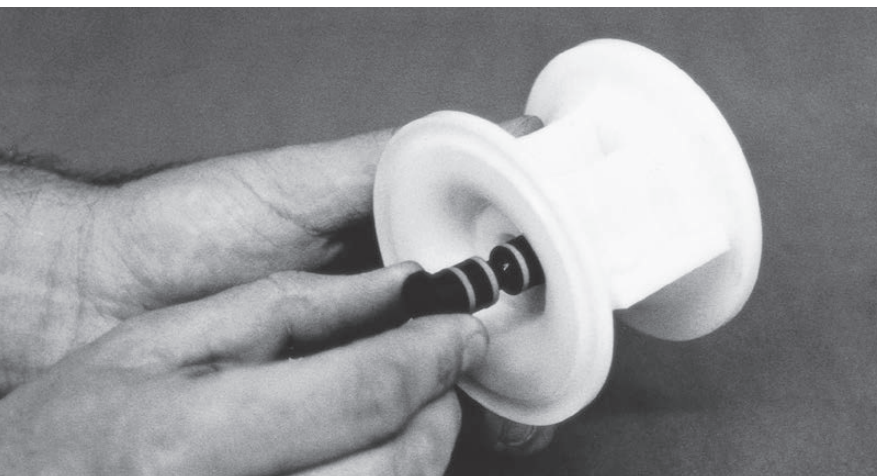
Step 5

Remove the porous polyethylene muffler element by sliding it toward the end cap opening. The element can be cleaned by soaking it in a cleaning solution (no solvents). If the muffler restricts the air exhaust, replace muffler element.



Step 6

Remove pilot spool retaining ring with an O-ring pick.



Step 7

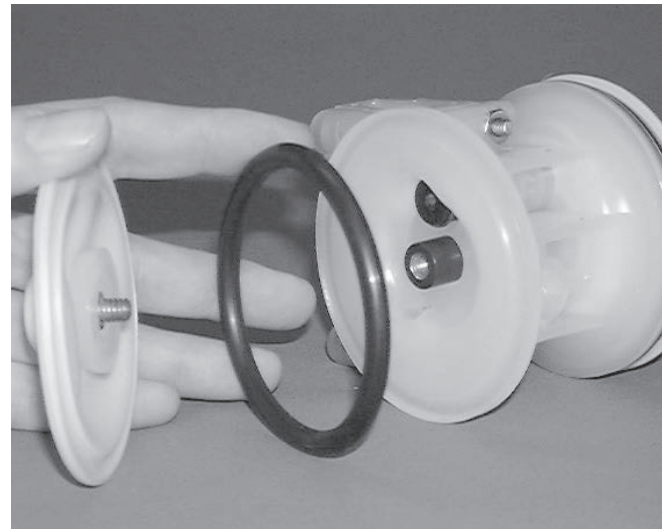
Push pilot spool through center section and remove. Inspect seals for integrity and spool for damage. Replace pilot spool assembly if necessary. Upon reassembly of spool, apply a film of NLGI grade 2 molybdenum disulfide based grease or equivalent (P/N 99-8310-99).

Upon performing applicable maintenance to the air distribution system, the pump can now be reassembled. Please refer to the disassembly instructions for photos and parts placement. To reassemble pump, follow the disassembly instructions in reverse order. The air distribution system needs to be assembled first, then the diaphragms, and finally the wetted parts. Please find applicable torque specifications in this section.

PRO-FLO MAXIMUM TORQUE SPECIFICATIONS

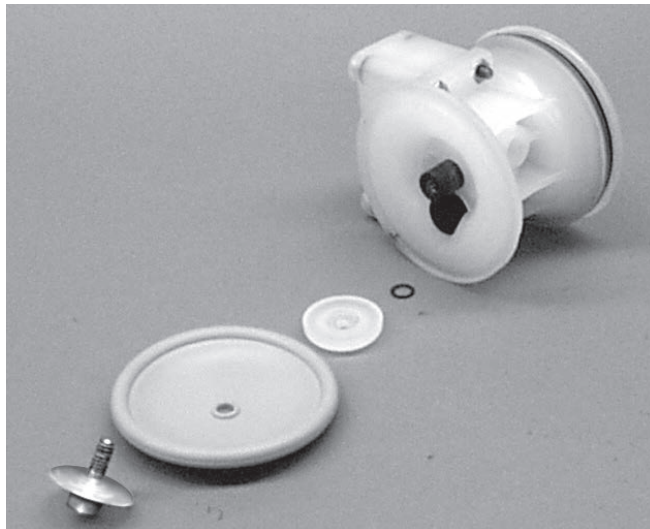
Description of Part	Torque
Air Valve	2.3 N•m (20 in-lb)
Outer Piston, Rubber and TPE Diaphragms	4.6 N•m (40 in-lb)
Clamp Band	2.3 N•m (20 in-lb)
Manifold Bolt	5.6 N•m (50 in-lb)

- Apply a small amount of Loctite 242 to the internal threads of the shaft prior to reassembly.



PTFE Diaphragm Configuration

Lubricate the main shaft assembly with NLGI grade 2 molybdenum disulfide based grease or equivalent and insert through main shaft bore in center section. Assemble the other side and torque to proper value as listed below. Please review the photos above for proper alignment.



Rubber/TPE Diaphragm Configuration

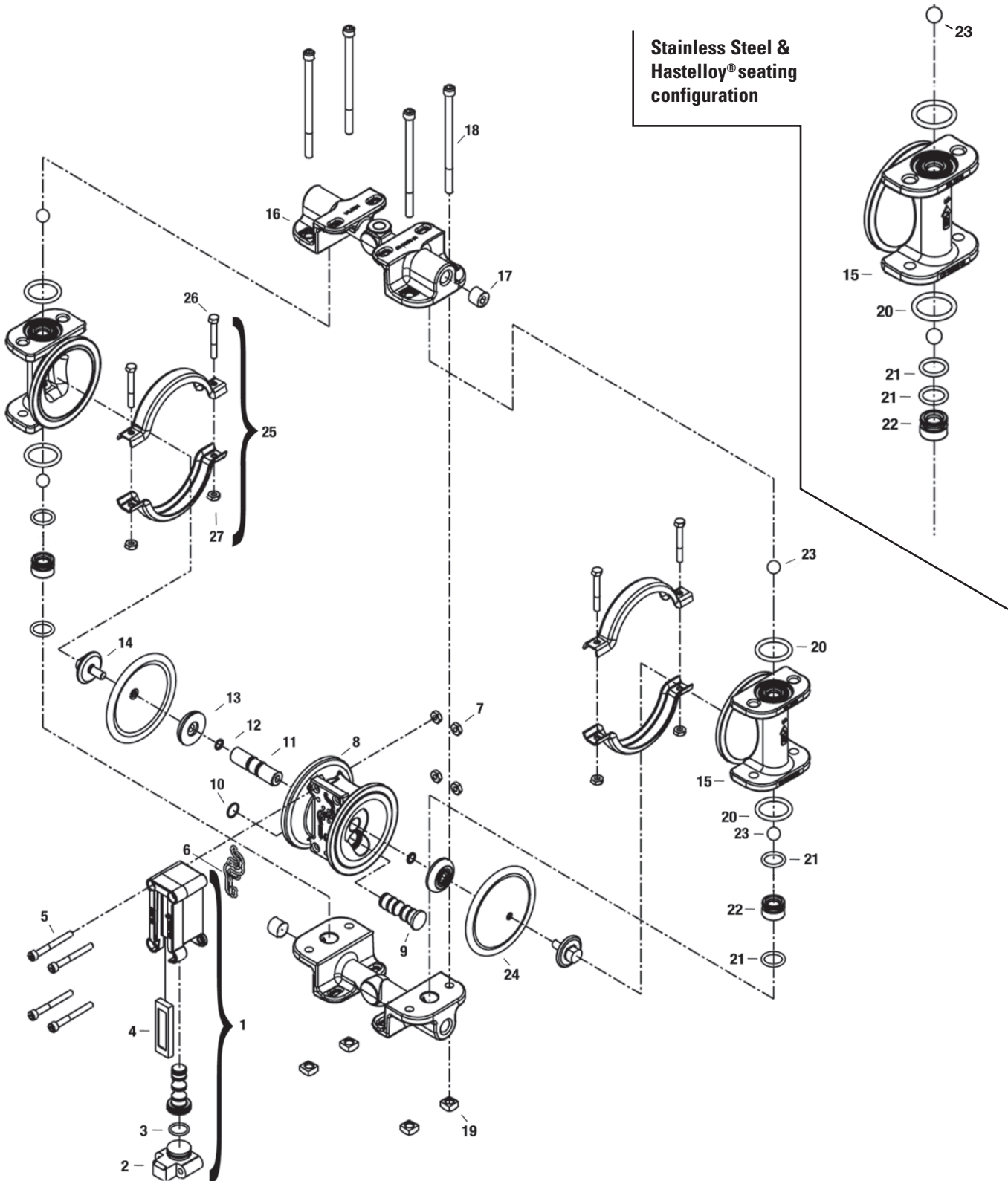
There are two types of diaphragm configurations available for the P.025: 1) Rubber or TPE diaphragm, and 2) PTFE primary diaphragm with backup O-ring. Observe the "This Side Out" marking on the convex side of the diaphragm. Install the disc spring, inner piston, diaphragm, backup O-ring (PTFE -fitted models only), and the outer piston to main shaft assembly. (**NOTE:** PTFE-fitted pumps employ an integral piston diaphragm). Add a small amount of Loctite 242 to the bore of the main shaft. Set up time is 20 minutes. Tighten outer piston to torque value found below.

EXPLODED VIEW & PARTS LISTING

P.025 METAL

RUBBER/TPE-FITTED

EXPLODED VIEW



EXPLODED VIEW & PARTS LISTING

P.025 METAL

RUBBER/TPE-FITTED

PART LISTING

Item #	Description	Qty. per Pump	P.025/APPP ALUMINUM P/N	P.025/ALL ALUMINUM P/N	P.025/SPPP STAINLESS STEEL P/N	P.025/SLLL STAINLESS STEEL P/N	P.025/HPPP HASTELLOY P/N	P.025/HLLL HASTELLOY P/N
1	Pro-Flo™ Air Valve Assembly ¹	1	00-2000-20-700	00-2000-13-700	00-2000-20-700	00-2000-13-700	00-2000-20-700	00-2000-13-700
2	Pro-Flo™ Air Valve End Cap	1	00-2300-20-700	00-2300-13-700	00-2300-20-700	00-2300-13-700	00-2300-20-700	00-2300-13-700
3	End Cap O-Ring	1	00-2390-52-700	00-2390-52-700	00-2390-52-700	000-2390-52-700	00-2390-52-700	00-2390-52-700
4	Muffler Element	1	00-3240-26-700	00-3240-26-700	00-3240-26-700	00-3240-26-700	00-3240-26-700	00-3240-26-700
5	Air Valve Bolt	4	00-6000-03-700	00-6000-03-700	00-6000-03-700	00-6000-03-700	00-6000-03-700	00-6000-03-700
6	Air Valve Gasket	1	00-2600-52-700	00-2600-52-700	00-2600-52-700	00-2600-52-700	00-2600-52-700	00-2600-52-700
7	Air Valve Nut	4	01-6400-03	01-6400-03	01-6400-03	01-6400-03	01-6400-03	01-6400-03
8	Pro-Flo™ Center Section	1	00-3150-20-700	00-3150-13-700	00-3150-20-700	00-3150-13-700	00-3150-20-700	00-3150-13-700
9	Pilot Spool Assembly	1	00-3850-99-700	00-3850-99-700	00-3850-99-700	00-3850-99-700	00-3850-99-700	00-3850-99-700
10	Pilot Spool Retaining Ring	1	00-2650-03-700	00-2650-03-700	00-2650-03-700	00-2650-03-700	00-2650-03-700	00-2650-03-700
11	Main Shaft Assembly	1	00-3800-99-700	00-3800-99-700	00-3800-99-700	00-3800-99-700	00-3800-99-700	00-3800-99-700
12	Disc Spring	2	00-6800-08	00-6800-08	00-6800-08	00-6800-08	00-6800-08	00-6800-08
13	Inner Piston for Rubber/TPE	2	00-3700-20-700	00-3700-13-700	00-3700-20-700	00-3700-13-700	00-3700-20-700	00-3700-13-700
14	Outer Piston	2	00-4570-08	00-4570-08	00-4570-03	00-4570-03	00-4570-04	00-4570-04
15	Liquid Chamber	2	00-5000-01	00-5000-01	00-5000-03	00-5000-03	00-5000-04	00-5000-04
16	Manifold (NPT)	2	00-5050-01	00-5050-01	00-5050-03	00-5050-03	00-5050-04	00-5050-04
	Manifold (BSP)	2	00-5051-01	00-5051-01	00-5051-03	00-5051-03	00-5051-04	00-5051-04
17	Pipe Plug (NPT)	2	00-7010-08	00-7010-08	00-7010-03	00-7010-03	00-7010-04	00-7010-04
	Pipe Plug (BSP)	2	00-7011-08	00-7011-08	00-7011-03	00-7011-03	00-7011-04	00-7011-04
18	Manifold Bolt	4	01-6000-03	01-6000-03	01-6000-03	01-6000-03	01-6000-03	01-6000-03
19	Square Nut	4	00-6505-03	00-6505-03	00-6505-03	00-6505-03	00-6505-03	00-6505-03
20	Manifold O-ring*	4	*	*	*	*	*	*
21	Valve Seat O-Ring*	4	*	*	*	*	*	*
22	Valve Seat	4	00-1120-01**	00-1120-01**	00-1120-03	00-1120-03	00-1120-04	00-1120-04
23	Valve Ball	4	00-1080-55	00-1080-55	00-1080-55	00-1080-55	00-1080-55	00-1080-55
24	Diaphragm*	2	*	*	*	*	*	*
25	Clamp Band Assembly	2	00-7300-03	00-7300-03	00-7300-03	00-7300-03	00-7300-03	00-7300-03
26	—Clamp Band Bolt	4	01-6100-03	01-6100-03	01-6100-03	01-6100-03	01-6100-03	01-6100-03
27	—Clamp Band Nut	4	01-6400-03	01-6400-03	01-6400-03	01-6400-03	01-6400-03	01-6400-03

*Refer to Elastomer Options in Section 10.

¹Air Valve Assembly includes items 2, 3 and 4.

**Quantity per pump is 2

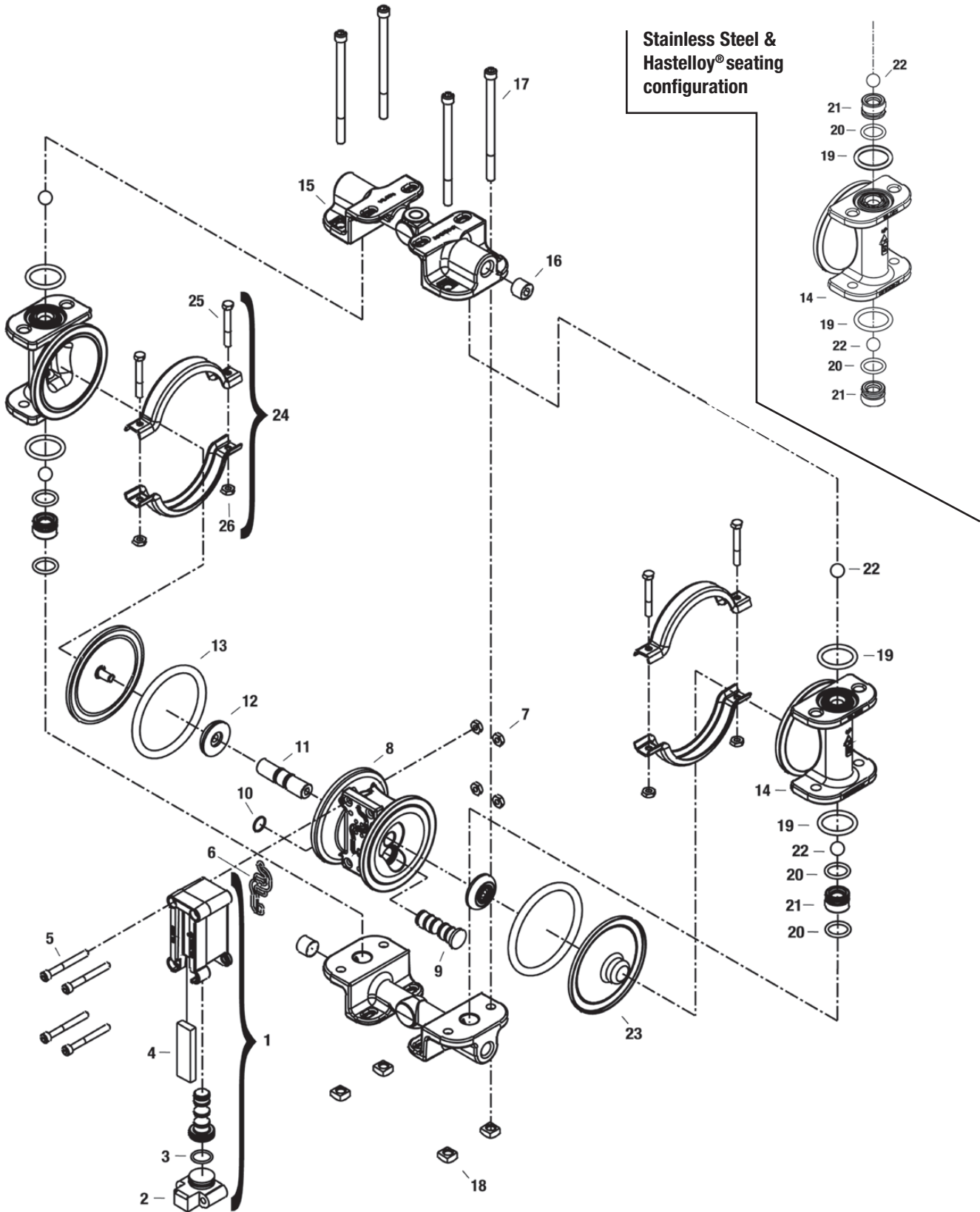
All boldface items are primary wear parts.

EXPLODED VIEW & PARTS LISTING

P.025 METAL

PTFE-FITTED

EXPLODED VIEW



EXPLODED VIEW & PARTS LISTING

P.025 METAL

PTFE-FITTED

PART LISTING

Item #	Description	Qty. per Pump	P.025/APPP ALUMINUM P/N	P.025/ALL ALUMINUM P/N	P.025/SPPP STAINLESS STEEL P/N	P.025/SLLL STAINLESS STEEL P/N	P.025/HPPP HASTELLOY P/N	P.025/HLLL HASTELLOY P/N
1	Pro-Flo™ Air Valve Assembly ¹	1	00-2000-20-700	00-2000-13-700	00-2000-20-700	00-2000-13-700	00-2000-20-700	00-2000-13-700
2	Pro-Flo™ Air Valve End Cap	1	00-2300-20-700	00-2300-13-700	00-2300-20-700	00-2300-13-700	00-2300-20-700	00-2300-13-700
3	End Cap O-Ring	1	00-3240-26-700	00-3240-26-700	00-3240-26-700	00-2390-52-700	00-2390-52-700	00-2390-52-700
4	Muffler Element	1	00-2340-26-700	00-2340-26-700	00-2340-26-700	00-3240-26-700	00-3240-26-700	00-3240-26-700
5	Air Valve Bolt	4	00-6000-03-700	00-6000-03-700	00-6000-03-700	00-6000-03-700	00-6000-03-700	00-6000-03-700
6	Air Valve Gasket	1	00-2600-52-700	00-2600-52-700	00-2600-52-700	00-2600-52-700	00-2600-52-700	00-2600-52-700
7	Air Valve Nut	4	01-6400-03	01-6400-03	01-6400-03	01-6400-03	01-6400-03	01-6400-03
8	Pro-Flo™ Center Section	1	00-3150-20-700	00-3150-13-700	00-3150-20-700	00-3150-13-700	00-3150-20-700	00-3150-13-700
9	Pilot Spool Assembly	1	00-3850-99-700	00-3850-99-700	00-3850-99-700	00-3850-99-700	00-3850-99-700	00-3850-99-700
10	Pilot Spool Retaining Ring	1	00-2650-03-700	00-2650-03-700	00-2650-03-700	00-2650-03-700	00-2650-03-700	00-2650-03-700
11	Main Shaft Assembly	1	00-3800-99-700	00-3800-99-700	00-3800-99-700	00-3800-99-700	00-3800-99-700	00-3800-99-700
12	Inner Piston for PTFE Fitted	2	00-3750-20-700	00-3750-13-700	00-3750-20-700	00-3750-13-700	00-3750-20-700	00-3750-13-700
13	Back-Up O-Ring	2	00-1070-51	00-1070-51	00-1070-51	00-1070-51	00-1070-51	00-1070-51
14	Liquid Chamber	2	00-5000-01	00-5000-01	00-5000-03	00-5000-03	00-5000-04	00-5000-04
15	Manifold (NPT)	2	00-5050-01	00-5050-01	00-5050-03	00-5050-03	00-5050-04	00-5050-04
	Manifold (BSP)	2	00-5051-01	00-5051-01	00-5051-03	00-5051-03	00-5051-04	00-5051-04
16	Pipe Plug (NPT)	2	00-7010-08	00-7010-08	00-7010-03	00-7010-03	00-7010-04	00-7010-04
	Pipe Plug (BSP)	2	00-7011-08	00-7011-08	00-7011-03	00-7011-03	00-7011-04	00-7011-04
17	Manifold Bolt	4	01-6000-03	01-6000-03	01-6000-03	01-6000-03	01-6000-03	01-6000-03
18	Square Nut	4	00-6505-03	00-6505-03	00-6505-03	00-6505-03	00-6505-03	00-6505-03
19	Manifold O-ring*	4	*	*	*	*	*	*
20	Valve Seat O-Ring*	4	*	*	*	*	*	*
21	Valve Seat	4	00-1120-01**	00-1120-01**	00-1120-03	00-1120-03	00-1120-04	00-1120-04
22	Valve Ball	4	00-1080-55	00-1080-55	00-1080-55	00-1080-55	00-1080-55	00-1080-55
23	Diaphragm	2	00-1030-55	00-1030-55	00-1030-55	00-1030-55	00-1030-55	00-1030-55
24	Clamp Band Assembly	2	00-7300-03	00-7300-03	00-7300-03	00-7300-03	00-7300-03	00-7300-03
25	—Clamp Band Bolt	4	01-6100-03	01-6100-03	01-6100-03	01-6100-03	01-6100-03	01-6100-03
26	—Clamp Band Nut	4	01-6400-03	01-6400-03	01-6400-03	01-6400-03	01-6400-03	01-6400-03

*Refer to Elastomer Options in Section 10.

¹Air Valve Assembly includes items 1, 2 and 3.

**Quantity per pump is 2

All boldface items are primary wear parts.

ELASTOMER OPTIONS
P.025 Metal

Material	Valve Seat O-Rings	Manifold O-Rings	Diaphragms	Backup Diaphragm O-Rings	Valve Balls
Wil-Flex™	00-1200-58	00-1260-58	00-1010-58	—	N/A
Buna-N	00-1200-52	04-2390-52	00-1010-52	—	N/A
Viton®	—	—	—	—	N/A
Teflon® PTFE	00-1200-55 ²	00-1370-55	00-1030-55	—	00-1080-55
Stainless Steel	—	—	—	—	N/A
Teflon®-Encapsulated Viton®	00-1206-60 ¹	—	—	—	N/A
Neoprene	—	—	—	00-1070-51	N/A

¹ Used on SS/Hastelloy® only

² Used on Aluminum only

WARRANTY

Each and every product manufactured by Wilden Pump and Engineering, LLC is built to meet the highest standards of quality. Every pump is functionally tested to insure integrity of operation.

Wilden Pump and Engineering, LLC warrants that pumps, accessories and parts manufactured or supplied by it to be free from defects in material and workmanship for a period of five (5) years from date of installation or six (6) years from date of manufacture, whichever comes first. Failure due to normal wear, misapplication, or abuse is, of course, excluded from this warranty.

Since the use of Wilden pumps and parts is beyond our control, we cannot guarantee the suitability of any pump or part for a particular application and Wilden Pump and Engineering, LLC shall not be liable for any consequential damage or expense arising from the use or misuse of its products on any application. Responsibility is limited solely to replacement or repair of defective Wilden pumps and parts.

All decisions as to the cause of failure are the sole determination of Wilden Pump and Engineering, LLC.

Prior approval must be obtained from Wilden for return of any items for warranty consideration and must be accompanied by the appropriate MSDS for the product(s) involved. A Return Goods Tag, obtained from an authorized Wilden distributor, must be included with the items which must be shipped freight prepaid.

The foregoing warranty is exclusive and in lieu of all other warranties expressed or implied (whether written or oral) including all implied warranties of merchantability and fitness for any particular purpose. No distributor or other person is authorized to assume any liability or obligation for Wilden Pump and Engineering, LLC other than expressly provided herein.

PLEASE PRINT OR TYPE AND FAX TO WILDEN

PUMP INFORMATION			
Item # _____		Serial # _____	
Company Where Purchased _____			
YOUR INFORMATION			
Company Name _____			
Industry _____			
Name _____		Title _____	
Street Address _____			
City _____	State _____	Postal Code _____	Country _____
Telephone _____	Fax _____	E-mail _____	Web Address _____
Number of pumps in facility? _____		Number of Wilden pumps? _____	
Types of pumps in facility (check all that apply): <input type="checkbox"/> Diaphragm <input type="checkbox"/> Centrifugal <input type="checkbox"/> Gear <input type="checkbox"/> Submersible <input type="checkbox"/> Lobe			
<input type="checkbox"/> Other _____			
Media being pumped? _____			
How did you hear of Wilden Pump? <input type="checkbox"/> Trade Journal <input type="checkbox"/> Trade Show <input type="checkbox"/> Internet/E-mail <input type="checkbox"/> Distributor			
<input type="checkbox"/> Other _____			

ONCE COMPLETE, FAX TO (909) 783-3440**OR GO TO PSGDOVER.COM > WILDEN > SUPPORT TO COMPLETE THE WARRANTY REGISTRATION ONLINE**NOTE: WARRANTY VOID IF PAGE IS NOT FAXED TO WILDEN OR SUBMITTED ONLINE VIA THE PSGDOVER.COM WEBSITE

WILDEN PUMP & ENGINEERING, LLC

Where Innovation Flows



PSG reserves the right to modify the information and illustrations contained in this document without prior notice. This is a non-contractual document. 05-2018

WILDEN®

PSG

22069 Van Buren St., Grand Terrace, CA 92313-5607

P: +1 (909) 422-1730 • F: +1 (909) 783-3440

wildenpump.com

Authorized PSG Representative:

Copyright ©2018, Pump Solutions Group (PSG), A Dover Company