

2" Non-Metallic Models

ARO EXP 2" non-metallic pumps achieve flow rates of up to 184 GPM (696.4 LPM) and offer a wide array of material and porting configurations. 2" non-metallic pumps are often used for transfer, filling, recirculation and batching in Chemical, Industrial and Water/Wastewater treatment markets.

Ratio:	1:1
Maximum GPM (LPM):	184 (696)
Displacement per cycle Gallons (Liters):	1.4 (5.3)
Air Inlet (Female):	3/4 - 14 N.P.T.
Fluid Inlet/Outlet:	2" A.N.S.I./DIN flange (side)
Max. operating pressure psi (bar):	120 (8.3)
Suspended solids max. dia. in. (mm):	1/4" (6.4)
Weight lbs (kg):	Polypropylene 85.3 (38.7) PVDF 110.9 (50.3)
Maximum dry suction lift ft (m):	14 (4.2)
Sound Level:	70 PSI 60 Cycles/Min 85.0 db(A)
Muffler Included:	93139



Ordering

Position	1	2		3	4	5		6	7	8		9		10	11
Example:	PX20	X	-	F	X	S	-	X	X	X	-	B	-	X	X

Position 1 Model Series	Position 2 Center Section	Position 3 Connections	Position 4 Wetted Parts	Position 5 Hardware	Position 6 Seat Material	Position 7 Ball Material	Position 8 Diaphragm Material	Position 9
PD20 - Standard Pump PE20 - Electronic Interface Accessible Pump	E - Conductive Polypropylene P - Polypropylene	F - 2" A.N.S.I./DIN Flange (Side)	E - Conductive Polypropylene K - PVDF P - Polypropylene	S - SS	K - PVDF P - Polypropylene	A - Santoprene C - Hytrel G - Nitrile T - PTFE V - Viton	A - Santoprene C - Hytrel G - Buna-N M - Medical Grade Santoprene T - PTFE/Santoprene V - Viton	Revision Level Position 10 & 11 Specialty Code Fluid control options for pump with electronic interface (PE20 model). See complete description on page 23

Accessories

Air Line Connection Kit | 66109

(Piggyback Filter/Regulator with gauge, pipe nipple and 5-foot air hose)

Diaphragm Failure Detection | Kit No.67237

Cycle Counter Kit | 66350

Cycle Sensor Kit | 67350-1 (PE20X pump model is required)

Service Repair Kits | 637369 (air motor for PX20P), 637373-XX (fluid section), 637374-X (major air valve assembly)

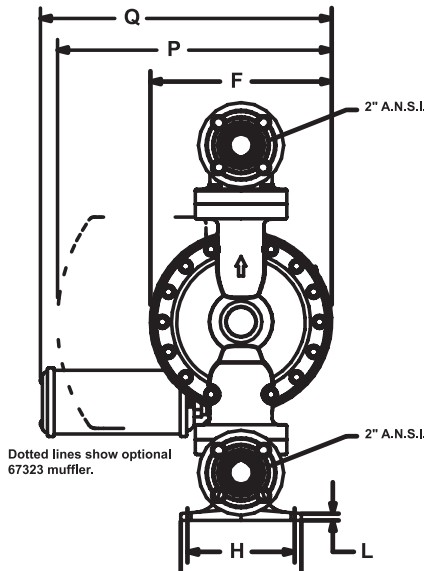
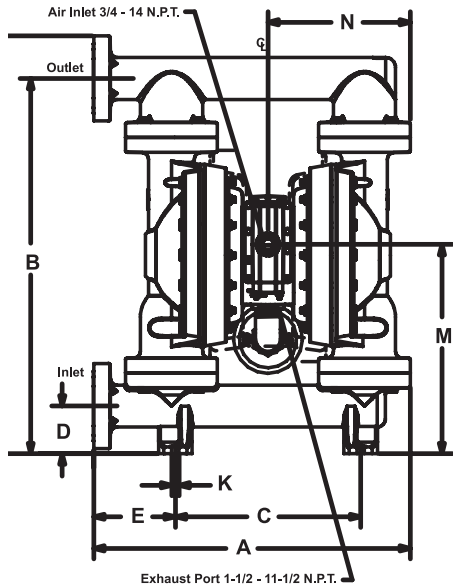
Continuous-Duty Muffler | 67323 Recommended for continuous-duty and high-flow applications. Muffler features large expansion chamber, permitting cold exhaust air to exit pump

Flange Connection Kit | 67341-E20N



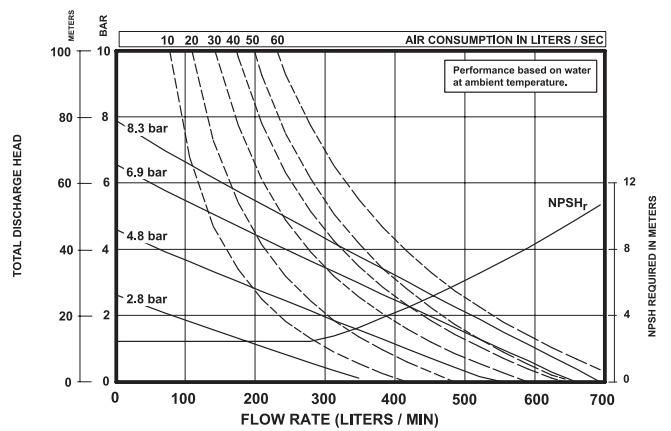
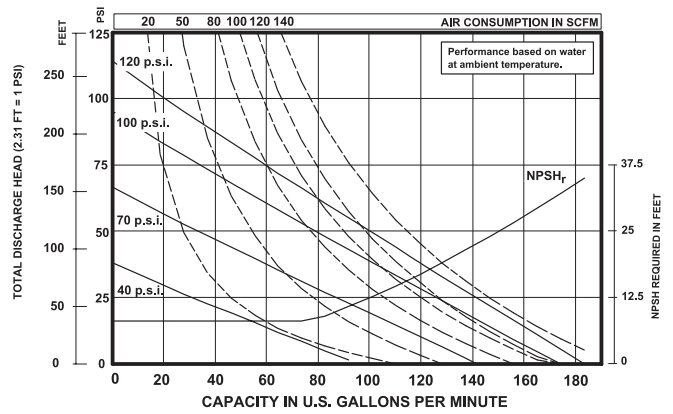
67323
Continuous Duty
Muffler

2" Non-Metallic Dimensions and Flow Charts



A - 24-3/16" (614.3mm)	F - 13-7/8" (352.0mm)
B - 28-21/32" (728.0mm)	G - 31-29/32" (810.5mm)
C - 14-5/32" (360.0mm)	H - 8-3/16" (207.8mm)
D - 3-5/8" (92.2mm)	J - 9-7/32" (234.2mm)
E - 6-1/4" (158.3mm)	K - 9/16" (14.3mm)
L - 1/2" (12.7mm)	
M - 16" (405.9mm)	
N - 10-7/8" (276.2mm)	
P - 20-31/32" (532.2mm)	
Q - 22-9/32" (565.5mm)	

PX20P-FXS-XXX 2" NON-METALLIC DIAPHRAGM PUMP



Refer to www.AROzone.com for full size flow curves.

For additional information contact technical support at 1.800.495.0276

Ordering Position 10

Specialty Code 1 (Blank if no Specialty Code)

A - Solenoid 120VAC
B - Solenoid 12VDC
C - Solenoid 240VAC
D - Solenoid 24VDC
E - 12vDC NEC/CEC
F - 24vDC NEC/CEC

G - Solenoid 12VDC ATEX/IECex
H - Solenoid 24VDC ATEX/IECex
J - 120VAC NEC/CEC
K - Solenoid 220VAC ATEX/IECex
N - Solenoid with no coil
O - Standard Valve Block
(No Solenoid)

Ordering Position 11

Specialty Code 2 (Blank if no Specialty Code)

E - End of stroke feedback + Leak Detection

L - Leak Detection

F - End of stroke feedback

M - Leak Detection ATEX/IECex/NEC/CEC

G - End of Stroke ATEX/IECex/NEC/CEC

O - No Option

H - End of Stroke/Leak Detection ATEX/IECex/NEC/CEC