

SALES & ENGINEERING DATA

RATIO SERIES: **1:1**

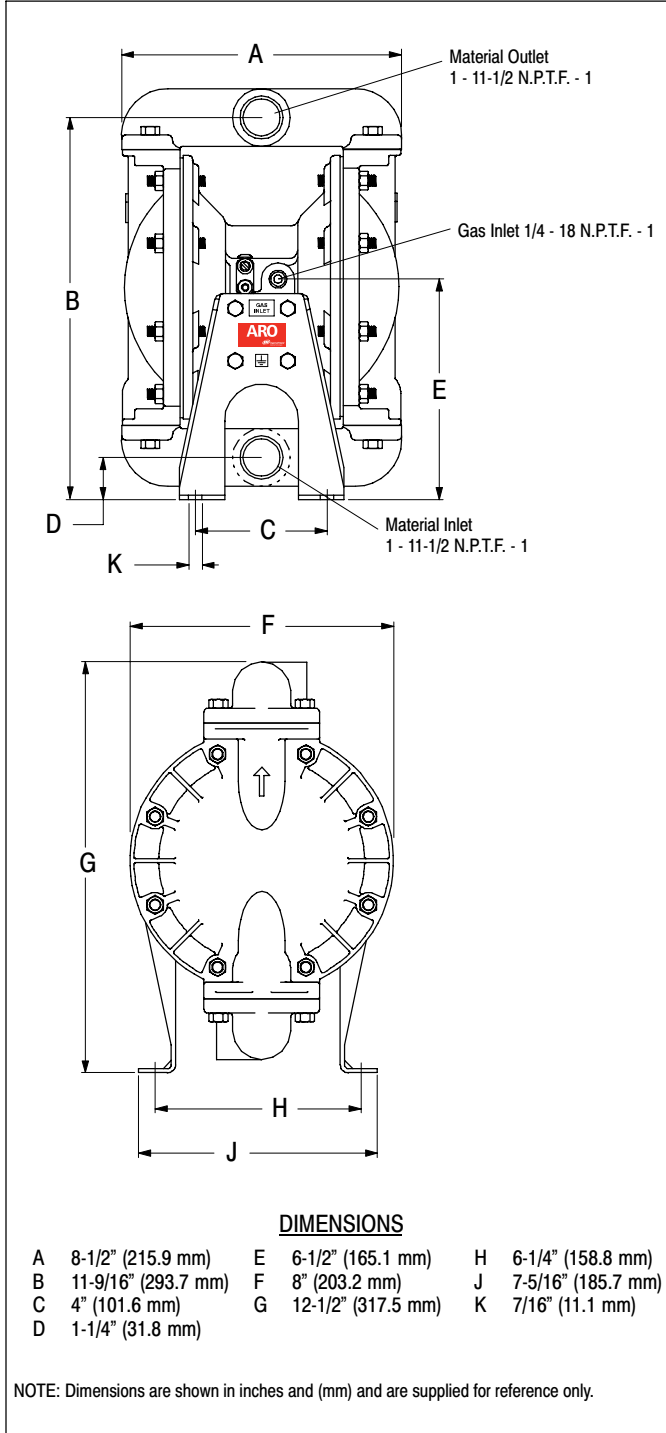
FLUID P.S.I. RANGE: **20 - 120**

6661H0-1C9-C

1" METALLIC DIAPHRAGM PUMP

RELEASED: 7-5-07
 REVISED:
 (REV. 01) S-1413

DIMENSIONAL DATA



SPECIFICATIONS

CONSTRUCTION

Model Series	6661H0-1C9-C
Pump Type	Metallic, Gas Operated, Double Diaphragm
Ratio	1:1
Material Inlet / Outlet (female)	1 - 11-1/2 N.P.T.F. - 1
Gas Inlet (female)	1/4 - 18 N.P.T.F. - 1
Gas Exhaust (female)	3/8 - 18 N.P.T.F. - 1
Weight	19 lbs (8.62 kgs)
Gas Section Service Kit	637118-C
Fluid Section Service Kit	637119-C9-C

6661H0 - 1 -C
 637119 - -C
 Diaphragm Material
 Ball Material

EXAMPLE: Model 6661H0-1C9-C
 Fluid Section Service Kit is 637119-C9-C

PERFORMANCE

Gas Inlet Pressure Range	20 - 120 p.s.i. (1 - 8.3 bar)
Maximum Material Inlet Pressure	10 p.s.i. (0.69 bar)
Fluid Pressure Range	20 - 120 p.s.i. (1 - 8.3 bar)
Maximum Flow Rate (flooded inlet)	35 g.p.m. (133 l.p.m.)
Maximum Particle Size	1/8" dia. (3.2 mm)
Maximum Temperature Limits	32° to 125° F (0° to 52° C)
Displacement / Cycle @ 100 p.s.i.	0.156 gal. (0.59 lit.)
Noise Level @ 70 p.s.i. - 60 c.p.m. ^①	64.5 db(A) ^②

① Tested with 93110 muffler installed.

② The pump sound pressure level has been updated to an Equivalent Continuous Sound Level (L_{Aeq}) to meet the intent of ANSI S1. 13-1971, CAGI-PNEUROP S5.1 using four microphone locations.

ACCESSORIES:

66073-2 Air Line Connection Kit

PERFORMANCE CURVES

6661H0-1C9-C 1" METALLIC DIAPHRAGM PUMP

