

# 1" Metallic Models

ARO PRO 1" metallic diaphragm pumps achieve flow rates of up to 35 GPM (133 LPM) and offer a wide array of material and porting configurations. These pumps are often used for transfer, filling, recirculation and batching in Industrial, Mining, Construction, Chemical and Petrochemical markets.

Ratio:	1:1	
Maximum Flow:	35-g.p.m. (133-l.p.m.)	
Displacement per cycle:	0.16-Gallons (0.60-Liters)	
Air Inlet: (Female)	1/4 - 18 N.P.T.F. - 1	
Fluid Inlet/Outlet:	1 - 11-1/2 N.P.T.F. - 1	
	Rp 1 (1-11 BSP parallel)	
Max. operating pressure:	120-psi (8.3-bar)	
Suspended solids max. dia.:	1/8-in. (3.2-mm)	
Weight: lbs (kg)	666100-X-C (aluminum)	19 (8.6)
	666101-X-C (stainless steel)	36 (16.3)
	666102-X-C (cast iron)	31 (14.1)

Note: Add 8-lbs (3.63-kg) for cast iron air motor section

Maximum dry suction lift:	ft (m)	20 (6.1)
Sound Level:	70 PSI 60 Cycles/Min	64.5 db(A)



666100-3EB-C

## Ordering

Position	1	2		3	4	5		6
Example:	6661X	X	-	X	X	X	-	C

Position 1 Center Body	Position 2 Fluid Caps Manifold Mat.	Position 3 Seat Material	Position 4 Ball Check Material	Position 5 Diaphragm Material
0 - Aluminum, N.P.T.F. 1 - Cast Iron, N.P.T.F. 2 - Aluminum, BSP 3 - Cast Iron, BSP	0 - Aluminum (steel hardware) 1 - SS (steel hardware) 2 - Cast Iron (steel hardware) 9 - SS, dual outlet (steel hardware) A - Aluminum, (stainless hardware) B - SS (stainless hardware) C - Cast Iron (stainless hardware) D - SS, dual outlet (stainless hardware)	1 - Aluminum 2 - 316 Stainless Steel 3 - Polypropylene 4 - PVDF (Kynar) 5 - Carbon Steel 8 - Hard 400 Stainless Steel	1 - Neoprene 2 - Nitrile 3 - Viton 4 - PTFE 5 - E.P.R. 6 - Acetal 8 - Polyurethane A - Stainless Steel C - Hytrel E - Santoprene	1 - Neoprene 2 - Nitrile 3 - Viton 4 - PTFE / Santoprene 5 - E.P.R. 6 - Acetal 9 - Hytrel B - Santoprene G - Nitrile

## Accessories

**Air Line Connection Kit** | 66073-2 (Piggyback Filter/Regulator with gauge, pipe nipple and 5-foot air hose)

**Cycle Counter Kit** | 66975

**Service Repair Kits** | 637118-C (air section)

637119-XX-C (fluid section)

**Wall Mount** | 66100



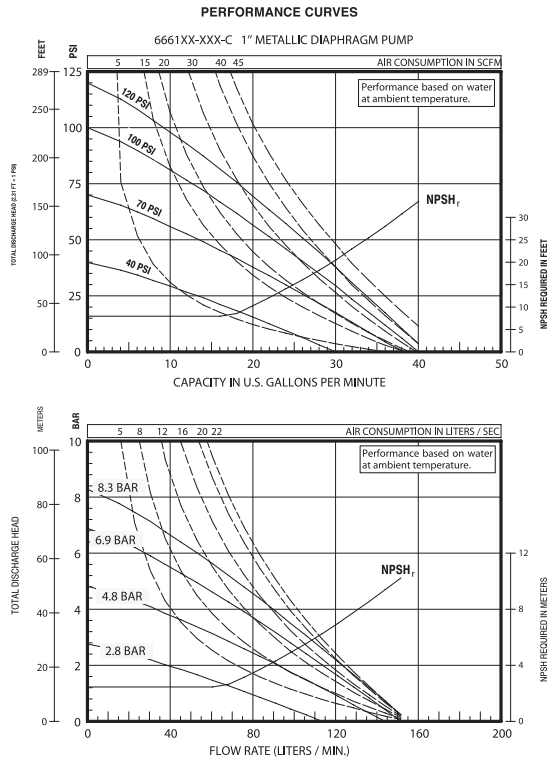
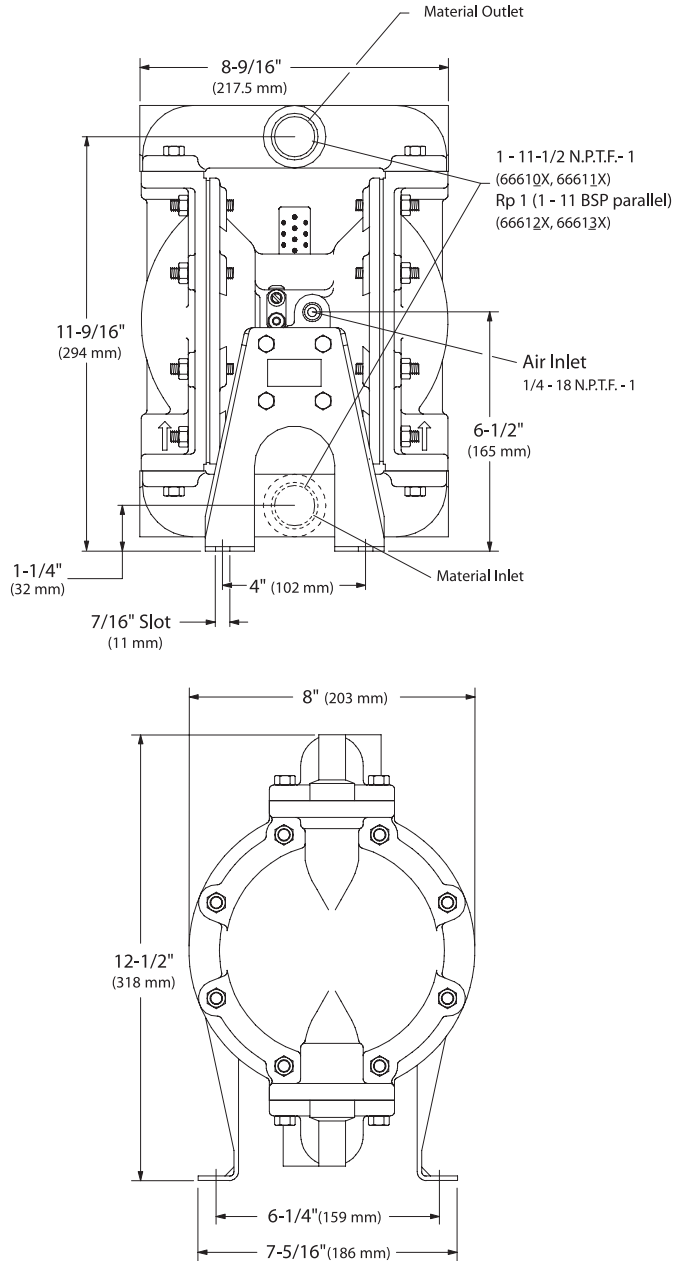
Air Line Connection Kit  
66073-2



Wall Mount  
66100

# 1" Metallic Dimensions and Flow Charts

(Dimensions shown are for reference only, they are displayed in inches and millimeters (mm).)



Refer to [www.AROzone.com](http://www.AROzone.com) for full size flow curves.  
For additional information contact  
technical support at 1.800.495.02761