



Structure

- 사용환경에 따라 Vertical과 Horizontal형태로 제작
- 동일한 펌프 취부자리로 교체가 용이함.
- HCP-4000EHMF280S는 기존 펌프와 달리 IN, OUT이 반대로 되어 있어 Mechanical Seal부에 진공압이 발생되어 누유 발생 문제를 줄임.
- Either vertical or horizontal type possible depending on manufacturing environment.
- Easily replaced to the area in the same pump.
- Unlike existing pump, HCP-4000EHMF280S has IN and OUT the other way round and therefore minimizes oil leakage as pressure is formed inside mechanical seal.

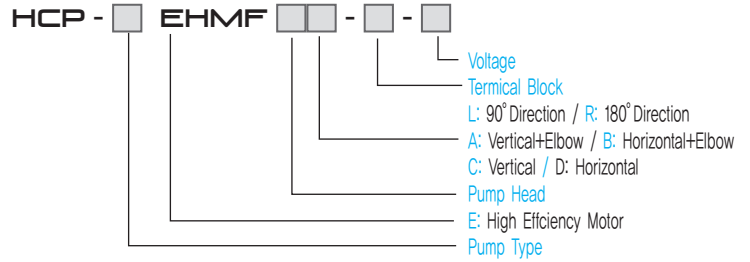
Pump Spec.

Specification Type	MOTOR						PUMP		
	OUTPUT (W)	FREQUENCY (Hz)	VOLTAGE (V)	CURRENT (A)	PHASE	POLES	TOTAL HEAD (m)	DIS. VOL (l/min)	PIPE SIZE (PT)
HCP-4000EHMF130	4000	50	200 380	16.0 8.5	3	2	90	20	3/4"
		60	200/220 380	18.0/17.0 10.7			130		
HCP-4000EHMF200	4000	50	200 380	16.0 8.5	3	2	125	20	3/4"
		60	200/220 380	18.0/17.0 10.7			200		
HCP-4000EHMF280S	4000	50	200 380	15.0 9.0	3	2	195	20	3/4"
		60	200/220 380	18.0 10.7			280		
HCP-5500EHMF200	5500	50	200 380	17 10.5	3	2	145	20	3/4"
		60	220 380	25 14.5			200		
HCP-5500EHMF220	5500	50	200 380	17 10.5	3	2	155	20	3/4"
		60	220 380	25 14.5			220		
HCP-5500EHMF240	5500	50	200 380	17 10.5	3	2	165	20	3/4"
		60	220 380	25 14.5			240		
HCP-5500EHMF260	5500	50	200 380	17 10.5	3	2	175	20	3/4"
		60	220 380	25 14.5			260		
HCP-5500EHMF280	5500	50	200 380	17 10.5	3	2	185	20	3/4"
		60	220 380	25 14.5			280		

Packing Spec.

MODEL NAME	PACKING SIZE(cm)	WEIGHT(kg)	
		PUMP	PACKING
HCP-4000EHMF130	80(W) x 27(L) x 31(D)	44(A, C), 54(B, D)	45(A, C), 55(B, D)
HCP-4000EHMF200		49(A, C), 59(B, D)	50(A, C), 60(B, D)
HCP-4000EHMF280S		59(A, C), 69(B, D)	60(A, C), 70(B, D)
HCP-5500EHMF200	100(W) x 28(L) x 33(D)	59(A, C), 69(B, D)	60(A, C), 70(B, D)
HCP-5500EHMF220		62(A, C), 72(B, D)	63(A, C), 73(B, D)
HCP-5500EHMF240		64(A, C), 74(B, D)	65(A, C), 75(B, D)
HCP-5500EHMF260		67(A, C), 77(B, D)	68(A, C), 78(B, D)
HCP-5500EHMF280		69(A, C), 79(B, D)	70(A, C), 80(B, D)

Model

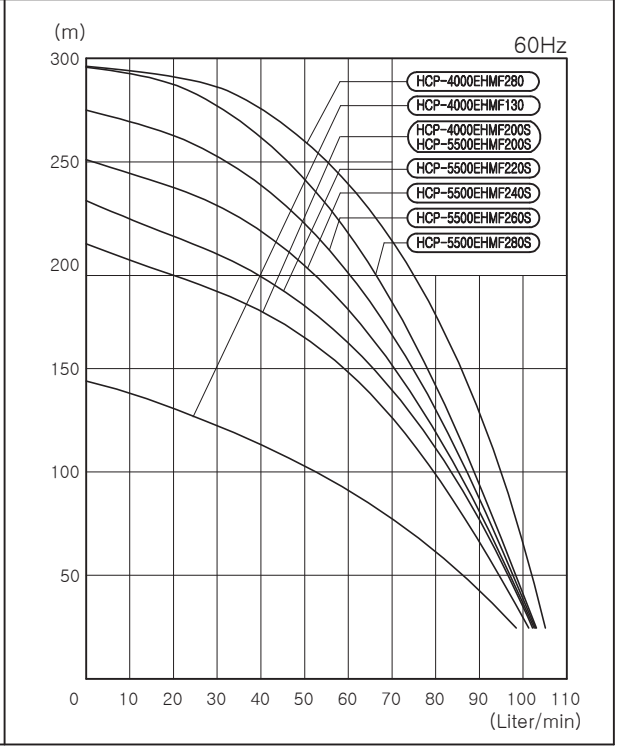
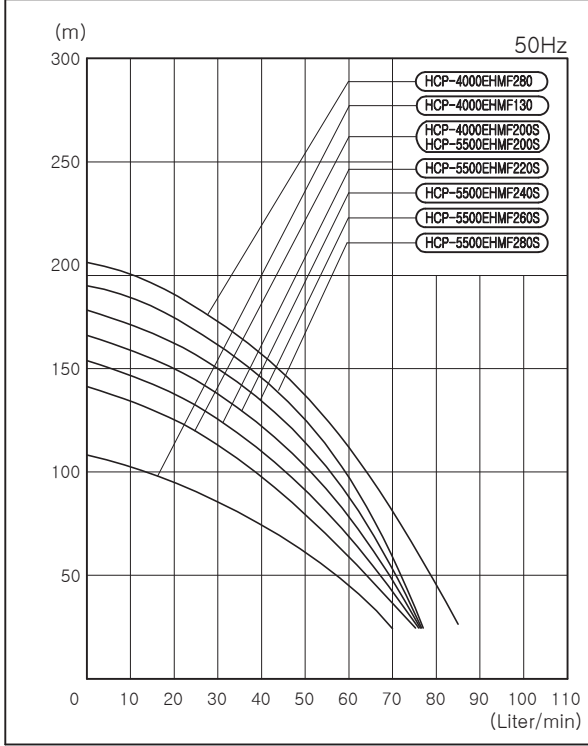


Feature

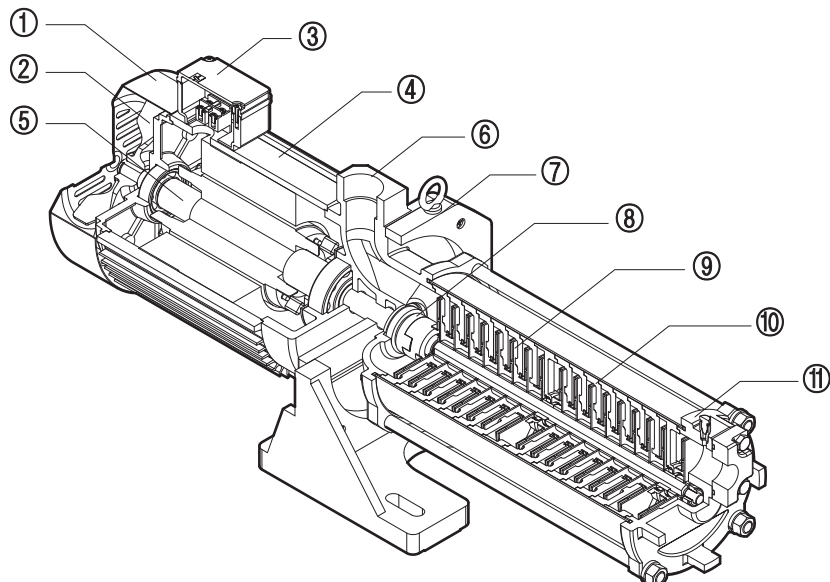
1. HCP-HMF(S) Type과 동일한 압력형 다단 원심펌프
 2. 고압의 절삭유 토출로 대형 · 정밀 공작기계의 가공물 냉각 및 세척용 펌프로 사용
 3. Mechanical Seal이 장착되어 장시간의 공회전은 금지함 (공회전 30초 이상 금지)
 4. 일체형 축으로 제작되어 내구성과 관리가 용이함
1. Multi-step centrifugal pump that is identical with HCP-HMF(S) Type.
 2. Used as cooling and cleaning pump for large scale / high precision manufacturing machine via discharge of high pressure cutting oil.
 3. Prolonged idling is prohibited due to the installed mechanical seal. (Idling for more than 30 seconds is prohibited)
 4. It is produced with a single-unit shaft, which increases durability and makes management easy.

Performance Curve

Oil for testing: ISO-VG2, Temperature 20°C



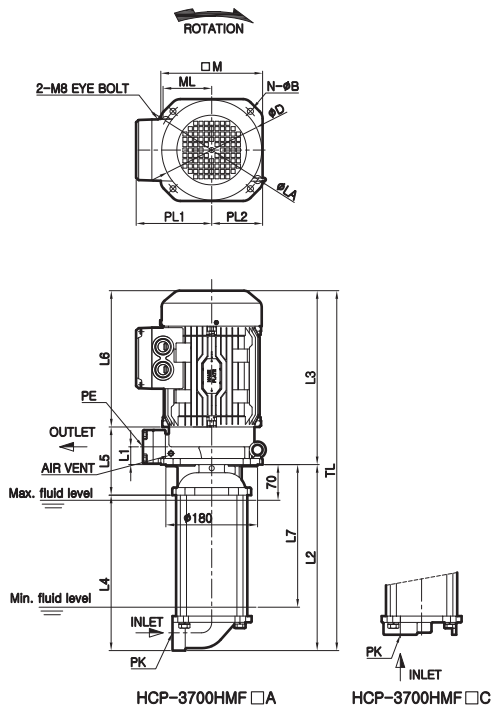
- 비수용성 절삭유 사용시 32cSt 이하의 점도를 사용하여야 하며, 수용성 절삭유에 비하여 펌프성능(압력·유량)이 저하됨.
- When using non water-soluble cutting fluid, Viscosity must be under 32cSt, Pump performance (pressure and quantity) will decrease compared to water-soluble cutting fluid.



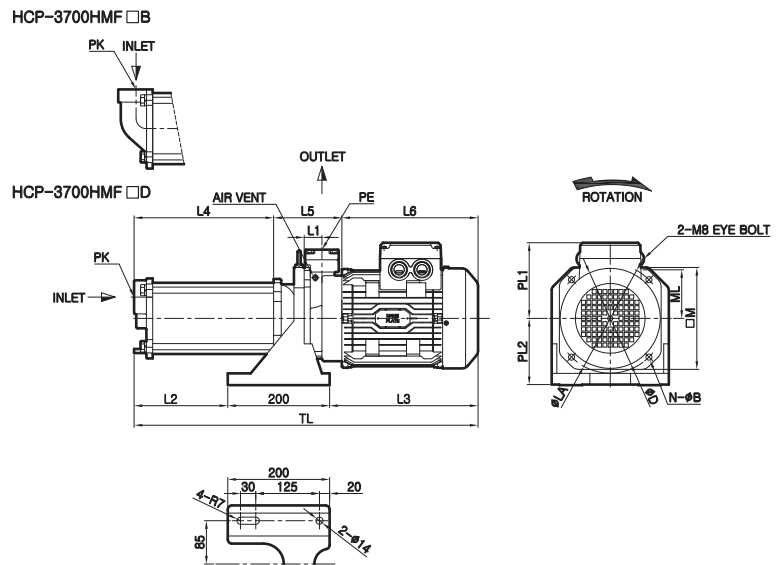
No	PART NAME	No	PART NAME	No	PART NAME
1	FAN COVER	5	SHAFT	9	IMPELLER
2	FAN	6	BODY	10	IMPELLER CASING
3	TERMINAL BLOCK	7	FLANGE	11	INLET COVER
4	MOTOR	8	IMPELLER SEAL	-	-

External Figure

HCP-4000HMF □A / □C



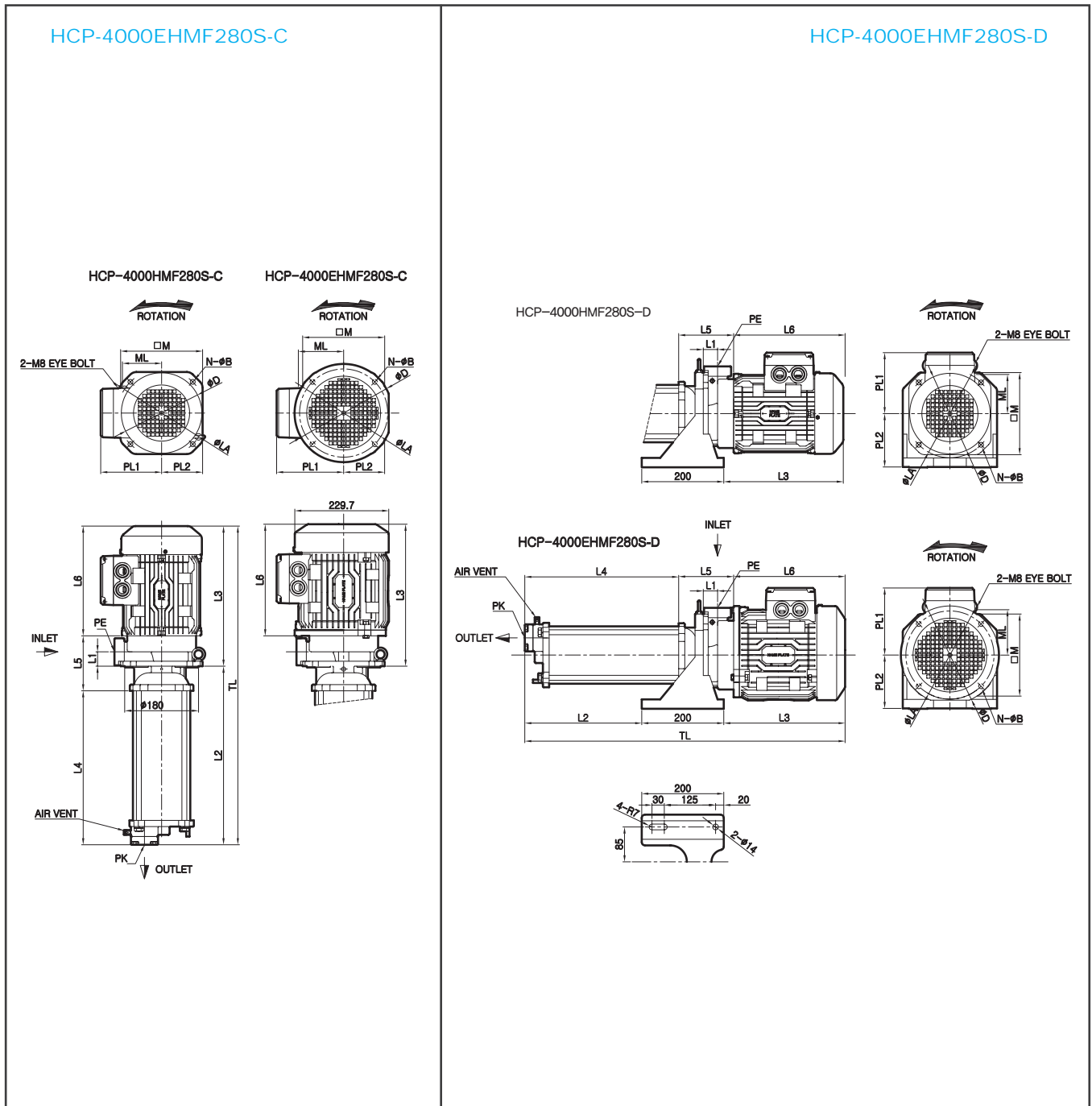
HCP-4000HMF □B / □D



Dimension

Type	Item	∅ D	L1	L2	L3	L4	L5	L6	L7	PE (PT)	TL	LA	N-∅B	PL1	PL2	M	ML	PK (PF)
HCP-4000HMF130A		196.4	35	291.1	341.5	231.2	134	267.5	200	3/4"	632.7	215	4-12	148.5	100	200	95.5	1 1/2"
HCP-4000HMF130B		196.4	35	141.2	291.5	231.2	134	267.5	-	3/4"	632.7	215	4-12	148.5	130	200	95.5	1 1/2"
HCP-4000HMF130C		196.4	35	260.1	341.5	200.1	134	267.5	200	3/4"	601.6	215	4-12	148.5	100	200	95.5	1 1/4"
HCP-4000HMF130D		196.4	35	110.1	291.5	200.1	134	267.5	-	3/4"	601.6	215	4-12	148.5	130	200	95.5	1 1/4"
HCP-4000HMF200A		196.4	35	365.2	341.5	305.2	134	267.5	280	3/4"	706.7	215	4-12	148.5	100	200	95.5	1 1/2"
HCP-4000HMF200B		196.4	35	215.2	291.5	305.2	134	267.5	-	3/4"	706.7	215	4-12	148.5	130	200	95.5	1 1/2"
HCP-4000HMF200C		196.4	35	334.1	341.5	274.1	134	267.5	280	3/4"	675.6	215	4-12	148.5	100	200	95.5	1 1/4"
HCP-4000HMF200D		196.4	35	184.1	291.5	274.1	134	267.5	-	3/4"	675.6	215	4-12	148.5	130	200	95.5	1 1/4"

External Figure

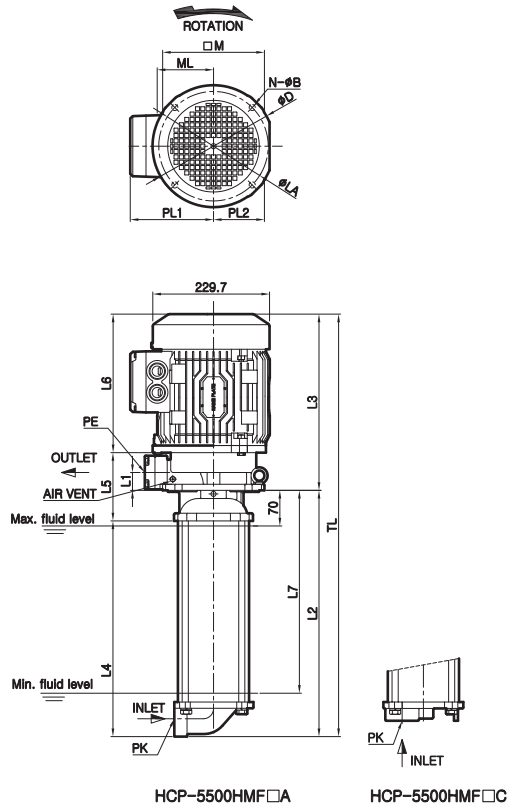


Dimension

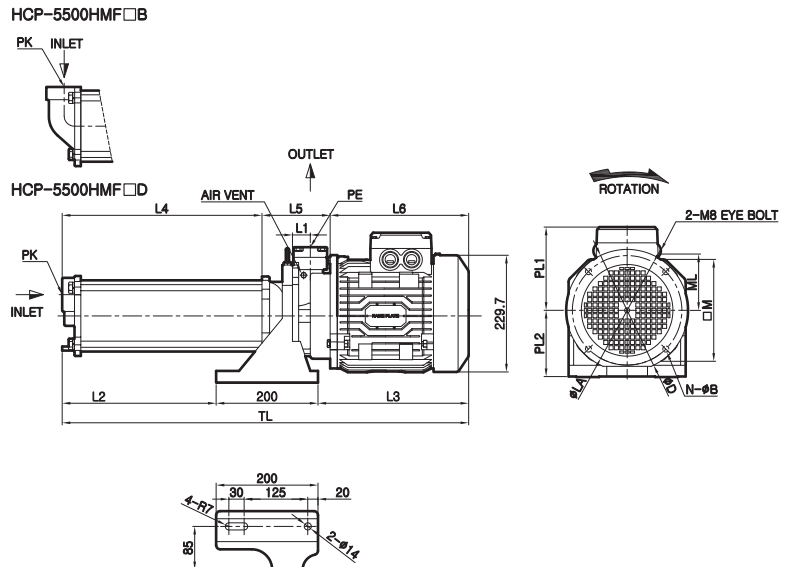
Type	Item	øD	L1	L2	L3	L4	L5	L6	PE (PT)	TL	LA	N-øB	PL1	PL2	M	ML	PK (PF)
HCP-4000EHMF200S-C		239.4	35	436	346	376	144	272	1 1/4"	797	215	4-12	163	100	200	110.5	3/4"
HCP-4000EHMF200S-D		239.4	35	286	296	376	144	272	1 1/4"	797	215	4-12	163	130	200	110.5	3/4"
HCP-4000EHMF280S-C		239.4	35	436	346	376	144	272	1 1/4"	782	215	4-12	163	100	200	110.5	3/4"
HCP-4000EHMF280S-D		239.4	35	286	296	376	144	272	1 1/4"	782	215	4-12	163	130	200	110.5	3/4"

External Figure

HCP-5500ELMF □A / □C



HCP-5500ELMF □B / □D



Dimension

Type	Item	∅ D	L1	L2	L3	L4	L5	L6	L7	PE (PT)	TL	LA	N-∅B	PL1	PL2	M	ML	PK (PF)
HCP-5500ELMF200A		239	35	384	346	324	144	272	298,5	3/4"	730	215	4-12	163,5	100	200	110,5	1 1/2"
HCP-5500ELMF200B		239	35	233,7	296	324	144	272	-	3/4"	730	215	4-12	163,5	130	200	110,5	1 1/2"
HCP-5500ELMF200C		239	35	353	346	293	144	272	298,5	3/4"	699	215	4-12	163,5	100	200	110,5	1 1/4"
HCP-5500ELMF200D		239	35	203	296	293	144	272	-	3/4"	699	215	4-12	163,5	130	200	110,5	1 1/4"
HCP-5500ELMF220A		239	35	410	346	350	144	272	324,3	3/4"	756	215	4-12	163,5	100	200	110,5	1 1/2"
HCP-5500ELMF220B		239	35	260	296	350	144	272	-	3/4"	756	215	4-12	163,5	130	200	110,5	1 1/2"
HCP-5500ELMF220C		239	35	379	346	318	144	272	324,3	3/4"	724	215	4-12	163,5	100	200	110,5	1 1/4"
HCP-5500ELMF220D		239	35	228	296	318	144	272	-	3/4"	724	215	4-12	163,5	130	200	110,5	1 1/4"
HCP-5500ELMF240A		239	35	428	346	368	144	272	342,8	3/4"	774	215	4-12	163,5	100	200	110,5	1 1/2"
HCP-5500ELMF240B		239	35	278	296	368	144	272	-	3/4"	774	215	4-12	163,5	130	200	110,5	1 1/2"
HCP-5500ELMF240C		239	35	397	346	337	144	272	342,8	3/4"	743	215	4-12	163,5	100	200	110,5	1 1/4"
HCP-5500ELMF240D		239	35	247	296	337	144	272	-	3/4"	743	215	4-12	163,5	130	200	110,5	1 1/4"
HCP-5500ELMF260A		239	35	465	346	405	144	272	379,8	3/4"	811	215	4-12	163,5	100	200	110,5	1 1/2"
HCP-5500ELMF260B		239	35	315	296	405	144	272	-	3/4"	811	215	4-12	163,5	130	200	110,5	1 1/2"
HCP-5500ELMF260C		239	35	434	346	374	144	272	379,8	3/4"	780	215	4-12	163,5	100	200	110,5	1 1/4"
HCP-5500ELMF260D		239	35	284	296	374	144	272	-	3/4"	780	215	4-12	163,5	100	200	110,5	1 1/4"
HCP-5500ELMF280A		239	35	484	346	424	144	272	398,3	3/4"	830	215	4-12	163,5	100	200	110,5	1 1/2"
HCP-5500ELMF280B		239	35	334	296	424	144	272	-	3/4"	830	215	4-12	163,5	130	200	110,5	1 1/2"
HCP-5500ELMF280C		239	35	452	346	392	144	272	398,3	3/4"	798	215	4-12	163,5	100	200	110,5	1 1/4"
HCP-5500ELMF280D		239	35	302	296	392	144	272	-	3/4"	798	215	4-12	163,5	130	200	110,5	1 1/4"