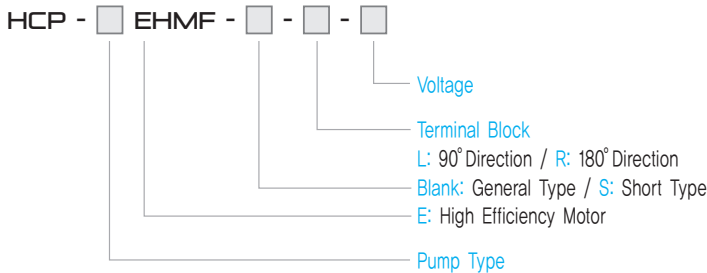




Model



Feature

1. HCP-□EHMF(S)
 - 동일한 펌프 취부자리로 교체가 용이함
 - Mechanical Seal이 장착되어 장시간의 공회전은 금지함 (공회전 10초 이상 금지)
 - 일체형 축으로 제작되어 내구성과 관리가 용이함
 2. HCP-□EHMF(S)
 - HCP-EHMF(S) Type에 고효율 모터를 장착
 - 효율의 극대화로 우수한 절전 및 투자비 회수가 가능한 높은 경제성
 - 낮은 온도상승, 고 절연재료 사용으로 권선수명연장
 - 고효율 에너지 기자재 마크 획득
-
1. HCP-□EHMF(S)
 - Identical pump spray areas make exchanges easy.
 - Prolonged idling is prohibited due to the installed mechanical seal. (Idling for more than 10 seconds is prohibited)
 - It is produced with a single-unit shaft, which increases durability and makes management easy.
 2. HCP-□EHMF(S)
 - High efficiency motor is installed in HCP-EHMF(S) Type.
 - Excellent electricity savings and high economic return on investment through optimized efficiency.
 - Increase in life-time use through slow temperature increase and use of highly energy-efficient energy materials.
 - Acquired high efficiency energy equipment mark.

Pump Spec.

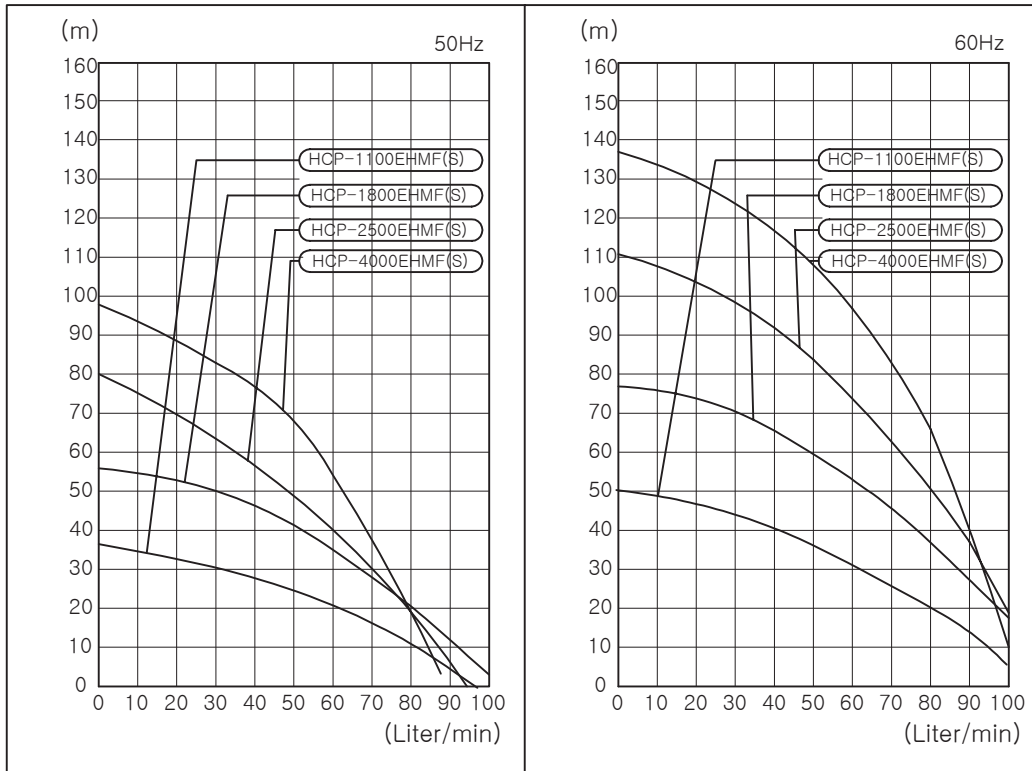
Specification Type	MOTOR						PUMP		
	OUTPUT(W)	FREQUENCY(Hz)	VOLTAGE(V)	CURRENT(A)	PHASE	POLES	TOTAL HEAD(m)	DIS. VOL(l/min)	PIPE SIZE(PT)
HCP-1100EHMF(S)	1100	50	220 380	4.3 2.5	3	2	30	30	3/4"
		60	200/220 380	5.1 3.0			45		
HCP-1800EHMF(S)	1800	50	200 380	6.5 3.8	3	2	50	30	3/4"
		60	200/220 380	7.0 4.1			70		
HCP-2500EHMF(S)	2500	50	200 380	8.7 5.2	3	2	70	30	3/4"
		60	200/220 380	9.7 5.6			100		
HCP-4000EHMF(S)	4000	50	200 380	16.0 8.5	3	2	90	20	3/4"
		60	200/220 380	18.0 10.7			130		

Packing Spec.

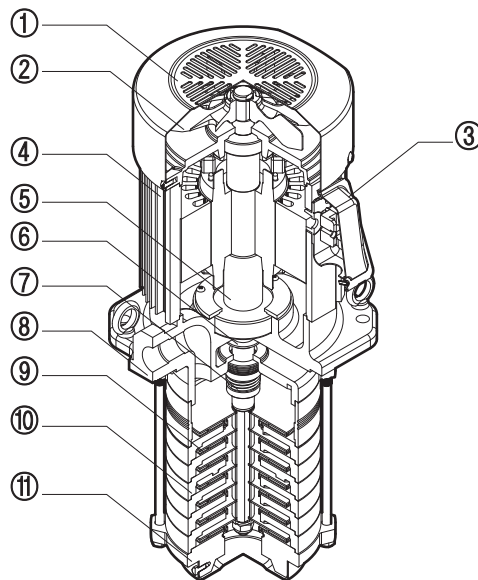
MODEL NAME	PACKING SIZE(cm)	WEIGHT(kg)	
		PUMP	PACKING
HCP-1100EHMF	50(W) x 30(L) x 27(D)	26	27
HCP-1100EHMFS		25	27
HCP-1800EHMFS		28	29
HCP-1800EHMF	63(W) x 29(L) x 30(D)	29	30
HCP-2500EHMF		39	40
HCP-2500EHMFS		38	39
HCP-4000EHMF		45	46
HCP-4000EHMFS		44	45

Performance Curve

Oil for testing: ISO-VG32, Temperature 20°C



- 비수용성 절삭유 사용시 32cSt 이하의 점도를 사용하여야 하며, 수용성 절삭유에 비하여 펌프성능(압력·유량)이 저하됨.
- When using non water-soluble cutting fluid, Viscosity must be under 32cSt, Pump performance (pressure and quantity) will decrease compared to water-soluble cutting fluid.

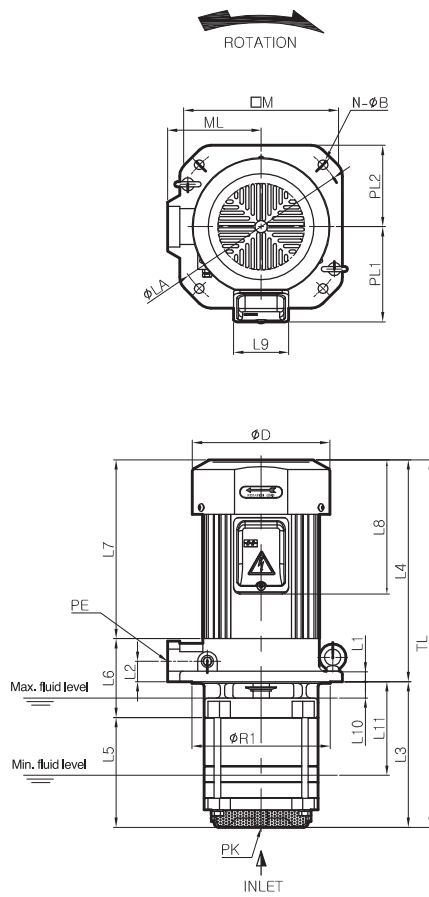


No	PART NAME	No	PART NAME	No	PART NAME
1	FAN COVER	5	SHAFT	9	IMPELLER
2	FAN	6	STOPPER	10	IMPELLER CASING
3	TERMINAL BLOCK	7	IMPELLER SEAL	11	INLET COVER
4	MOTOR	8	BODY	-	-

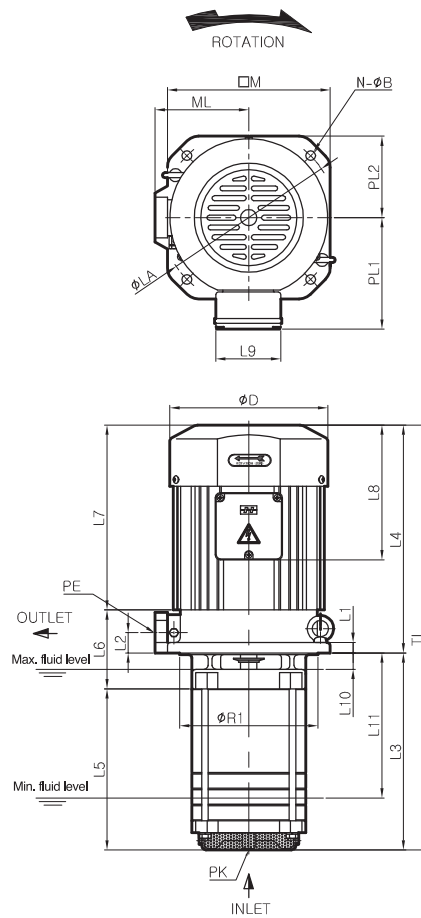
HCP EHMf

External Figure

HCP-1100EHMF(S)~HCP-2500EHMF(S)



HCP-4000EHMF(S)



Dimension

Type	Item	øD	L1	L2	L3	L4	L5	L6	L7	L8	L9	L10	L11	PE (PT)	TL	R1	LA	N-ØB	PL1	PL2	M	ML	PK (PF)
HCP-1100EHMF		169	13	25	179	272.5	136	97	219.5	164	68	20	115	3/4"	451	170	215	4-12	119	100	200	115	1 1/2"
HCP-1100EHMF(S)		162.5	13	25	154	272.5	111	97	219.5	164	68	20	90	3/4"	426	170	215	4-12	119	100	200	115	1 1/2"
HCP-1800EHMF		86	13	25	243	280	199	97	227	164	83	20	178	3/4"	523	170	215	4-12	137	100	200	115	1 1/2"
HCP-1800EHMF(S)		186	13	25	195	280	151	97	227	164	83	20	130	3/4"	475	170	215	4-12	137	100	200	115	1 1/2"
HCP-2500EHMF		186	13	25	290	306	246	97	253	164	83	20	224	3/4"	596	170	215	4-12	137	100	200	115	1 1/2"
HCP-2500EHMF(S)		186	13	25	250	306	206	97	253	164	83	20	184	3/4"	556	170	215	4-12	137	100	200	115	1 1/2"
HCP-4000EHMF		186	13	25	359	326	316	97	273	170	95	20	302	3/4"	687	170	215	4-12	154	100	200	115	1 1/2"
HCP-4000EHMF(S)		186	13	25	312	326	269	97	273	170	95	20	255	3/4"	638	170	215	4-12	154	100	200	115	1 1/2"