

## PI-Z-D Series

Magnetic Drive Pump with computer-controlled DC brush-less motor, fixed-speed & variable-speed

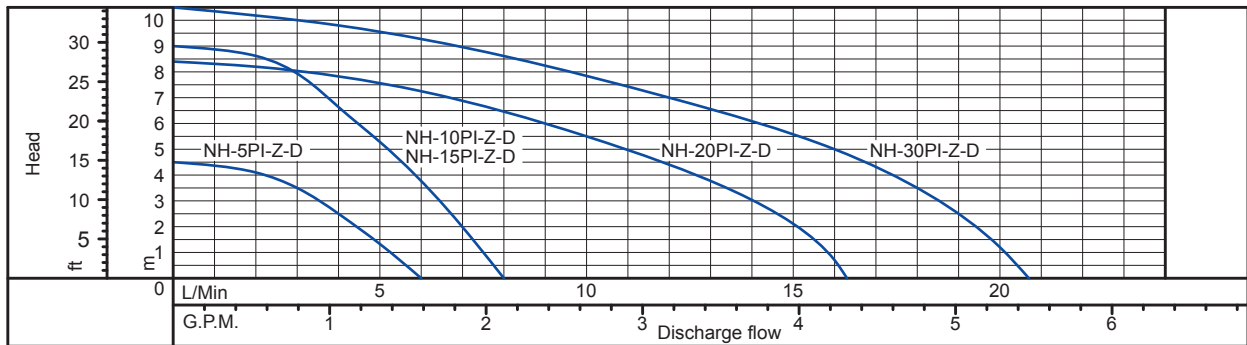
- Magnetic Drive Pump equipped with DC brush-less motor, printed circuit board & variable speed controller.
- Can accept external 4-20mA for maintaining constant flow and pressure and also pH adjustment.
- Motor efficiency doubles that of the AC type.
- Space saving.



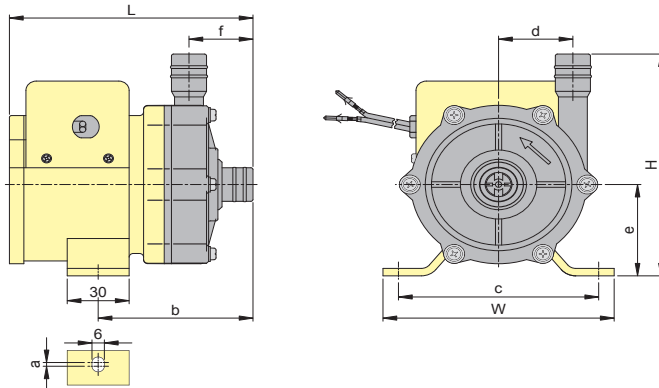
### Specification table

Model	Connection Discharge × Suction mm(inch)	Max flow L/min (GPM)	Max head m (ft)	Motor		
				Power (V)	Output × Input (w)	Speed (rpm)
NH-5PI-Z-D	8×14 (5/16"×9/16")	6 (1.6)	4.5 (14.8)	DC24V,DC12V	8 × 13	3700
NH-10PI-Z-D	8×14 (5/16"×9/16")	8 (2.2)	9 (29)	DC24V	18 × 30	5500
NH-15PI-Z-D	8×18 (5/16"×11/16")	8 (2.2)	9 (29)	DC24V	20 × 45	3200
NH-20PI-Z-D	18×18 (11/16"×11/16")	16 (4.2)	8.2 (27)	DC24V	30 × 55	3000
NH-30PI-Z-D	18×18 (11/16"×11/16")	20 (5.4)	11(36)	DC24V	45 × 65	3300

### Pump performance curve



### Installation dimension



NH-PI-Z-D Dimensions in mm(inch)

Model	W	H	L	a	b	c	d	e	f
NH-5PI-Z-D	74 (2.91")	90 (3.54")	100 (3.94")	0 (0")	67.5 (2.66")	60 (2.36")	21 (0.83")	4.5 (1.77")	26.5 (1.04")
NH-10PI-Z-D	74 (2.91")	90 (3.54")	100 (3.94")	0 (0")	67.5 (2.66")	60 (2.36")	21 (0.83")	4.5 (1.77")	26.5 (1.04")
NH-15PI-Z-D	112 (4.41")	119 (4.69")	118 (4.65")	2 (0.08")	75 (2.95")	97 (3.82")	36 (1.42")	49 (1.93")	31 (1.22")
NH-20PI-Z-D	112 (4.41")	119 (4.69")	118 (4.65")	2 (0.08")	75 (2.95")	97 (3.82")	36 (1.42")	49 (1.93")	31 (1.22")
NH-30PI-Z-D	112 (4.41")	119 (4.69")	123 (4.84")	2 (0.08")	75 (2.95")	97 (3.82")	36 (1.42")	49 (1.93")	31 (1.22")