

### Technical characteristics

- Flow rates: from 2 to 110 l/h
- Max back pressure: up to 20 bar
- Power supply:
  - 100÷240V 50/60 Hz
- Stroke rate: from 120 to 300 strokes/minute
- Pump head:
  - PVDF
- Diaphragm: PTFE
- External Enclosure: PP reinforced with fiber glass  
protection degree IP65
- Manually priming valve
- Installation kit: Included

Seko Tekna ATL Series is an analogic dosing pump with:

- Constant flow rate manually adjustable
- Timed dosage with Ton-Toff with double regulation
- Proportional flow rate according to an external digital signal (water meter)
- Three regulation knobs:
  - Flow rate percentage
  - Ton regulation
  - Toff regulation

Only with 4 sizes, is possible to cover a wide range of performances, having a flow rate range from 2 to 110 l/h and a back pressure from 0.1 to 20 bar. The power supply is 100÷240 Vac – 50/60 Hz therefore the same pump can operate with different supply voltage.

The standard pump head is in PVDF, therefore high chemical compatibility with several liquids end but is available in PVC as well, on request.

Tekna ATL 400 is available in standard version and **Air Cond** version, which is equipped with mist emitter instead of injection fitting, for dosing fragrances.

All Tekna series are equipped with a manually priming pump for the start up.

The pump is furnished with a complete standard installation kit, which includes: PVDF foot filter and injection valve, PVC suction tube, PE delivery tube. Moreover is available an installation kit in PVDF-T, on request.

# DOSING PUMP

## TEKNA ATL SERIES – Solenoid Dosing Pump



### PUMP KEY CODE

Field 1	Field 2	Field 3	Field 4	Field 5	Field 6	Field 7
ATL	800	N	H	P	0	000

Field 1	model	←
Field 2	hydraulics	←
Field 3	power supply	←
Field 4	liquid end	←
Field 5	installation kit	←
Field 6	seals	←
Field 7	customization	←

Field 1	model	<b>Analog</b>
		ATL

Field 2	hydraulics	bar	l/h	stroke/1'	ml/stroke	tubing Ø	consumption
400		10	2	120	0,19	in - 4/6 out - 4/7	-
		7	3		0,28		
		2	6		0,56		
600		20	2,5	120	0,35	in - 4/6 out - 4/7	-
		18	3		0,42		
		14	4,2		0,58		
603		8	7	160	0,97	in - 4/6 out - 4/6	-
		12	4		0,42		
		10	5		0,52		
800		8	6	300	0,63	in - 4/6 out - 4/6	-
		2	8		0,83		
		16	7		0,39		
803		10	10	300	0,55	in - 4/6 out - 4/6	-
		5	15		0,83		
		1	18		1,00		
803		5	20	300	1,11	in - 8/12 out - 8/12	-
		4	32		1,78		
		2	62		3,44		
		0	110		6,11		

Field 3	power supply	<b>N</b> 100÷240 Vac
---------	--------------	----------------------

Field 4	liquid end	Body	Connections	Balls	Diaphragm
	<b>H</b>	PVDF	PVDF	Ceramic	PTFE
	<b>A</b>	PVDF	PVDF	Ceramic	PTFE
	<b>I</b>	AISI316L		AISI316L	PTFE

**A** Pump head with automatic degassing valve. Only for 603 and 800 series

Field 5	installation kit	<b>H</b> PVDF
		<b>P</b> PVDF-T

Field 6	seals	<b>0</b> FPM
		<b>1</b> EPDM
		<b>2</b> Elastomer Free

Field 7	customization	<b>000</b> standard
---------	---------------	---------------------

# DOSING PUMP

## TEKNA ATL SERIES – Solenoid Dosing Pump



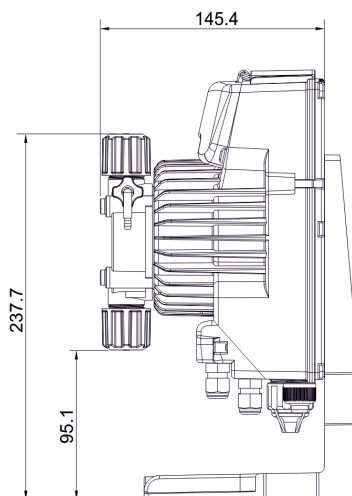
### HYDRAULIC CHARACTERISTICS

Pump Model	Pressure [bar]	Flow Rate [l/h]	Frequency max [stroke/min]	Stroke capacity [cc/stroke]	Connection [mm]		Power supply	Consumption [W]	
					Suction	Discharge		Min	Max
ATL 400 N	10	2	180	0,19	4/6	4/6	100÷240 Vac	-	-
	7	3		0,28					
	2	6		0,56					
ATL 600 N	20	2,5	120	0,35	4/6	4/7	100÷240 Vac	-	-
	18	3		0,42					
	14	4,2		0,58					
	8	7		0,97					
ATL 603 N	12	4	160	0,42	4/6	4/6	100÷240 Vac	-	-
	10	5		0,52					
	8	6		0,63					
	2	8		0,83					
ATL 800 N	16	7	300	0,39	4/6	4/6	100÷240 Vac	-	-
	10	10		0,56					
	5	15		0,83					
	1	18		1,00					
ATL 803 N	5	20	300	1,11	8/12	8/12	100÷240 Vac	-	-
	4	32		1,78					
	2	62		3,44					
	0	110		6,11					

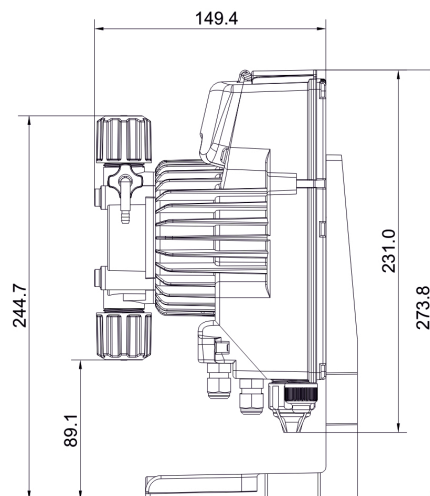
The Pressure Data in the table refer to the measured parameters on the plant, including the use of SEKO STANDARD injection fitting.

\*Minimum consumption at 0 bar of back pressure (Patented)

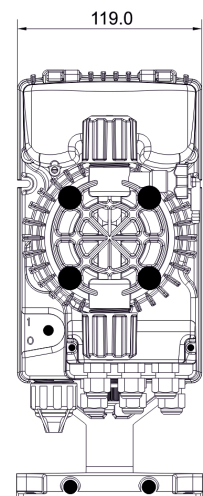
### DIMENSIONS



400 - 600 - 603 - 800



803



400 - 600 - 603 - 800 - 803

# DOSING PUMP

## TEKNA ATL SERIES – Solenoid Dosing Pump



### INSTALLATION KIT

	PVDF	PVDF-T
PVDF foot filter	•	
PVDF injection valve	•	
PVDF-T foot filter		•
PVDF-T Injection valve		•
PVC suction tube (4 m)	•	
PE delivery tube (2 m)	•	
Wall and base fixing bracket	•	

