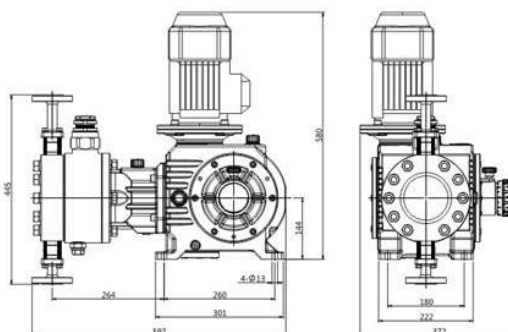


JYSR Series



Parameter Table

Model	50Hz			60Hz			Pressure		Piston Dia. (mm)	Diaphragm Dia. (mm)	Stroke Length (mm)	Power KW(HP)	Inlet&Outlet Size	Connection Size
	Flow (lph)	Flow (gph)	SPM	Flow (gph)	Flow (lph)	SPM	(Bar)	(Psi)						
JYSR 28/22	28	7.4	96	8.9	34	115	220	3190	16	92	30	1.5(2)	DN10	10*16 mm (union for welding)
JYSR 42/22	42	11	144	13	50	173	220	3190	16	92				
JYSR 50/18	56	15		18	67		180	2610	18	92				
JYSR 70/14	70	18		22	84		140	2030	20	110				
JYSR 85/12	85	22		27	102		120	1740	22	110				
JYSR 110/9.0	110	29		35	132		90	1305	25	110				
JYSR 165/6.5	165	44	52	198	65	943	30	130	DN15	15*24mm (union for welding)				
JYSR 190/5.6	190	50	60	228	56	812	32	130						
JYSR 250/4.5	250	66	79	300	45	653	36	130						
JYSR 300/3.6	300	79	95	360	36	522	40	150					DN15	DN15 RF
JYSR 380/2.8	380	100	120	456	28	406	45	150	DN20	DN20 RF				
JYSR 480/2.3	480	127	152	576	23	334	50	150						
JYSR 580/1.8	580	153	184	696	18	261	55	150						
JYSR 700/1.6	700	185	222	840	16	232	60	150						