

## Dry Running

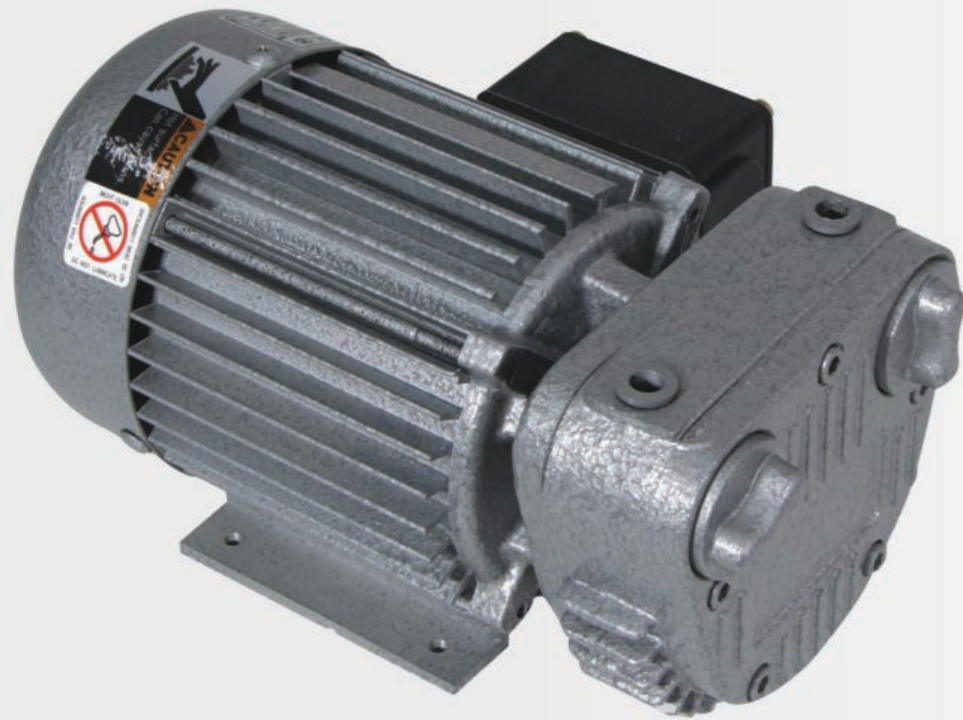
## Rotary Vane Vacuum Pumps

**SML 120/140**

120 ℓ /min (50Hz)

140 ℓ /min (60Hz)

660mmHg



SML 140

- **Reliability**

High quality material ,quality control according to ISO9001, CE, mark authentication standard, automated machining facility, computer control process, etc. Guarantee standardized and accurate product manufacturing.

- **Environmentally safe**

Air cooling , low vibration and low noise level, filter of draw out allows this pump to be used for vacuum and compression in any environment without using oil.

- **Easy to service**

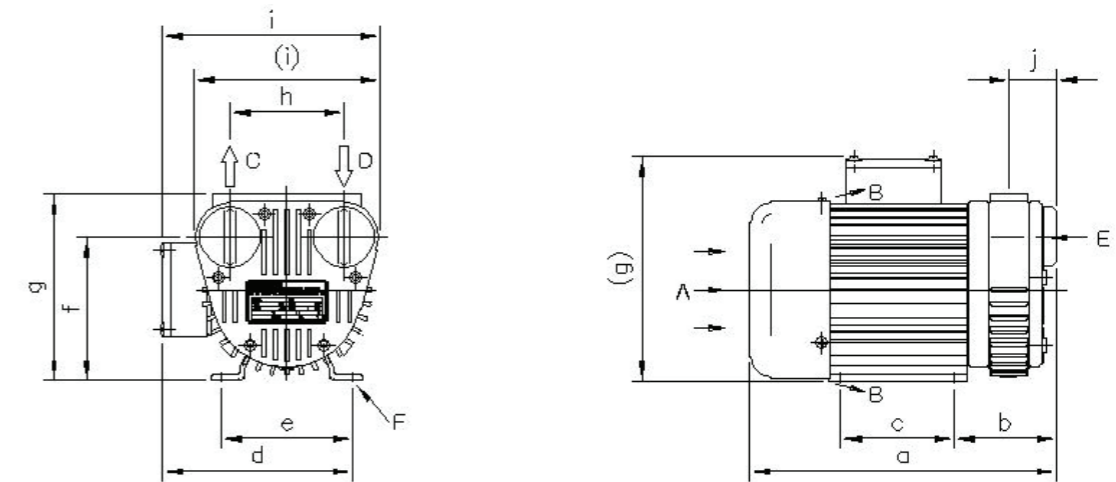
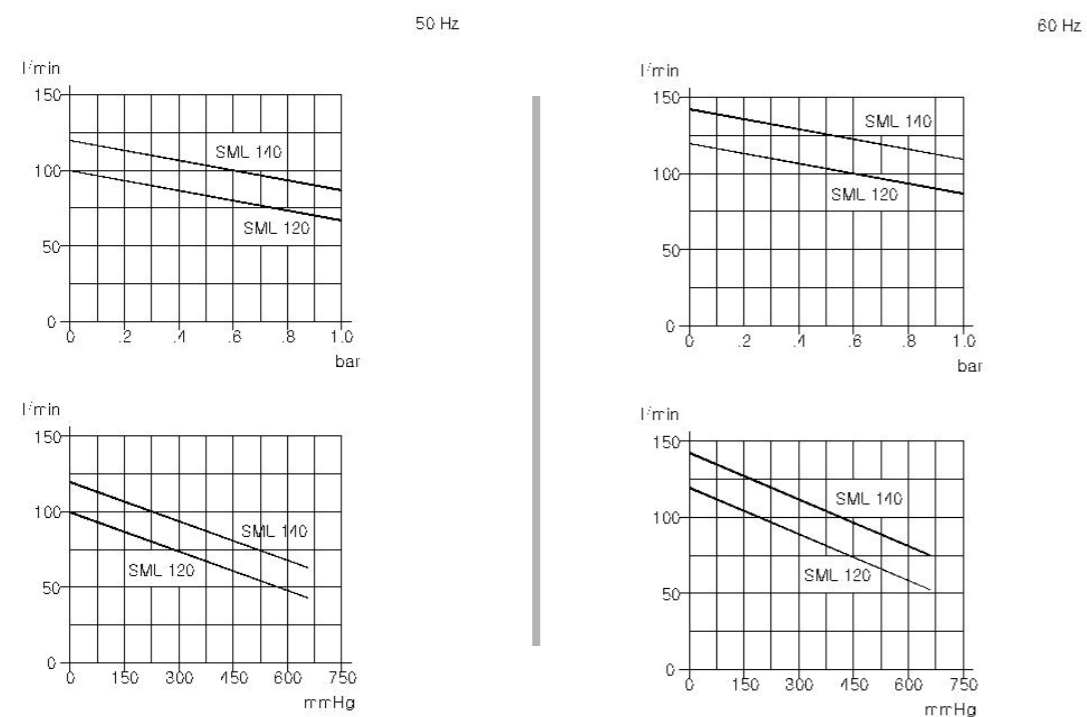
Compact design, air cooling and easy access allows rapid and simple servicing with long periods with service. This pump is easy to change the carbon vane of main part designed with easy to assembly and disassembly. So, this pump is available using long period.

- **Miniaturization**

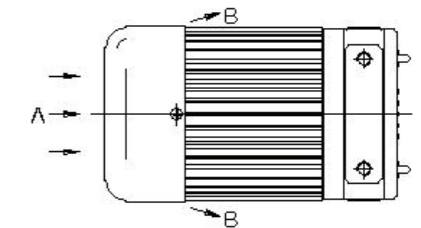
This is simple type that spindle of flange motor connect pump rotor & cylinder directly and cooling type used with cooling fan, This pump is small size and lightweight. Packing machine, Printing Machine, Medical instrument and vacuum adhesion move, etc.

## Rotary Vane Vacuum Pumps SML 120/140

Technical Data		SML-120	SML-140		
Norminal displacement	50Hz l /min	100	120		
	60Hz l /min	120	140		
Ultimate pressure	50Hz mmHg	680	680		
	60Hz mmHg	680	680		
Ultimate pressure	50Hz bar	1.0	1.0		
	60Hz bar	1.0	1.0		
Motor version (3~)	50Hz V	-	-		
	60Hz V	-	-		
Motor version (1~)	50Hz V	230	230		
	60Hz V	220	220		
Nominal motor rating (3~)	kW	-	-		
Nominal motor rating (1~)	kW	0,12	0,25		
Nominal motor speed	50Hz min <sup>-1</sup>	3000	1425		
	60Hz min <sup>-1</sup>	3600	1725		
Sound level	dB(A)	58	58		
Operating temperature (Ambient)	°C	40	40		
Weight approx	50Hz kg	9	13,5		
	60Hz kg	9	13,5		



Marked "( )" SML-120 only



A	Cooling air entry
B	Cooling air exit
C	Exhaust port
D	Inlet flange
E	Inlet & Exhaust filter
F	Pump base
-	-
-	-

Model	a	b	c	d	e	f	g	h	i	j	k	l
SML-120	245	90	80	-	100	92	160	69	120	21	1/4	1/4
SML-140	245	81,5	90	151	104,5	114	148	91	172,5	38	1/4	1/4