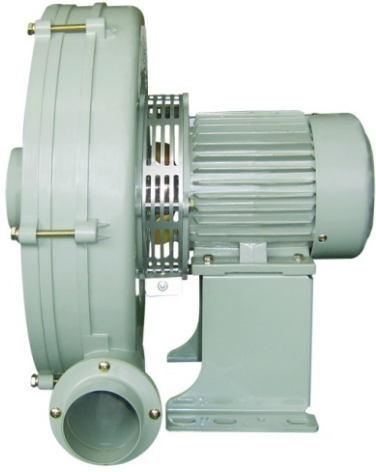


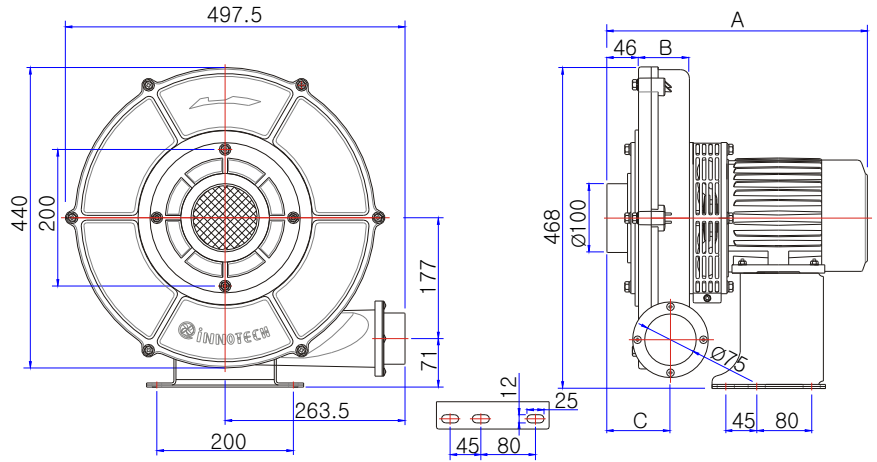
고압다단 송풍기

High-pressure multilevel blowers

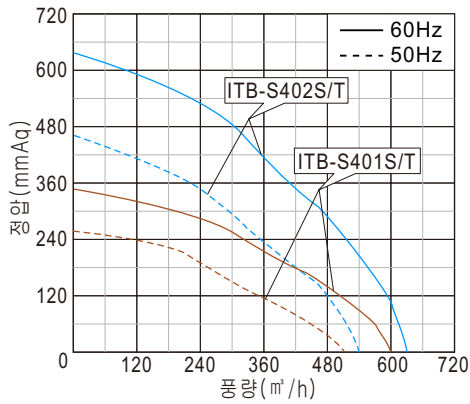


ITB-S401S, S402S
ITB-S401T, S402T

도면(Unit: mm)



성능곡선



※.고온용 흡입온도 150℃까지 사용가능

(Unit: mm)

Model	A	B	C
ITB-S401S/T	379	74	92.5
ITB-S402S/T	418	113	131.4

※본 제품은 50/60Hz 겸용입니다.

모델 Model	전원 Source (ϕ / V/Hz)	날개크기 Impeller Size (mm)	전류 Current (A)	극수 Pole (P)	소비전력 Input (W)	최대풍량 Air Volume (m³/h)	최대정압 Air Pressure (mmAq) (Pa)	회전수 Rated Speed (rpm)	중량 Weight (Kg)
ITB-S401S	1/220/60	ϕ 390×17T	5.25	2	1,134	600	352 3,450	3,435	21.9
	1/220/50		3.95		760	510	260 2,548	2,925	
ITB-S401T	3/220-380/60	ϕ 390×17T	3.5-1.9	2	1,060	600	352 3,450	3,390	21.8
	3/220-380/50		3.6-2.0		711	510	260 2,548	2,920	
ITB-S402S	1/220/60	ϕ 390×17T×1 ϕ 390×11T×1	6.70	2	1,460	630	635 6,223	3,480	24.6
	1/220/50		4.70		950	540	465 4,557	2,938	
ITB-S402T	3/220-380/60	ϕ 390×17T×1 ϕ 390×11T×1	4.3-2.4	2	1,440	630	635 6,223	3,450	24.5
	3/220-380/50		3.6-2.0		910	540	465 4,557	2,942	