

电动调节隔膜阀

Electric adjustment diaphragm valves



智能型电动执行器

该执行器是一款直行程运动，具有PID控制算法的一款智能电动执行器，它可以在断电时自动返回至设定好的安全位置。同时具有光学传感器检测人体或物体感应实现阀门开启和关闭功能。满足于所有规格的隔膜阀。

技术特点：

- ◆LCD显示 中、英文菜单
- ◆单键自整定
- ◆支持手动操作
- ◆输入 0/4-20mA
- ◆输出 0/4-20mA
- ◆总线通讯 mode bus rs485
- ◆断电时自动复位至安全位置
- ◆人体感应 自动开启和关闭功能
- ◆电源 DC24V ± 10%



Intelligent electric actuator

The actuator is a linear stroke movement, with PID control algorithm, which automatically returns to safe position which had be set before once power outage. Also has an optical sensor to detect a person or object induction to achieve valve opening and closing function. Meet all sizes of the diaphragm

Features:

- ◆LCD with a Chinese, English menu
- ◆Single button auto-tuning
- ◆Support manual operation
- ◆Input 0 / 4-20mA
- ◆Output 0 / 4-20mA
- ◆Bus communication mode bus rs485
- ◆Automatically return to safe position which had be set before once power outage
- ◆The human body sensors to automatically open and close
- ◆Power supply DC24V ± 10%



电动调节隔膜阀

Electric adjustment diaphragm valves



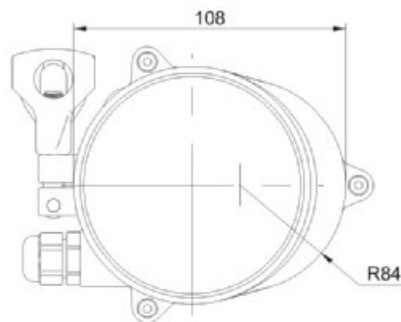
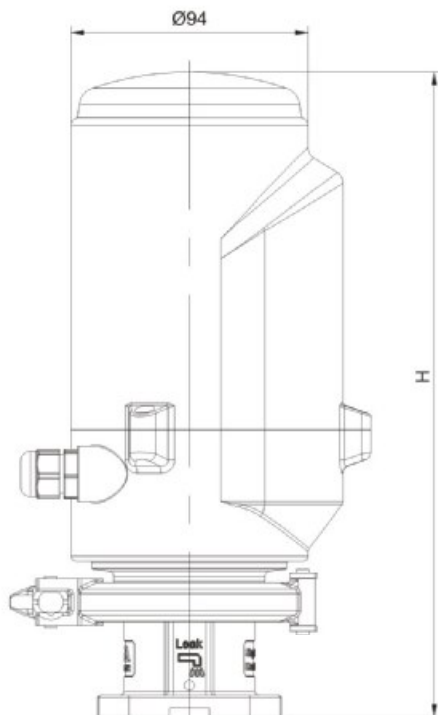
电动隔膜阀 Electric diaphragm valve

技术特点:

- ◆ LCD显示中, 英文菜单
- ◆ 单键自整定
- ◆ 支持手动操作
- ◆ 输入 0/4-20mA
- ◆ 输出 0/4-20mA
- ◆ 总线通讯 mode bus rs485
- ◆ 断电时自动复位至安全位置
- ◆ 人体感应自动开启和关闭功能
- ◆ 电源 DC24V ± 10%

Technical Features:

- ◆ LCD with a Chinese, English menu
- ◆ Single button auto-tuning
- ◆ Support manual operation
- ◆ Input 0 / 4-20mA
- ◆ Output 0 / 4-20mA
- ◆ Bus communication mode bus rs485
- ◆ Automatically return to safe position which had be set before once power outage
- ◆ The human body sensors to automatically open and close
- ◆ Power supply DC24V ± 10%



SIZE	H
1"/DN25	256
1.25"/DN32	266
1.5"/DN40	266
2"/DN50	272
2.5"/DN65	272
3"/DN80	272
4"/DN100	290

电动调节隔膜阀

Electric adjustment diaphragm valves

