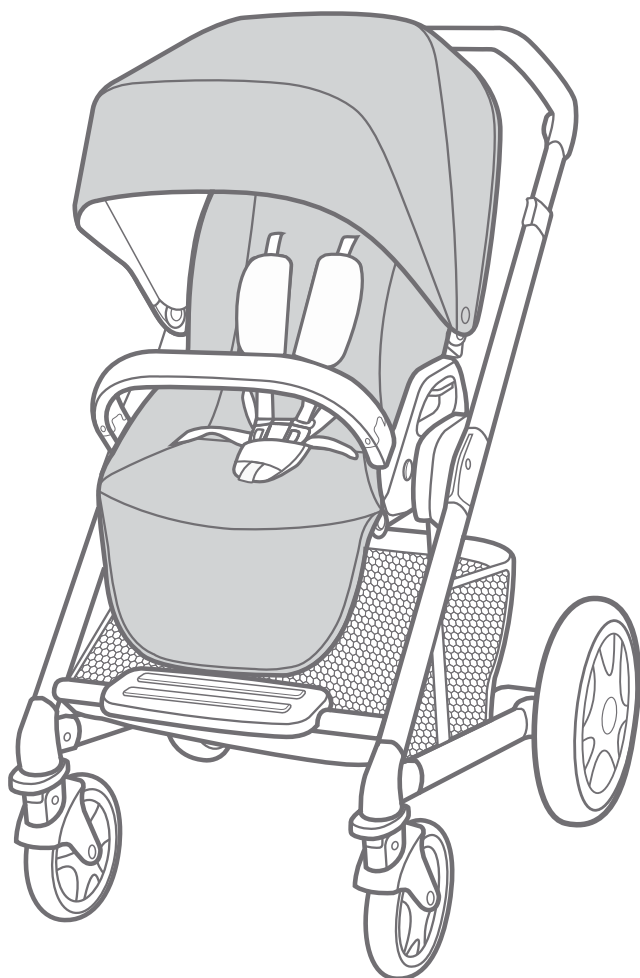


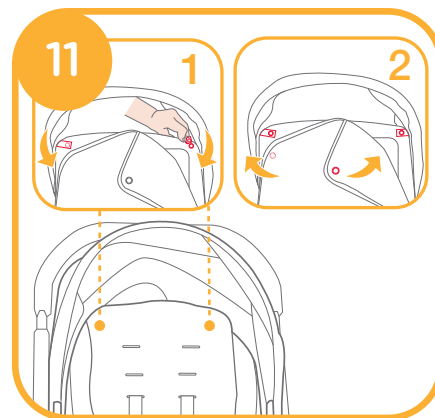
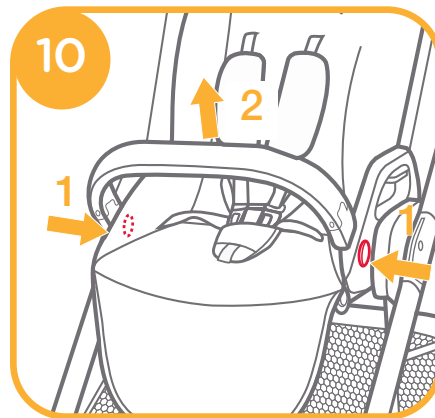
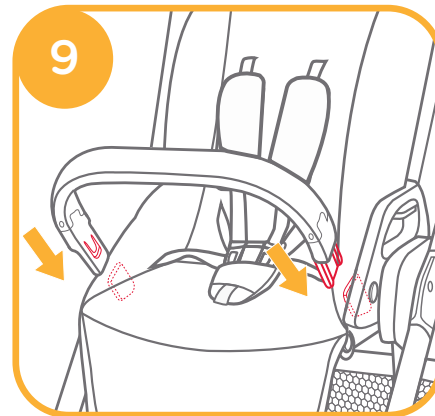
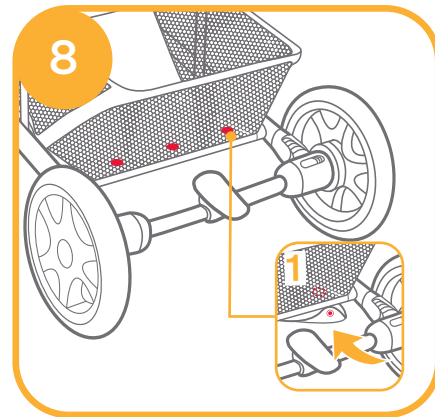
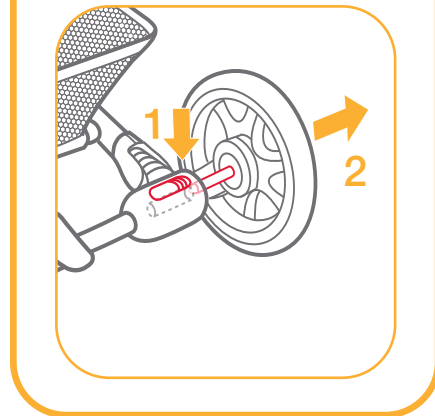
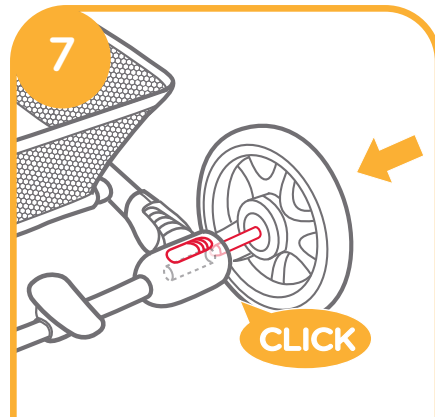
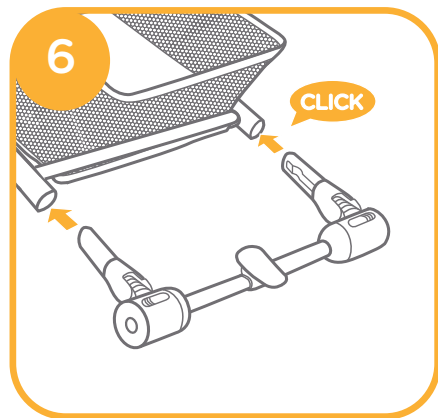
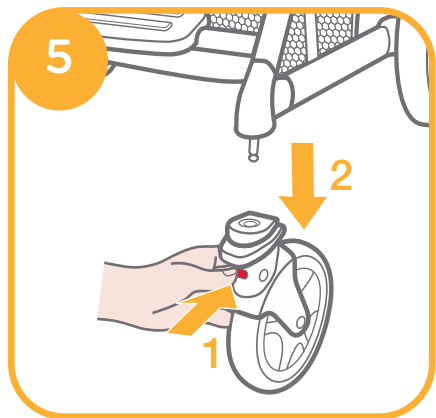
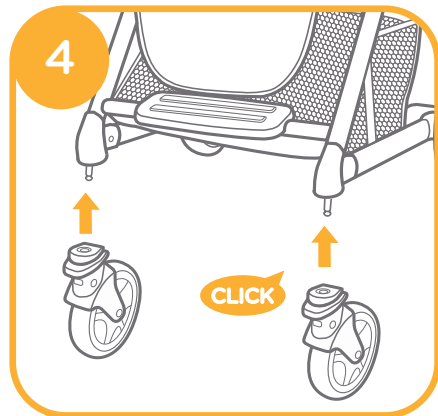
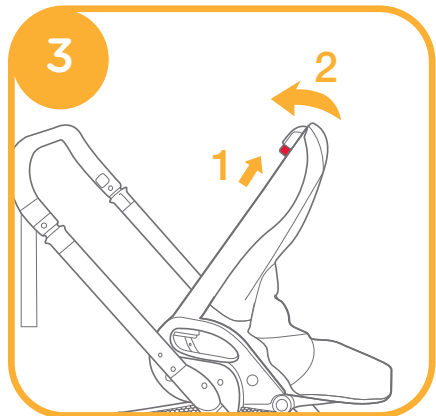
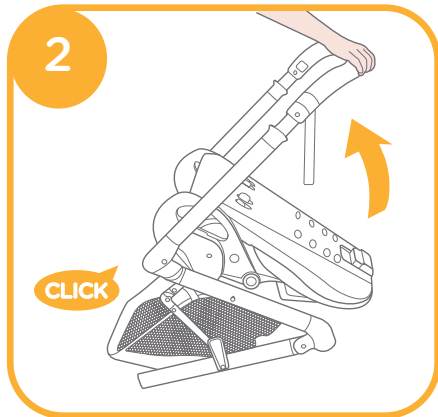
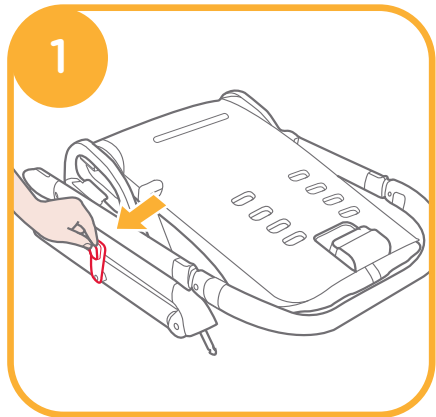
Joie™

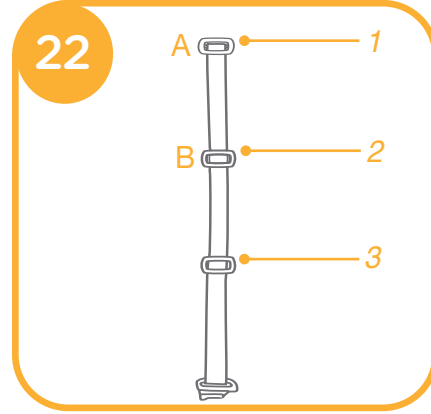
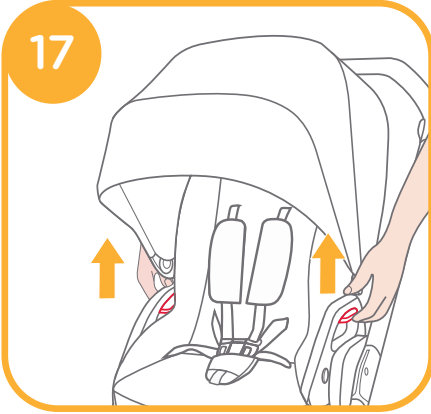
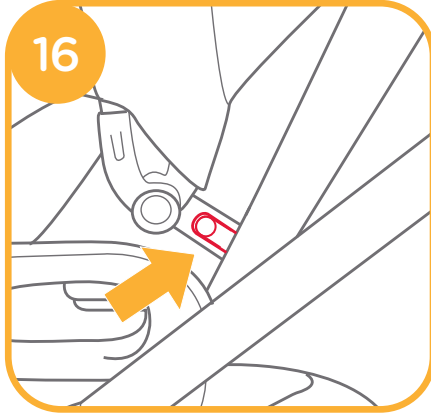
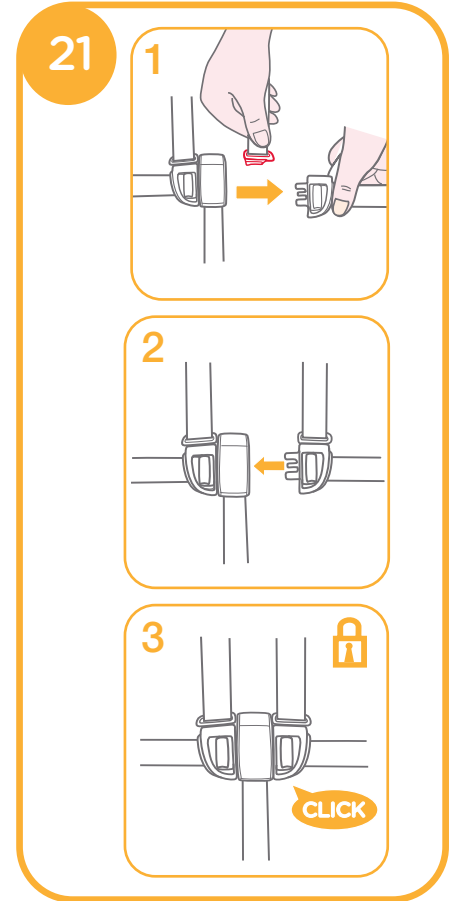
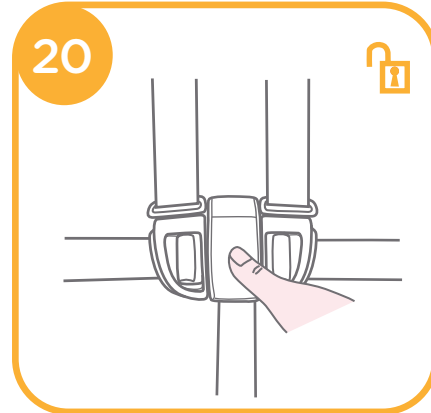
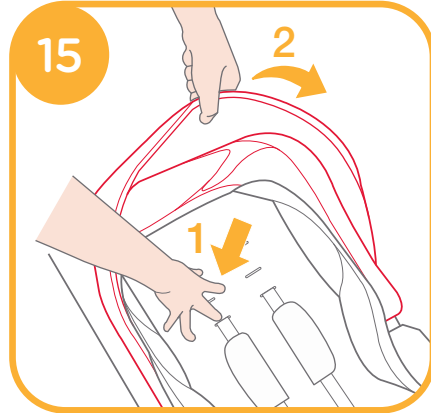
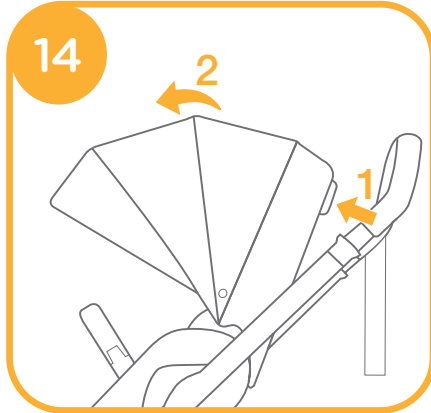
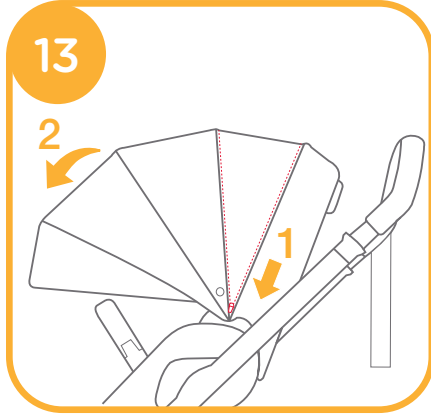
chrome™ DLX

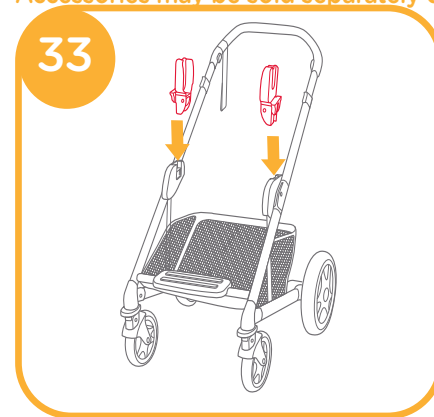
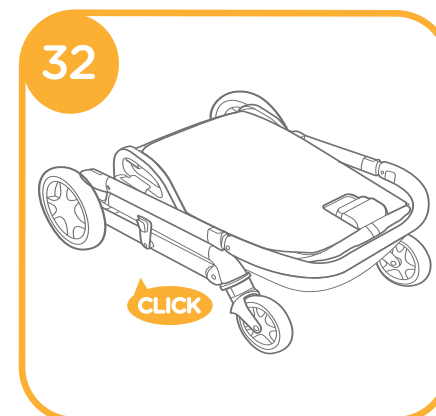
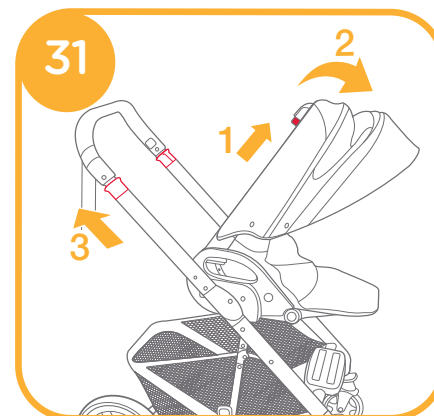
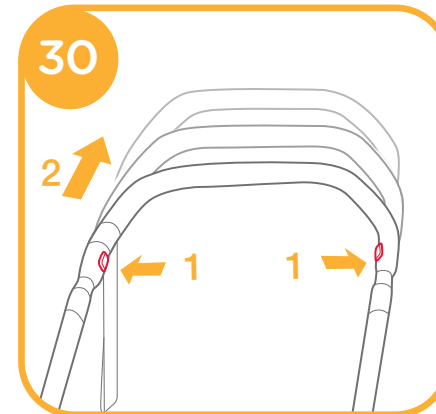
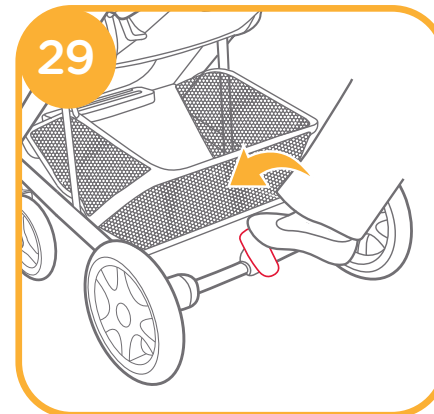
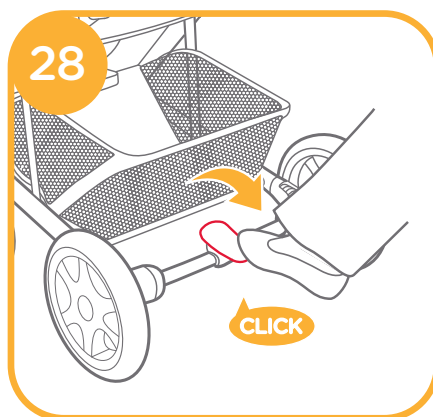
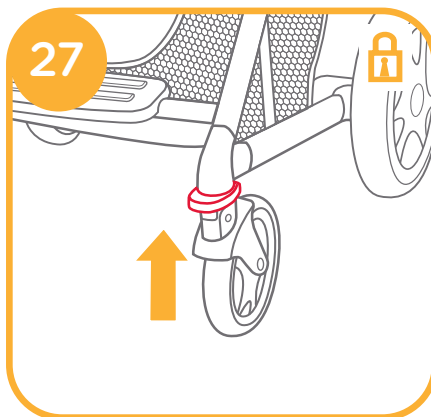
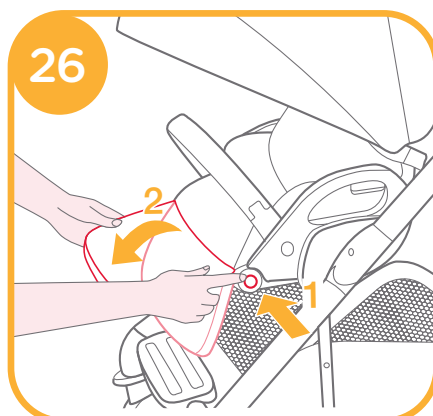
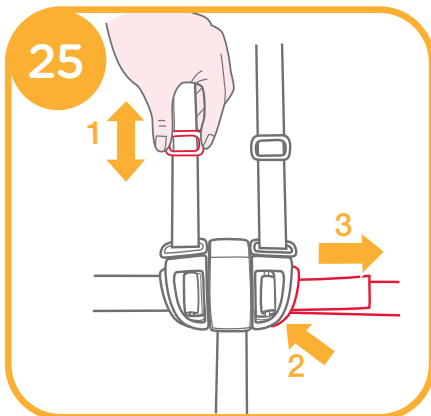
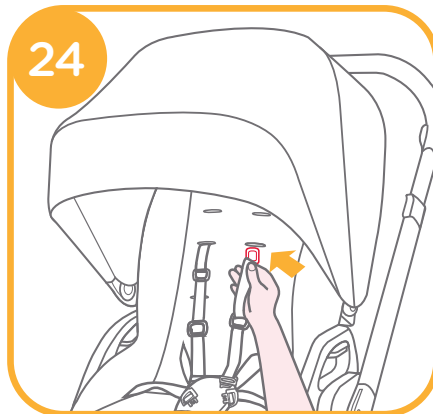
stroller

GB Instruction Manual

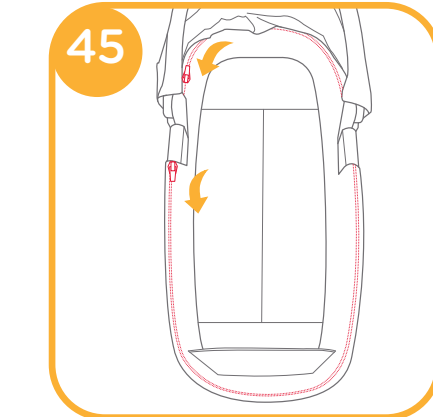
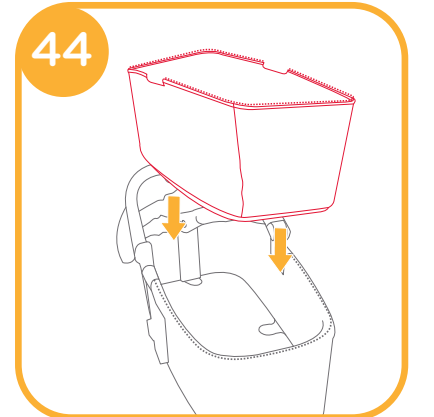
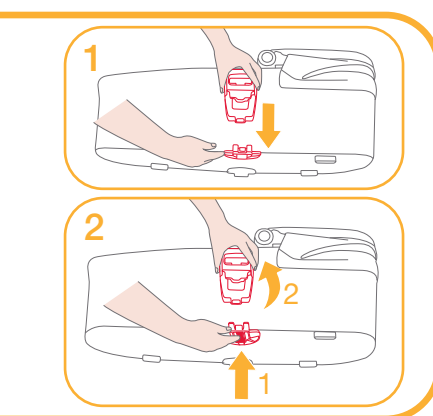
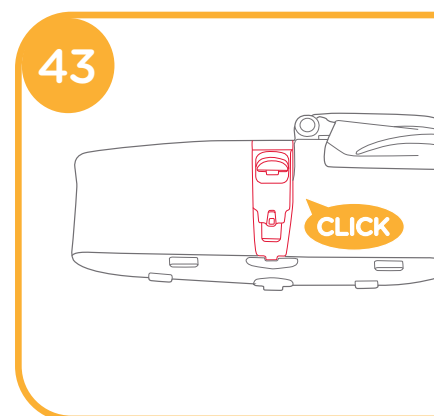
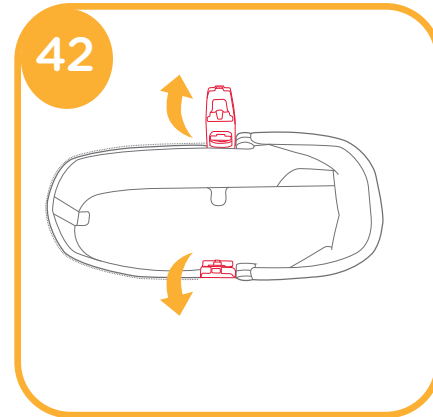
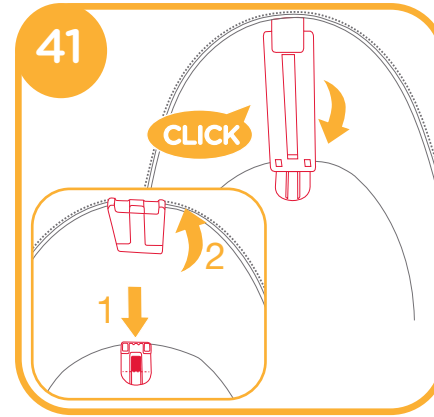
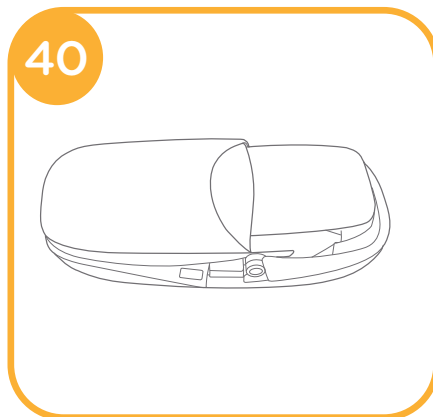
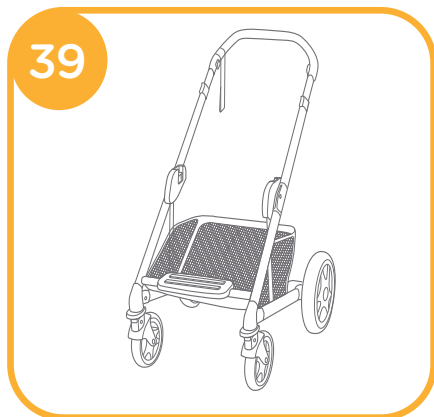
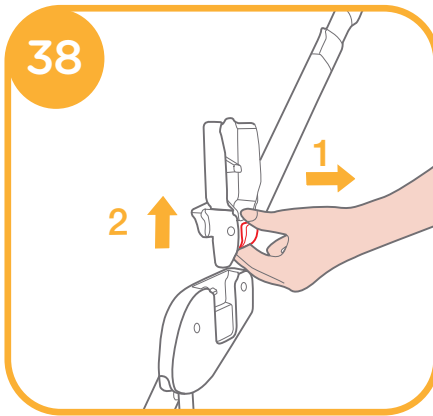
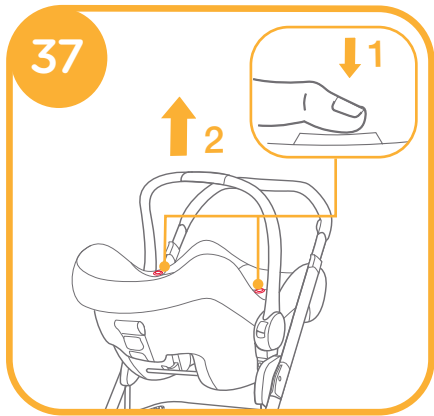
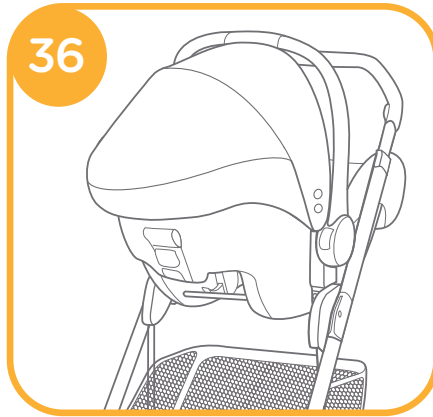
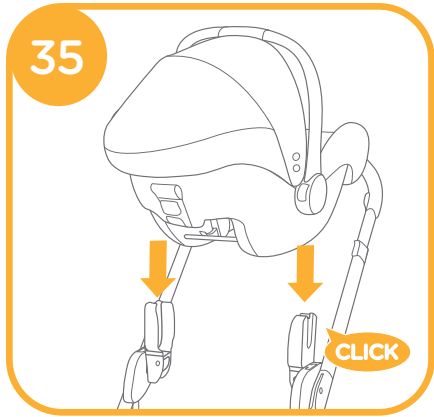


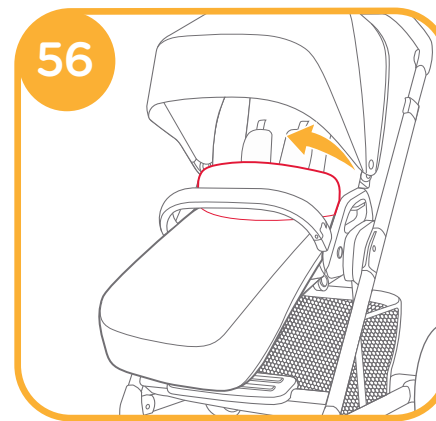
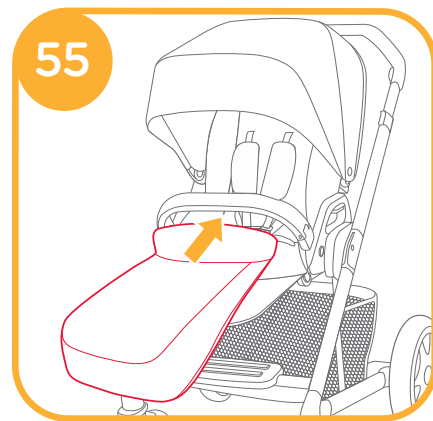
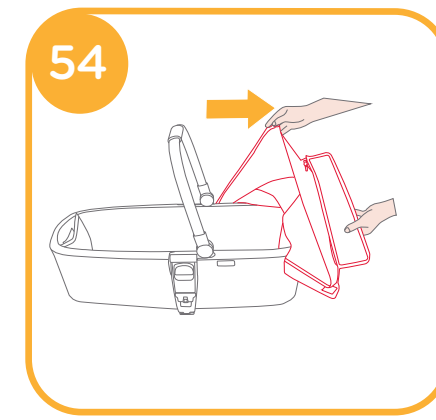
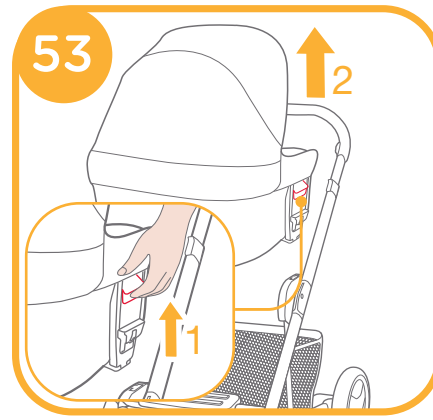
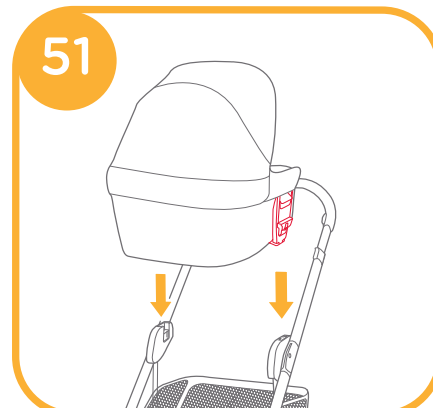
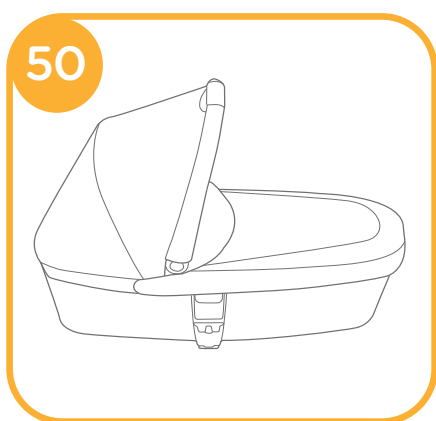
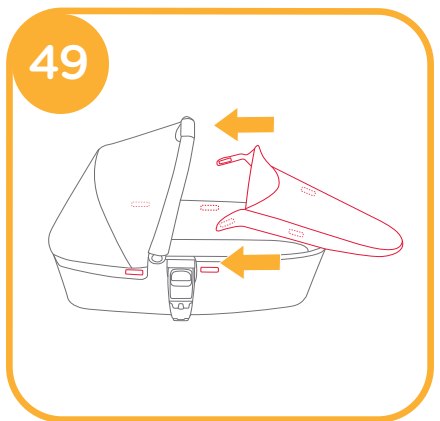
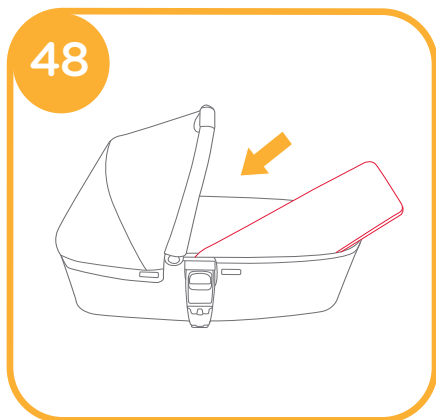
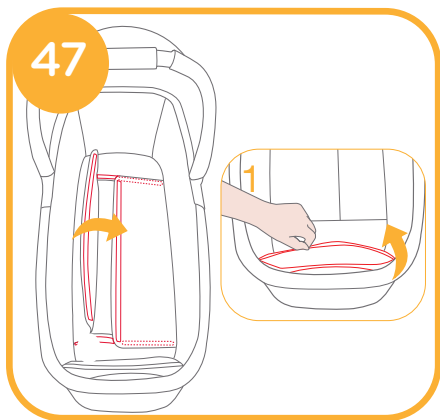
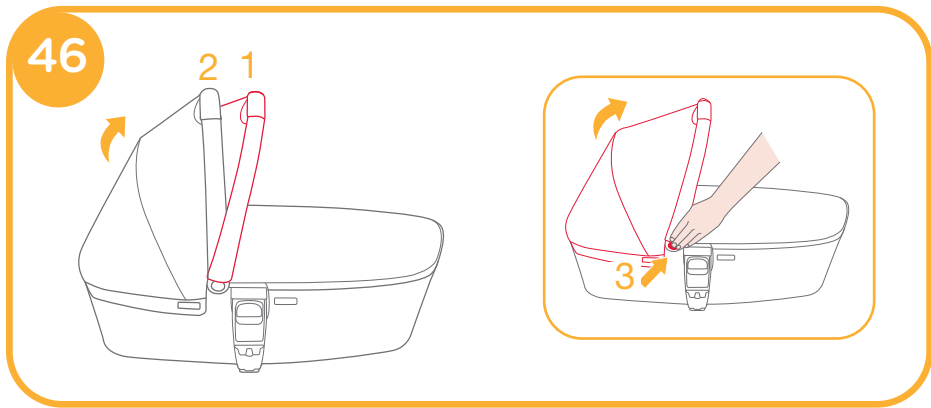


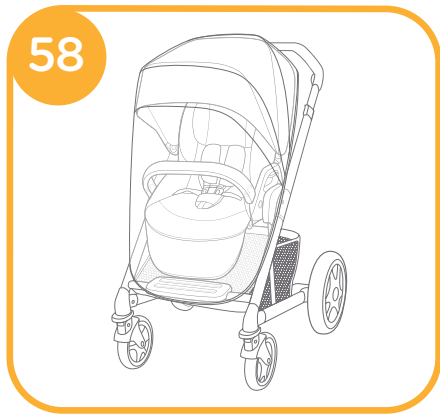
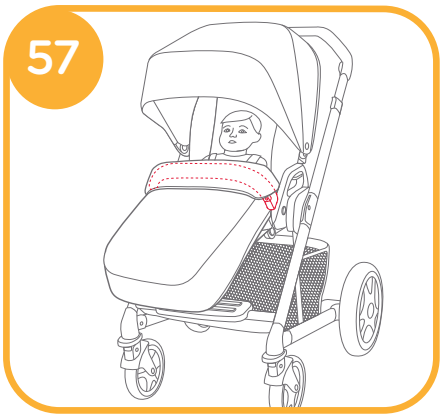




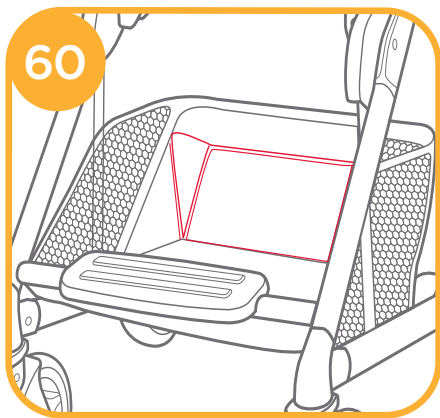
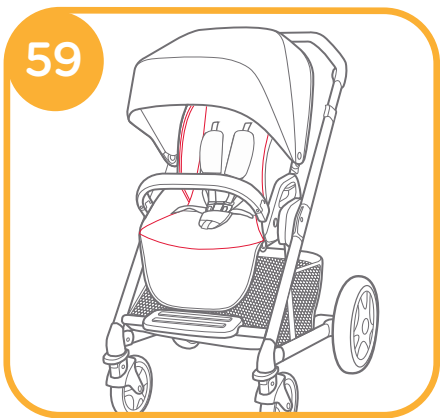
Accessories (May not be included in purchase)
 Accessories may be sold separately or may not be available depending on region.



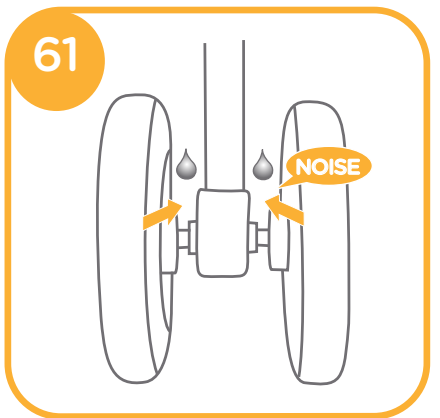




NOTE



Care and Maintenance



Congratulations on becoming part of the Joie family! We are so excited to be part of your journey with your little one. While traveling with the Joie chrome™ DLX, you are using a high quality, fully certified stroller, complies with Australian Trade Practices Act 1974 Consumer Protection Notice No 8 of 2007 and AS 2088:2022. This product is suitable for children up to 22kg or 4 years whichever comes first. Please carefully read this manual and follow each step to ensure a comfortable ride and best protection for your child.

IMPORTANT - READ CAREFULLY AND KEEP FOR FUTURE REFERENCE.

Visit us at joiebaby.com to download manuals and see more exciting Joie products!

Contents

Figures	1-11
WARNING	15
Stroller Assembly	18
Open Stroller	18
Assemble Front Wheels	18
Assemble Rear Wheels	18
Assemble Armbar	18
Assemble Canopy	19
Stroller Operation	19
Use Canopy	19
Switch Seat	19
Adjust Recline	19
Use Buckle	20
Use Shoulder & Waist Harnesses	20
Use Crotch Harness	21
Adjust Calf Support	21
Use Front Swivel Lock	21
Use Brake	22
Adjust Handle	22
Tether Strap	22
Fold Stroller	22
Use Shoulder Harness Pad Cover and Crotch Harness Pad Cover	22
Use Accessories	23
Care and Maintenance	26

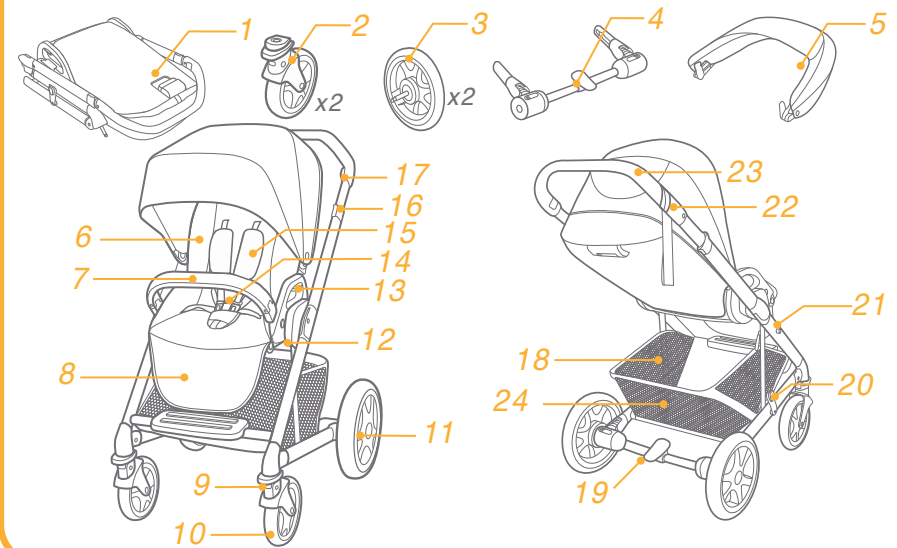
Emergency

In case of emergency or accident, it is most important to have your child taken care of with first aid and medical treatment immediately.

Parts List

Make sure all parts are available before assembly. If any part is missing, please contact local retailer. No tools are required for assembly.

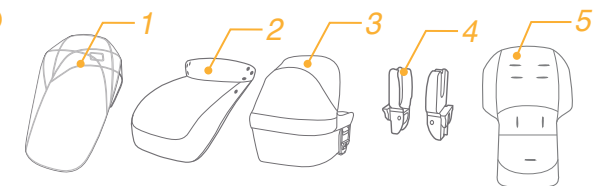
- | | | |
|---------------------|-----------------------------|------------------------|
| 1 Stroller Frame | 10 Front Wheel | 18 Storage Basket |
| 2 Front Wheel (X2) | 11 Rear Wheel | 19 Brake Lever |
| 3 Rear Wheel (X2) | 12 Seat Mount | 20 Storage Latch |
| 4 Brake Assembly | 13 Seat Release Button | 21 Storage Latch Mount |
| 5 Canopy | 14 Buckle | 22 Tether Strap |
| 6 Seat Pad | 15 Shoulder Harness | 23 Handle |
| 7 Armbar | 16 Folding Button | 24 Storage Bag |
| 8 Calf Support | 17 Handle Adjustment Button | |



Accessories

(May not be included)

- 1 Rain Cover
- 2 Footmuff Apron
- 3 Bassinet
- 4 Adapter
- 5 Seat Liner



Accessories may be sold separately or may not be available depending on region.

WARNING

FOLLOW THE MANUFACTURER'S INSTRUCTIONS.

PUT ON ALL THE BRAKES WHENEVER YOU PARK THE PRAM/STROLLER.

DO NOT LEAVE CHILDREN UNATTENDED.

DO NOT CARRY EXTRA CHILDREN OR BAGS ON THIS PRAM/STROLLER.

MAKE SURE CHILDREN ARE CLEAR OF ANY MOVING PARTS IF YOU ADJUST THE PRAM/STROLLER.

OTHERWISE THEY MAY BE INJURED.

ALWAYS KEEP CHILD IN VIEW WHILE IN PRAM/STROLLER.

DO NOT USE THE SEAT WITH ANY OTHER MODELS OF PRAM/STROLLER.

SECURE THE CHILD IN THE HARNESS AT ALL TIMES.

USE THIS HARNESS AT ALL TIMES.

ALWAYS USE THE CROTCH COMBINATION WITH THE WAIST BELT. IT IS SUGGESTED THAT THE SHOULDER HARNESSES BE USED AS WELL.

TO AVOID SERIOUS INJURY FROM FALLING OR SLIDING OUT, ALWAYS USE SEAT BELT.

USE THIS TETHER STRAP TO STOP THE PRAM/STROLLER ROLLING AWAY.

DO NOT USE THIS BASSINET ONCE THE CHILD CAN SIT UP UNAIDED.

DO NOT USE FOR UNSUPERVISED SLEEPING.

Ensure that all the locking devices are engaged before use.

Do not let your child play with this product.

Never leave the harness buckled when not fitted to a child in the stroller because the harness can form loops which may pose a strangulation hazard.

The use of accessories not approved by the vehicle manufacturer is unsafe.

Adult assembly required.

Use of this stroller with a child weighing more than 22 kg will cause excessive wear, and stress on the stroller, and could create an unstable condition. Use the stroller with only one child at a time.

To prevent a hazardous, unstable condition, do not place more than 4.5 kg in the storage basket before use.

Overloading, folding incorrectly, or using component parts from other manufacturers may cause the pram/stroller to be damaged, broken or unsafe. Please read the instruction manual carefully.

Please read all the instructions in the manual before using the product. Please save instruction manual for future use. Failure to follow these warnings and instructions may result in serious injury or death.

Safety belts and restraint system must be used correctly.

Child may slip into leg openings and be strangled if the harness is not used.

Never use pram/stroller on stairs or escalators.

The pram/stroller is not to be used near an open fire or exposed flame.

Never allow your child to stand on the pram/stroller or sit in the pram/stroller with head toward front of pram/stroller.

Never place the pram/stroller on roads or dangerous area.

The vehicle is designed for use on flat or gently sloping surfaces and may be unstable on higher sloping and uneven surfaces, resulting in the possibility of the vehicle tipping over.

Do make sure all parts are assembled and fastened properly before using the pram/stroller.

To avoid strangulation, do not place items with a string around your child's neck, suspend strings from this product, or attach strings to toys.

To prevent tipping, do not put anything on the handle. Always lift the child in and out of the pram/stroller.

Do not lift pram/stroller while child is in stroller.

Do not use storage basket as a child carrier.

To prevent tipping, never let child climb the pram/stroller.
To avoid finger entrapment or injury to the body, use care when folding and unfolding the pram/stroller.

Be sure the stroller is fully open or folded before allowing child near the pram/stroller.

Check that the infant child restraint attachment device is correctly engaged before use.

To avoid strangulation, do make sure your child is clear from the canopy.

Discontinue using your pram/stroller if it is damaged or broken.

Pram/stroller to be used only at walking speed. This product is not intended for use while jogging.

To avoid suffocation, remove plastic bag and packaging materials before using this product. The plastic bag and packaging materials should then be kept away from babies and children.

This product is not suitable for running or skating.

Stroller designed to be used from birth shall recommend the use of the most reclined position for new born babies.

The parking device must be engaged when placing and removing children.

Bassinet is only suitable for a child who cannot sit up unaided, roll over and cannot push itself up on its hands and knees. Maximum weight of the child: 9kg (0 - 6 months).

Bassinet is not to be used for long term sleeping.

Do not use or add any mattress other than the one supplied with the bassinet.

Please ensure that the storage latch has been properly locked, before lifting or moving the vehicle.

The vehicle is not to be used as an unsupervised sleeping environment.

The brakes must always be applied when the pram/stroller is not moving.

For infant child restraint used in conjunction with a chassis, this vehicle does not replace a cot or a bed. Should your child need to sleep, then it should be placed in a suitable pram body, cot or bed.

Stroller Assembly

Please read all the instructions in this manual before assembling and using this product.

Open Stroller

Separate storage latch from storage latch mount ❶, and then lift the handle upwards ❷, a click sound means the stroller is open completely. Press the recline handle on the back of backrest to rotate the backrest to vertical position. ❸

! Check that the stroller is completely open before continuing.

Assemble Front Wheels

Assemble front wheels to front legs. Check that wheels are securely attached by pulling on wheel assemblies. ❹ To disassemble front wheel, detach front wheel from front leg ❺ - 2 while pressing the release button. ❺ - 1

Assemble Rear Wheels

Assemble brake assembly to rear legs ❻, assemble rear wheels to brake assembly ❼. Pull the basket tube backward and wrap the connecting tube of rear legs with the flap of the storage basket, and then snap the three buttons ❽ - 1.

! Check that wheels are securely attached by pulling on wheel assemblies.

To disassemble rear wheel, detach rear wheel from rear wheel mount ❼ - 2 while pressing the release button. ❼ - 1

Assemble Armbar

Align the armbar ends with the armbar mounts, and then insert to lock. ❾

To disassemble armbar, press armbar release button ❿ - 1, and then pull out the armbar. ❿ - 2

Assemble Canopy

To assemble canopy, insert clips into mount, then attach 2 pairs of buttons. 11

- i. Engage the canopy webbing with recline buttons first. 11 - 1
- ii. Then engage the softgood with canopy webbing and buttons. 11 - 2

The completely assembled stroller is shown as 12

Stroller Operation

Use Canopy

Open the zipper, then push the canopy forwards to open the canopy. 13

- ! Please adjust the backrest to upright position before opening the canopy if it is convenient. 14
- ! Please press the backrest before opening the canopy if it is not convenient to adjust the backrest to upright position. 15

To fold the canopy, pull canopy toward back.

To remove canopy, detach clips from mount while pressing the fixing tab 16, then detach 2 pairs of buttons (used to attach the canopy fabric to the seat) now lift of the canopy. 11

- ! Once fitted, removing the canopy on a regular basis is not recommended.

Switch Seat

The seat can be switched, which makes mother and child can face to face with each.

Squeeze the seat release buttons while lifting the seat. 17 Turn the seat to reverse direction, and then insert the seat to seat mounts. 18

Adjust Recline

There are 5 positions for the backrest.

To recline the backrest, squeeze the adjustment button 19 - 1, and then adjust the backrest to a desired angle. 19 - 2 To raise the backrest, push up.

- ! Make sure the recline is set properly for use.

Use Buckle

Release Buckle

Press the center button to release the buckle. 20

Lock Buckle

Match the waist belt buckle with the shoulder buckle 21 - 1, and click into the center buckle. 21 - 2 A “click” sound means the buckle is locked completely. 21 - 3

- ! To avoid serious injury from falling or sliding out, always secure your child with harness.
- ! Make sure your child is snugly secured. The space between the child and the shoulder harness is about the thickness of one hand.
- ! Do not cross the shoulder belts. This will cause pressure on child’s neck.

Use Shoulder & Waist Harnesses

- ! In order to protect your child from falling out, after your child is placed into the seat, check whether the shoulder and waist harnesses are at proper height and length.

- 22 - 1 Shoulder harness anchor A
- 22 - 2 Shoulder harness anchor B
- 22 - 3 Slide adjuster

For larger child, use shoulder harness anchor A and the highest shoulder slots. For smaller child, use shoulder harness anchor B and the lowest shoulder slots.

To adjust the position of the shoulder harness anchor, turn the anchor to be level with the side facing forward. Thread it through the shoulder harness slot from back to front. 23 Rethread it through the slot that is closest to child's shoulder height. 24

Use slide adjuster to change the harness length. 25 - 1

Press the button 25 - 2, while pulling the waist harness to proper length.
25 - 3

Adjust Calf Support

The calf support has 2 positions.

Raise Calf Support

To raise the calf support, just push it upwards.

Lower Calf Support

Press the adjustment buttons on both sides of the calf support 26 - 1, and rotate the calf support downwards. 26 - 2

Use Front Swivel Lock

Push up the front swivel locks to maintain the moving direction. 27

Tip It is recommended to use swivel locks on uneven surfaces.

Use Brake

To lock wheels, step the brake lever downwards. 28

To release wheels, just lift the brake lever upwards. 29

Tip Always apply brake when stroller is in stopped position.

Adjust Handle

The handle has 3 positions.

To adjust the height of the handle, pull the handle upward or downward 30 - 2 while pressing the handle adjustment button. 30 - 1

Tether Strap

Use the tether strap to prevent the stroller inadvertently rolling away. Check that when your hand is through the loop, it allows you to easily control the stroller.

Fold Stroller

! Please fold the canopy before folding the stroller.

Press the recline handle on the back of backrest to rotate the backrest to horizontal position. 31

Lift the folding button, step the folding pedal downwards, push the stroller forward to fold. 31

The storage latch will automatically hook onto the storage mount, then the stroller is folded and locked completely. 32

Use Shoulder Harness Pad Cover and Crotch Harness Pad Cover










The shoulder harness pad cover or crotch harness pad cover can be removed from the webbing. Simply reverse these steps to re-assemble shoulder harness and crotch harness pad cover.

Use Accessories

Accessories may be sold separately or may not be available depending on region.

Use with Joie Child Restraint







When using with Joie child restraint gemm, i-Gemm please refer to the following instructions.




1. To attach adapter, place adapter onto mounts as show , A "click" sound means the adapter is locked completely. 
 2. To attach child restraint, place child restraint onto adapter as show , A "click" sound means the child restraint is locked completely. 
 3. To remove child restraint, lift the child restraint upwards  - 2 while pressing the two stroller fix release buttons A.  - 1
- ! If you have any problems about using the stroller and the adapter, please refer to their own instruction manuals.
- ! To remove adapter, lift the adapter upwards  - 2 while pressing the two release buttons.  - 1
- ! Remove the adapter show as 
- ! Please don't fold stroller when attaching the child restraint.


Use Bassinet

You can use this bassinet with the chrome DLX (S1201) stroller.











Bassinet Assembly

1. Please ensure the 2 support mounts are securely attached.  
 - ! To release the support mounts, please see image 
2. Please ensure that both attachment mounts, located on the sides, are securely attached.  
 - ! To release the attachment mounts, please see image  - 2

3. Place the inner mattress and zip the zipper.  
4. Pull up the canopy as illustrated while pressing the buttons on both sides.  - 3

Check to make sure the handle is secure before placing the child in the bassinet.  - 1

! Please make sure that the handle is in the correct position of use before carrying or lifting.

5. Attach the loop and hook fasteners on the bottom of bassinet. 
A storage compartment is inside of the bassinet.  - 1
 - ! Always use the mattress when using the bassinet. 
 - ! Mattress cover can easily be removed.
6. Place the apron onto the top of the bassinet, and attach at the loop and fasteners. 
 - ! Using the apron in cold weather will help give baby a more warm and comfortable sleep environment.
7. The completely assembled bassinet is shown as 
 - ! To disassemble the bassinet simply reverse the steps above.
8. Place the bassinet directly down until it latches into place. 
9. The bassinet is securely attached with a positive "click". 
 - ! Always remove the seat before using the bassinet.
 - ! Please don't fold the stroller when the bassinet is still attached.
 - ! The bassinet can be used with chrome DLX.
10. Remove Bassinet
Press each release side button as shown  - 1, whilst lifting up the handle simultaneously.  - 2
11. Unzip the zipper to remove the canopy soft goods. 

Use Footmuff Apron

The soft footmuff apron can provide your child with a warm and comfortable sleeping environment.

Assemble the footmuff apron by following these steps.

1. Adjust the calf support and backrest to level position and recline position respectively before assembling footmuff apron. [55](#)
2. Cover the calf support with footmuff apron. [56](#)

The assembled footmuff apron is shown as [57](#).

Use Rain Cover

To assemble the rain cover, place it over the stroller. [58](#)

- ! Before using the rain cover, to be make sure the seat has been fastened.
- ! When using the rain cover, please always check its ventilation.
- ! When not in use, please check that the rain cover has been cleaned and dried before folding.
- ! Do not fold the stroller after assembling the rain cover.
- ! Do not place your child into the stroller assembled with rain cover during hot weather.
- ! To be used under adult supervision. Do not use on a pushchair without a canopy.

Use Seat Liner

see images [59](#)

Use Storage Bag

see images [60](#)

The maximum load of Storage Bag is 0.45kg.

Care and Maintenance

Bassinet

- ! Remove mattress from bassinet and mattress pad from liner. Clean liner and mattress with a damp cloth and dry flat.
- ! CLEANING: After removing mattress pad from liner, hand wash, drip dry, NO BLEACH. Only use a damp cloth to clean the mattress pad. Never iron.
- ! Removable seat pad may be washed in cold water and drip-dried. No bleach.
- ! Excessive exposure to sun or heat could cause fading or warping of parts.

Stroller

- ! Removable seat pad may be washed in cold water and drip-dried. No bleach.
- ! To clean stroller frame, use only household soap and warm water. No bleach or detergent.
- ! From time to time, check your stroller for loose screws, worn parts, torn material or stitching. Replace or repair the parts as needed.
- ! Excessive exposure to sun or heat could cause fading or warping of parts.
- ! If stroller becomes wet, open hood and allow to dry thoroughly before storing.
- ! If wheels squeak, use a light oil (e.g., Silicon Spray, antirust oil, or sewing machine oil). It is important to get the oil into the axle and wheel assembly. [61](#)
- ! When using your stroller at the beach, completely clean your stroller after use to remove sand and salt from mechanisms and wheel assemblies.

The logo for Joie, featuring the word "Joie" in a white, sans-serif font with a small leaf icon above the letter 'i'. A trademark symbol (TM) is positioned to the upper right of the word. The logo is set against a solid orange square background.

Joie™

Nuna Baby Australia Pty Ltd.
Unit 1, 35 Lyn Parade Prestons,
NSW Australia 2170

bring the kids™

Share the joy at joiebaby.com

IM-001147B