

# Practibox<sup>3</sup>

ELEGANT &  
PRACTICAL



18 MODULES/ROW  
FLUSH-MOUNTING DISTRIBUTION CABINETS

[-> CATALOGUE PAGES INSIDE](#)

**THE GLOBAL SPECIALIST**  
IN ELECTRICAL AND DIGITAL BUILDING INFRASTRUCTURES

 **legrand**<sup>®</sup>

# WITH PRACTIBOX<sup>3</sup> CABINETS ARE NO LONGER HIDDEN

Pure design  
& easy to use  
cabinets

These new, ready-to-use flush-mounting distribution cabinets have a uncluttered design and a top quality finish. But over and above its attractive appearance, its special ergonomic design gives both users and installers maximum ease of use.

ULTRA-FLAT



DESIGNED FOR  
RESIDENTIAL AND  
SMALL COMMERCIAL  
INSTALLATIONS

**A STYLISH DOOR**  
Fitting close to the wall, the white or transparent smoked finish doors on Practibox<sup>3</sup> cabinets are ultra-flat and smooth, so that the cabinets blend in perfectly with today's interiors.

180° OPENING

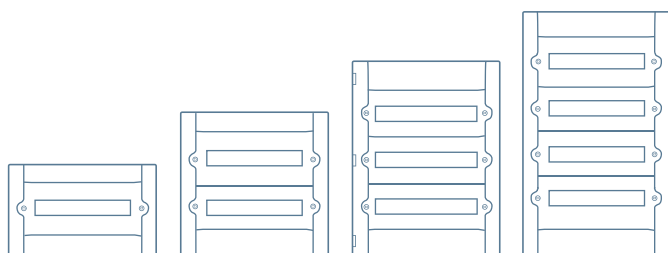


**REVERSIBLE DOOR**  
 Integrated hinges to attach the door on the required side\*  
 Patented Legrand system

**INTEGRATED HANDLE**  
 The discrete, flush handle can take a key lock

**EASY CLOSING**  
 With magnets inside the door\*

[\*] From the 2-row version upwards



### THE PRACTIBOX<sup>3</sup> CABINET RANGE

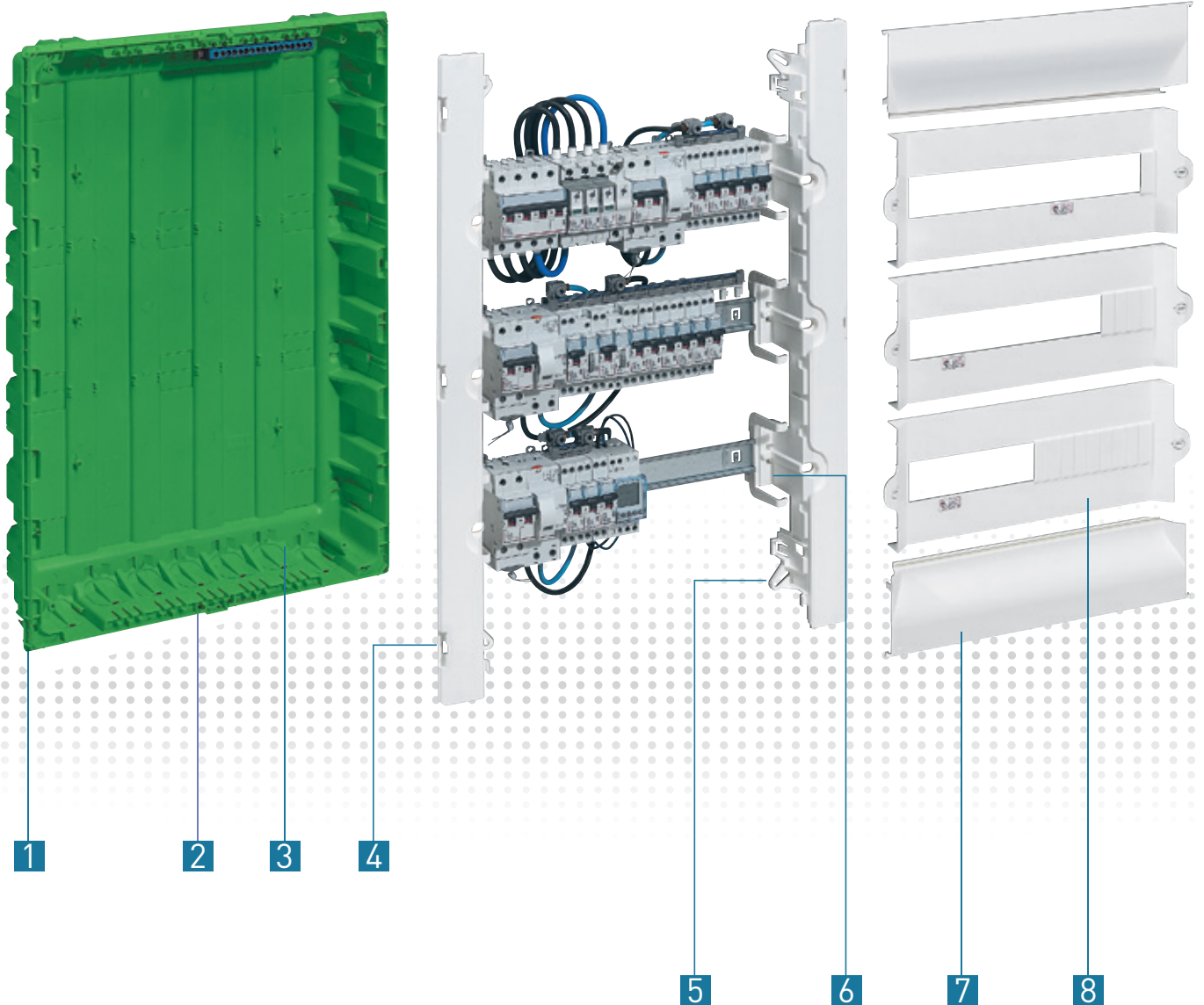
These ready-to-use cabinets are available in four sizes with 1 to 4 rows, and with a capacity of 18 modules per row. They are supplied with a white or transparent smoked finish door and with screw connection earth and neutral terminal blocks (depending on the version)

# WITH PRACTIBOX<sup>3</sup>

## STRENGTH AND EASY INSTALLATION

**Robust,  
easy to  
install**

From the chassis and faceplates through to the rigid, practical flush-mounting box, everything has been designed to ensure that on-site installation is straightforward and easy, whatever material they are mounted in and whatever the configuration, in line with the applicable standards.



### THE GUARANTEE OF A ROBUST RANGE

Fire resistance

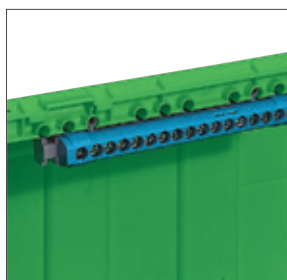
**up to 850°**

Conforming to standards

**IEC 60670-24  
IEC 62208  
IEC 61439-3**



**1 FLUSH-MOUNTING BOX**  
Strength and optimum rigidity, thanks to its material and shape suitable for all types of material (masonry or dry partitions, using the special kit)



**2 IP2X CHASSIS**  
Additional terminal blocks can be added at the top and bottom of the flush-mounting box with no need for any additional mounting support, or on flat bars via the chassis



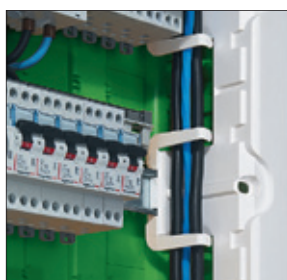
**3 CABLE ENTRIES**  
Solid knock-out cable entries to prevent concrete accidentally entering the cabinet via unused entries. Positions for cable ties enable conduits to be secured



**4 ERGONOMIC CHASSIS**  
Self-guided chassis for even more time-saving during installation



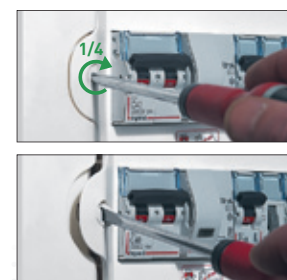
**5 ADJUSTMENT OF THE CHASSIS**  
Oblong holes to adjust for any uneven mounting



**6 WIRING**  
The integrated guide rings provide optimised cable management at the sides



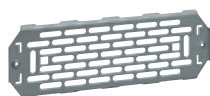
**7 SIMPLIFIED ACCESS TO TERMINAL BLOCKS**  
Chassis with removable, pivoting top and bottom parts for easy access to the terminal blocks



**8 FACEPLATES**  
1/4 turn captive screws with automatic raising system for easy extraction (patented Legrand system). The faceplates can be removed one row at a time (from 2-row version upwards). Installation is guided

## A COMPLETE RANGE OF ACCESSORIES

- Joining kit for masonry
- Mounting kit for dry partitions
- Horizontal divider (from 2-row version upwards)
- Key lock
- Blanking plates



- Perforated plates for fitting non-modular equipment



- Flat bar 12 x 2 cm for installing additional terminal blocks



- Cuttable solid faceplates



- Additional blanking plates

# Flush-mounting cabinets Practibox<sup>3</sup>

from 18 to 72 modules



Technical characteristics p. 5

Class II  
 IP 40 - IK 07 with door  
 Self-extinguishing: resistance to incandescent wire 850 °C  
 Conform to IEC 60670-24 and IEC 62208 : allows to achieve assemblies conform to IEC 61439-3

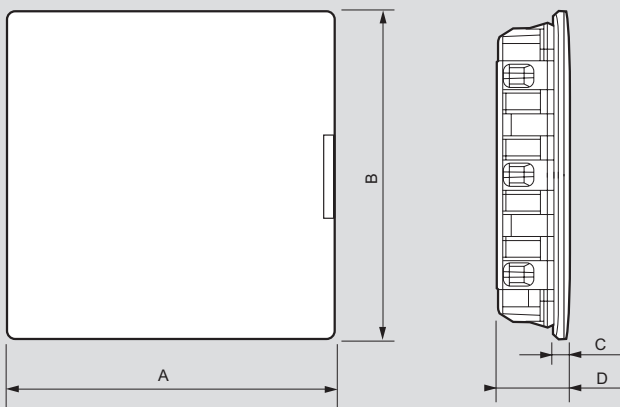
Pack	Cat.Nos		<b>Flush-mounting distribution cabinets</b>				
			Capacity 18 modules per row Box for masonry or dry partitions (with dry partitions kit Cat.No 4 017 24) Supplied with: - removable chassis with  rails fitted - reversible door (door + faceplate for 1-row cabinets) - removable faceplates for each row (for 2, 3 and 4-row cabinets) - IP 2X screw terminal blocks - blanking plates (5 modules, separable per module or 1/2 module, for 2, 3 and 4-row cabinets) Spacing between rails 150 mm Door opening : 180° Can be equipped with lock and key n° 850 Cat.No 0 019 66				
			<b>With transparent door</b>				
	With earth terminal blocks	With earth and neutral terminal blocks	Number of rows	Number of modules	Height (mm)	Width (mm)	Flush-mounting box depth (mm)
1	4 017 06	4 017 56	1	18	234	422	85
1	4 017 07	4 017 57	2	36	442	422	85
1	4 017 08	4 017 58	3	54	592	422	91
1	4 017 09	4 017 59	4	72	742	422	91
			<b>With white door RAL 9003</b>				
1	4 017 16	4 017 66	1	18	234	422	85
1	4 017 17	4 017 67	2	36	442	422	85
1	4 017 18	4 017 68	3	54	592	422	91
1	4 017 19	4 017 69	4	72	742	422	91

Pack	Cat.Nos	<b>Accessories</b>
1	4 017 23	<b>Horizontal or vertical joining kit</b> For joining 2 cabinets when installed in masonry
1	4 017 24	<b>Flush-mounting kit for dry partitions</b> For installation of Practibox <sup>3</sup> cabinets in dry partitions
1	4 017 22	<b>Horizontal partition</b> For 2, 3 or 4-rows cabinets
1	4 017 25	<b>Plain faceplate</b> For 2, 3 or 4-rows cabinets Allow fitting of non-modular equipments such as control and signalling units
1	4 017 26	<b>Perforated plates</b> To be used instead of the one  rail when integrating non-modular products For 2, 3 or 4-rows cabinets Height 150 mm
1	4 017 27	<b>12x2 flat bar for IP 2X terminal blocks</b> For 2, 3 or 4-rows cabinets Allow fitting of additional IP 2X terminal blocks
1	0 019 66	<b>Key lock</b> To be fitted on white or transparent doors Supplied with key n° 850
		<b>Blanking plates</b> White RAL 9003 Separable per module or 1/2 module
20	0 016 60	5 modules
10	0 016 62	13 modules
10	0 016 64	18 modules

# Flush-mounting cabinets Practibox<sup>3</sup>

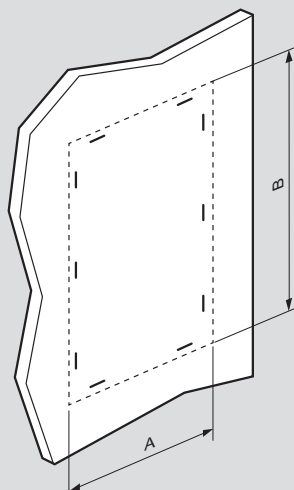
from 18 to 72 modules

## ■ Dimensions



## ■ Wall cutting when installing the boxes in dry partitions or masonry

For dry partitions use the flush-mounting kit Cat.No 4 017 24



Cat.Nos	Dimensions (mm)			
	A	B	C	D
4 017 06/16/56/66	493	288	20	105
4 017 07/17/57/67	493	496	20	105
4 017 08/18/58/68	493	650	20	111
4 017 09/19/59/69	493	800	20	111

Cat.Nos	Dimensions for dry partitions (mm)		Dimensions for masonry (mm)	
	A	B	A	B
4 017 06/16/56/66	437	249	> 437	> 249
4 017 07/17/57/67	437	454	> 437	> 454
4 017 08/18/58/68	437	607	> 437	> 607
4 017 09/19/59/69	437	757	> 437	> 757

## ■ Number of connections per neutral and earth terminal block (supplied with enclosure)

Enclosure Cat.Nos	Neutral terminal blocks Screw connection		Earth terminal blocks Screw connection	
	1.5 - 16 mm <sup>2</sup>	6 - 25 mm <sup>2</sup>	1.5 - 16 mm <sup>2</sup>	6 - 25 mm <sup>2</sup>
4 017 06/56	-	-	12	1
4 017 07/57	-	-	16	1
4 017 08/58	-	-	21	1
4 017 09/59	-	-	33	2
4 017 16/66	12	1	12	1
4 017 17/67	2 x 8	-	16	1
4 017 18/68	3 x 8	-	21	1
4 017 19/69	4 x 8	-	33	2

## ■ Number of blanking plates supplied per enclosure

Enclosure Cat.Nos	Number of blanking plates 5 modules
4 017 06/56 <sup>(1)</sup>	1
4 017 07/57	2
4 017 08/58	2
4 017 09/59	2
4 017 16/66 <sup>(1)</sup>	1
4 017 17/67	2
4 017 18/68	2
4 017 19/69	2

1 : 4 modules, moulded on the faceplate



FOLLOW  
US ON

@ [www.legrand.com](http://www.legrand.com)

 [www.youtube.com/legrand](http://www.youtube.com/legrand)

 [twitter.com/legrand\\_news](https://twitter.com/legrand_news)

EXB 1.4060 - February 2015



**Head office**

and International Department  
87045 Limoges Cedex - France

☎: + 33 (0) 5 55 06 87 87

Fax: + 33 (0) 5 55 06 74 55