

Pressure transmitter for air compressors Model C-2

WIKA data sheet PE 81.47



Applications

- Pressure monitoring
- Pressure regulation and control
- Filter monitoring in screw-type, reciprocating and turbo compressors

Special features

- Robust design
- Compact design
- Long service life and high reliability



Pressure transmitter model C-2

Fig. left: with cable outlet

Fig. right: with Metri-Pack series 150

Description

High quality and flexibility

The model C-2 pressure transmitter has been designed for use in air compressors and compressed air stations. With measuring ranges from 0 ... 6 to 0 ... 60 bar, it covers almost the entire spectrum of currently available power classes for air compressors.

The high demands that are placed on its robustness by these applications, are fulfilled without a problem by this pressure transmitter. This instrument features a vibration resistance of 20 g (in accordance with IEC 60068-2-6) and wetted parts that are suited to compressed air and lubricating oil.

Simplest mounting

Specific process connections for the compressor industry enable a simple installation every time, even if the pressure transmitter cannot be mounted directly onto the compressor.

Measuring ranges

Relative pressure								
bar	Measuring range	0 ... 6	0 ... 10	0 ... 12	0 ... 16	0 ... 18	0 ... 20	0 ... 25
	Overpressure limit	20	20	40	40	40	40	40
	Burst pressure	25	25	50	50	50	50	50
	Measuring range	0 ... 30	0 ... 35	0 ... 40	0 ... 45	0 ... 50	0 ... 60	
	Overpressure limit	100	100	100	100	100	100	
	Burst pressure	120	120	120	120	120	120	
psi	Measuring range	0 ... 100	0 ... 150	0 ... 200	0 ... 250	0 ... 300	0 ... 350	0 ... 400
	Overpressure limit	250	250	500	500	500	1,400	1,400
	Burst pressure	350	350	700	700	700	1,700	1,700
	Measuring range	0 ... 450	0 ... 500	0 ... 550	0 ... 600	0 ... 650	0 ... 700	0 ... 700
	Overpressure limit	1,400	1,400	1,400	1,400	1,400	1,400	1,400
	Burst pressure	1,700	1,700	1,700	1,700	1,700	1,700	1,700
	Measuring range	0 ... 750	0 ... 800	0 ... 850				
	Overpressure limit	1,400	1,400	1,400				
	Burst pressure	1,700	1,700	1,700				

Vacuum and +/- measuring range						
bar	Measuring range	-1 ... +10	-1 ... +15	-1 ... +20	-1 ... +30	-1 ... +45
	Overpressure limit	20	40	40	100	100
	Burst pressure	25	50	50	120	120
psi	Measuring range	-30 inHg ... +100	-30 inHg ... +145	-30 inHg ... +200	-30 inHg ... +250	-30 inHg ... +300
	Overpressure limit	250	250	500	500	1,400
	Burst pressure	350	350	700	700	1,700
	Measuring range	-30 inHg ... +350	-30 inHg ... +400	-30 inHg ... +450	-30 inHg ... +500	-30 inHg ... +550
	Overpressure limit	1,400	1,400	1,400	1,400	1,400
	Burst pressure	1,700	1,700	1,700	1,700	1,700
	Measuring range	-30 inHg ... +600				
	Overpressure limit	1,400				
	Burst pressure	1,700				

The given measuring ranges are also available in kg/cm², MPa and kPa
Other measuring ranges available on request

Vacuum tightness

Yes

Output signals

Signal type	Signal
Current (2-wire)	4 ... 20 mA
Voltage (3-wire)	DC 0 ... 10 V
	DC 1 ... 5 V
Ratiometric (3-wire)	DC 0.5 ... 4.5 V

Load in Ω

- 4 ... 20 mA: $\leq (\text{power supply} - 7 \text{ V}) / 0.02 \text{ A}$
- DC 0 ... 10 V: $> \text{max. signal} / 1 \text{ mA}$
- DC 1 ... 5 V: $> \text{max. signal} / 1 \text{ mA}$
- DC 0.5 ... 4.5 V ratiometric: $> \text{max. signal} / 1 \text{ mA}$

Voltage supply

The permissible power supply depends on the corresponding output signal.

- 4 ... 20 mA: DC 7 ... 30 V
- DC 0 ... 10 V: DC 8 ... 30 V
- DC 1 ... 5 V: DC 14 ... 30 V
- DC 0.5 ... 4.5 V ratiometric: DC 5 ± 0.5 V

Reference conditions (per IEC 61298-1)

Temperature

0 ... 60 °C

Atmospheric pressure

860 ... 1,060 mbar

Humidity

< 90 % rel., non-condensing

Power supply

DC 24 V

Nominal position

Calibrated in vertical mounting position with process connection facing downwards.

Accuracy data

Accuracy at reference conditions

Including non-linearity, hysteresis, zero offset and end value deviation (corresponds to measured error per IEC 61298-2).

Accuracy

≤ 2 % of span (standard)

≤ 1 % of span

Temperature error

- -20 ... 0 °C: ≤ 1 % of span
- 0 ... 60 °C: ≤ 0.5 % of span
- 60 ... 80 °C: ≤ 1 % of span

Settling time

≤ 5 ms

Long-term drift (per IEC 61298-2)

≤ 0.3 % of span/year

Operating conditions

Ingress protection (per IEC 60529)

The ingress protection depends on the type of electrical connection.

- Circular connector M12 x 1: IP 67
- Metri-Pack series 150: IP 67
- Angular connector DIN 175301-803 C: IP 65
- Cable outlet: IP 69K

The stated ingress protection only applies when plugged in using mating connectors that have the appropriate ingress protection.

Vibration resistance (per IEC 60068-2-6)

20 g (20 ... 2,000 Hz, 2 h, vibration under resonance)

Shock resistance (per IEC 60068-2-27)

40 g (6 ms, 50 repetitions, mechanical shock)

Service life

- > 10 million load cycles at reference conditions
- The tested service life at a medium temperature of 100 °C is >1 million load cycles.

Temperatures

- Medium: -20 ... +100 °C
- Ambient: -25 ... +85 °C
- Storage: -25 ... +80 °C

Process connections

Standard	Thread size
EN 837	G ¼ B G ½ female
DIN 3852-E	G ½ A G ¼ A
ANSI/ASME B1.20.1	½ NPT ¼ NPT
ISO 7	R ¼
KS	¼ PT

Specifically for the compressor industry

Special process connections are available for fixing to mounting plates.

Standard	Thread size
-	G ¼ male with G ½ female

Other process connections on request.

Electrical connections

Short-circuit resistance

S₊ vs. 0V

Reverse polarity protection

U_B vs. 0V


Overvoltage protection

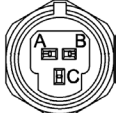
max. DC 36 V

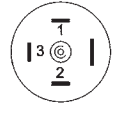
Insulation voltage


DC 500 V

Connection diagrams

Circular connector M12 x 1			
		2-wire	3-wire
	U _B	1	1
	0V	3	3
	S ₊	-	4

Metri-Pack series 150			
		2-wire	3-wire
	U _B	B	B
	0V	C	A
	S ₊	-	C

Angular connector DIN 175301-803 C			
		2-wire	3-wire
	U ₊	1	1
	U ₋	2	2
	S ₊	-	3

Cable outlet			
		2-wire	3-wire
	U _B	brown	brown
	0V	green	green
	S ₊	-	white

Wire cross-section 3 x 0.14 mm²

Cable diameter 3.2 mm

Cable length: 0.5 m, 1 m, 2 m, 5 m

Materials

Wetted parts

- Brass
- Ceramic Al₂O₃ 96 %
- O-ring from FKM

Non-wetted parts

- Case from brass
- Electrical connection from highly resistant, glass-fibre reinforced plastic

Approvals, directives and certificates

Approvals
without approval (standard)
cULus

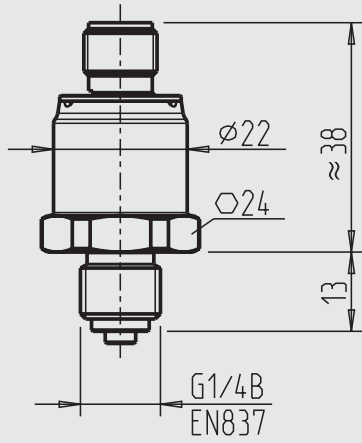
CE conformity

EMC directive 2004/108/EC, EN 61326 emission (group 1, class B) and interference immunity (industrial application)

Dimensions in mm

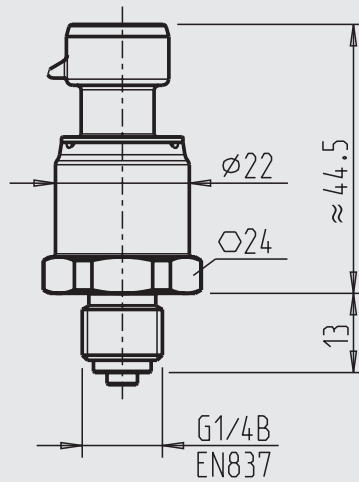
Pressure transmitter model C-2

with circular connector M12 x 1



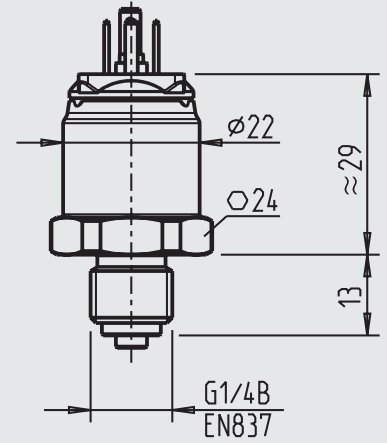
Weight: 80 g

with Metri-Pack series 150



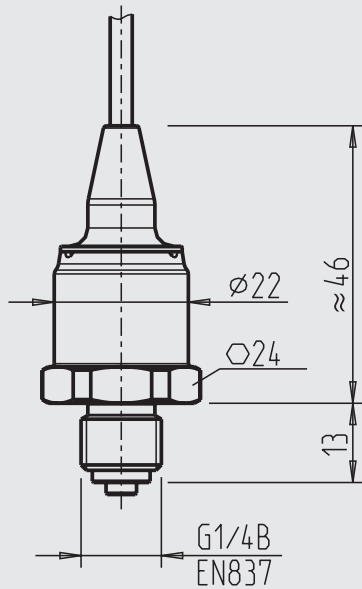
Weight: 80 g

with angular connector
DIN 175301-803 C



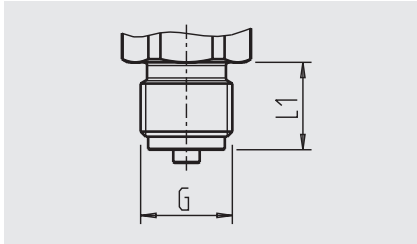
Weight: 80 g

with cable outlet

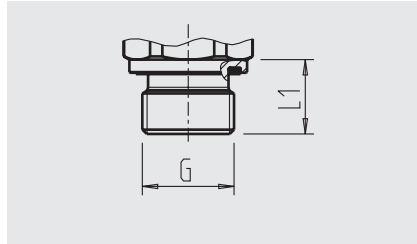


Weight: 80 g

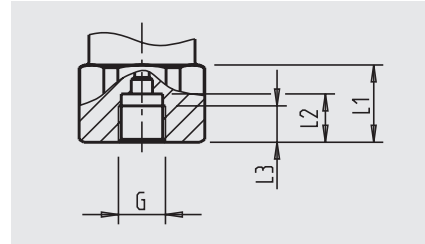
Process connections



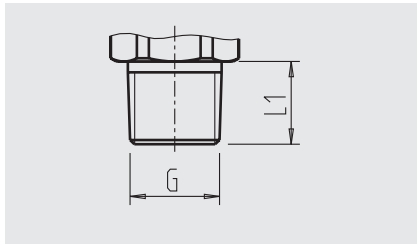
G	L1
G 1/4 B EN 837	13



G	L1
G 1/8 A DIN 3852-E	9.5
G 1/4 A DIN 3852-E	14

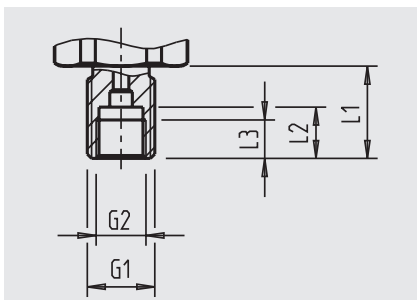


G	L1	L2	L3
G 1/8	16	10	7.5



G	L1
R 1/4	13
1/4 NPT	13
1/8 NPT	10
1/4 PT	13

Process connection specifically for the compressor industry



G1	G2	L1	L2	L3
G 1/4 B	G 1/8	18	10	7.5

For information on tapped holes and welding sockets, see Technical information IN 00.14 at www.wika.com.

Ordering information

Model / Measuring range / Output signal / Accuracy at reference conditions / Electrical connection / Process connection / Approval

© 2011 WIKA Alexander Wiegand SE & Co. KG, all rights reserved.
The specifications given in this document represent the state of engineering at the time of publishing.
We reserve the right to make modifications to the specifications and materials.



WIKAL Alexander Wiegand SE & Co. KG
Alexander-Wiegand-Straße 30
63911 Klingenberg/Germany
Tel. (+49) 9372/132-0
Fax (+49) 9372/132-406
E-mail info@wika.de
www.wika.de