

Needle valve and multiport valve Models IV10 and IV11

WIKA data sheet AC 09.22

EAC

Applications

- Shut off and vent pressure measuring instruments
- For gaseous and liquid aggressive media that are not highly viscous or crystallising, also in aggressive environments
- Process industry: Oil & gas, petrochemical, chemical industries, power generation, water and wastewater

Special features

- Low-wear design due to non-rotating spindle tip in the bonnet
- Low torque and smooth operation of valve handle even at high pressure
- Enhanced safety due to blow-out proof bonnet design
- Valve seat tested for leak tightness per BS6755 / ISO 5208 leak rate A
- Customer-specific combination of valves and instruments (hook-up) on request

Description

Needle valves and multiport valves separate the process from measuring instruments such as pressure gauges, switches or transmitters. By closing this valve the instrument can be safely dismantled for services like recalibration or replacement. With the vent connection option, the instrument can be vented to the atmosphere by means of the needle valve. Already in the standard version, the multiport valve is equipped with two additional connections. These can be used either as vent connections or for the connection of additional instruments.

Through the non-rotating spindle tip, the wear of the sealing elements is reduced. This results, particularly with frequent opening and closing, in a noticeable increase in the service life.



Fig. left: Model IV10, needle valve
Fig right: Model IV11, multiport valve

Through the blow-out proof design of the valve, working safety is improved, especially in applications with high pressure loading.

As an option, WIKA offers the professional assembly of valves and pressure measuring instruments and also other accessories into a ready-to-install solution, also known as a hook-up. To ensure the performance of the complete system, an additional leak test is carried out on the hook-up.

Specifications

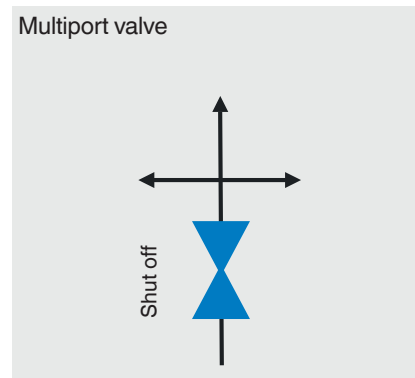
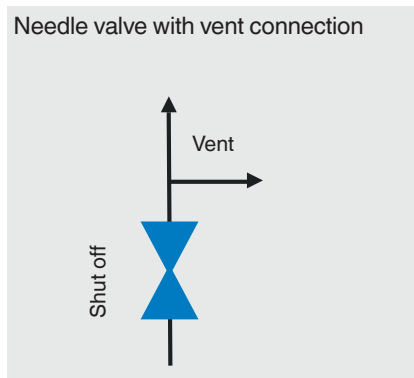
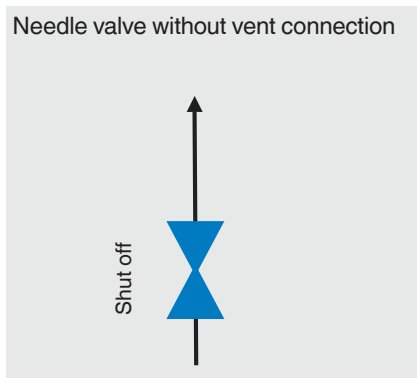
Needle valve and multiport valve, models IV10 and IV11	
Standards used	
Design	<ul style="list-style-type: none"> ■ ASME B16.34, valves - flanged, threaded and welding end ■ ASME B1.20.1, pipe threads, general purpose (inch) ■ MSS SP-99, valves for measuring instruments
Tests	<ul style="list-style-type: none"> ■ API 598, valve inspection and testing ■ ISO 5208, pressure testing of metallic valves with leakage rate A ■ MSS SP-61, pressure testing of valves
Material requirements	<ul style="list-style-type: none"> ■ NACE MR0175 / ISO 15156, use in H₂S-containing environments in oil and gas production ■ NORSOK M-630, specification for use in pipelines (Norway)
Marking	MSS SP-25, marking on valves
Process connection / instrument connection	<ul style="list-style-type: none"> ■ ½ NPT male / ½ NPT female ■ ½ NPT female / ½ NPT female ■ ¼ NPT male / ¼ NPT female ¹⁾ ■ ¼ NPT female / ¼ NPT female ¹⁾ ■ G ½ male / G ½ female ¹⁾ ■ G ½ female / G ½ female ¹⁾
Vent connection	<ul style="list-style-type: none"> ■ Without ¹⁾ ■ M8 female, plug screw is included in delivery though not pre-fitted ¹⁾ ■ ¼ NPT female, plug screw is included in delivery, though not pre-fitted ¹⁾ ■ Connection 2: ½ NPT female with plug screw ■ Connection 3: ½ NPT female with vent screw ²⁾
Test connection	<ul style="list-style-type: none"> ■ Without ■ Test flange Ø 40 mm ¹⁾
Permissible operating pressure	<ul style="list-style-type: none"> ■ ≤ 420 bar or 6,000 psi ■ ≤ 690 bar or 10,000 psi ³⁾
Bonnet design (see page 4 ff.)	<ul style="list-style-type: none"> ■ Standard version ■ Extended handle version
Bonnet options	<ul style="list-style-type: none"> ■ Without ■ Anti-tamper version without padlock ■ Anti-tamper version with padlock ■ Small T-bar handle ■ T-bar handle from stainless steel 316L
Special design feature	<ul style="list-style-type: none"> ■ Without ■ For oxygen, oil and grease free

1) Option only for model IV10, needle valve

2) Option only for model IV11, multiport valve

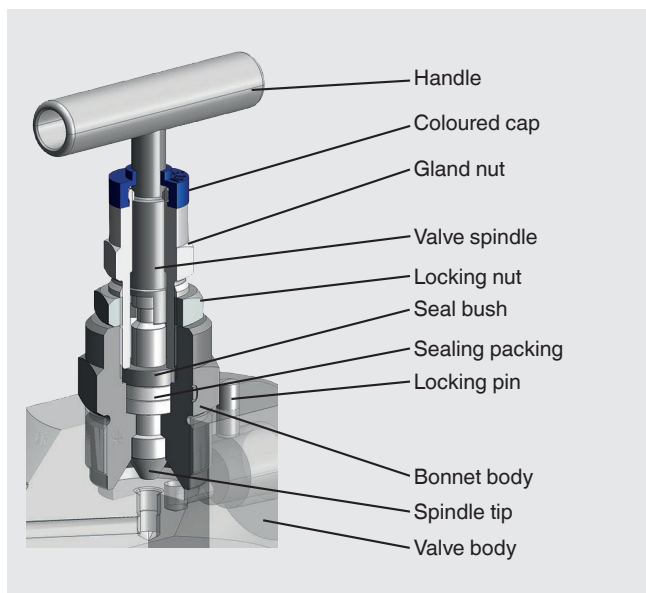
3) Only with material of the sealing packing from PTFE, see page 5

Functional diagram



Material	
Wetted parts	
Valve body	<ul style="list-style-type: none"> ■ Stainless steel 316/316L (standard) ■ Monel 400 ■ Hastelloy 276 ■ Others on request
Bonnet body	
Spindle tip	
Sealing packing	<ul style="list-style-type: none"> ■ PTFE (standard) ■ Graphite ■ RTFE Reinforced PTFE, material for optional certificate "Emission protection in accordance with TA-Luft (VDI 2440) and ISO-15848-1"
Non-wetted parts	
Gland nut, valve spindle, seal bush, locking nut, locking pin	Stainless steel 316L
Handle	<ul style="list-style-type: none"> ■ Stainless steel (standard) ■ Stainless steel 316/316L

Bonnet, standard version



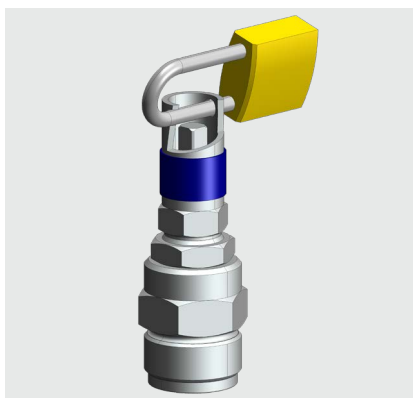
Specifications

Standards complied with	<ul style="list-style-type: none"> ■ ASME VIII div. 1 and MSS SP-99 ■ TA-Luft (VDI 2440) and ISO-15848-1 (option)
Dust cap colour code	Blue: Shut off
Spindle tip	Non-rotating, low-wear, blow-out-safe
Valve seat	Metal-to-metal, back seat design
Valve bore size	4 mm [0.16 in]

Anti-tamper version



Anti-tamper version with padlock



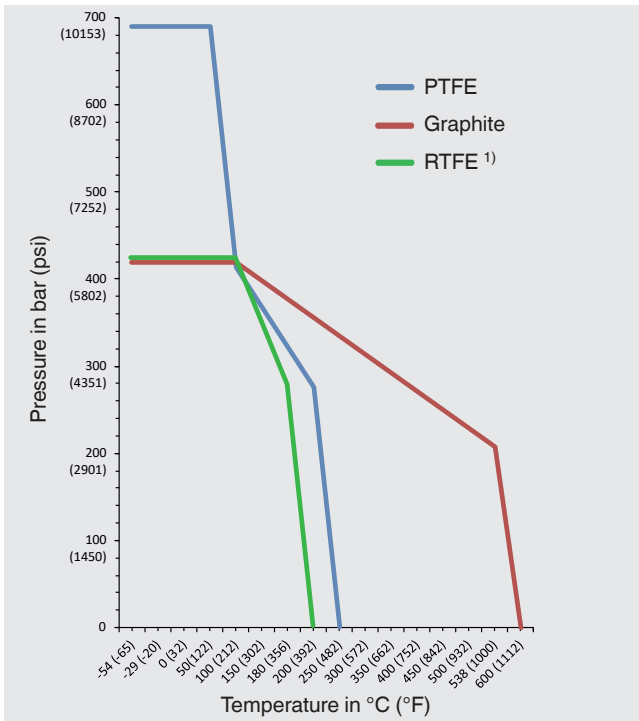
Extended handle version



Accessory: Anti-tamper key



Pressure-temperature diagram



Material of the sealing packing	Max. permissible operating pressure in bar at temperature in °C	Max. permissible operating pressure in psi at temperature in °F
PTFE	690 bar at 38 °C	10,000 psi at 100 °F
	276 bar at 204 °C	4,000 psi at 400 °F
Graphite	420 bar at 38 °C	6,000 psi at 100 °F
	209 bar at 538 °C	3,030 psi at 1.000 °F
RTFE 1)	420 bar at 38 °C	6,000 psi at 100 °F
	276 bar at 180 °C	4,000 psi at 356 °F

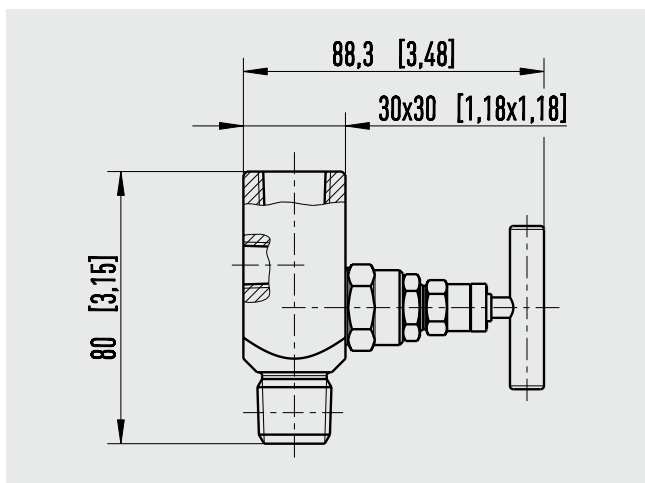
1) Reinforced PTFE, material for optional certificate "Emission protection in accordance with TA-Luft (VDI 2440) and ISO-15848-1"

The minimum design temperature is -54 °C [-65 °F].

For continuously low operating temperatures ≤ -54 °C [≤ -65 °F] a special design is needed.

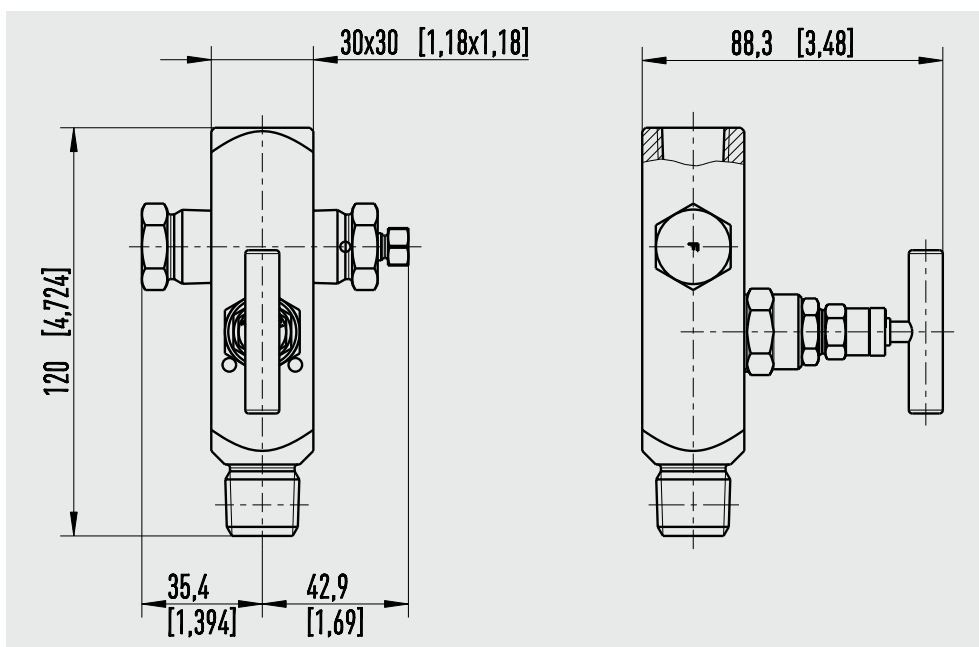
Dimensions in mm [in]

Model IV10, needle valve




Plug screw for vent connection is included in delivery, though not pre-fitted.

Model IV11, multiport valve



Plug screw and vent screw is included in delivery, though not pre-fitted.

Approvals

Logo	Description	Country
	EAC (option)	Eurasian Economic Community
-	CRN	Canada

Manufacturer's information and certificates

Logo	Description
-	PMI ¹⁾ test certificate (option) Valve body
-	Certificate for oxygen versions (option) - Oil and grease free for oxygen per ASTM G93 level C - Sealing packing and lubricants in accordance with BAM requirements - Limits of the permissible operating ranges for pressure and temperature: 420 bar at 60 °C or 6,000 psi at 140 °F 90 bar at 200 °C or 1,305 psi at 392 °F
-	Emission protection in accordance with TA-Luft (VDI 2440) and ISO-15848-1 (option) - Tightness class: AH - Endurance class: C01 - Temperature class: -29 ... +180 °C [-20 ... +356 °F]

1) Positive material identification

Certificates

- 3.1 inspection certificate per EN 10204
 - Material certificate for the valve body per NACE (MR0103/MR0175)
 - Confirmation of pressure tests per API 598 ²⁾
- 3.1 inspection certificate per EN 10204 (option)
 - Material certificate for all wetted parts per NACE (MR0103/MR0175)
 - Confirmation of pressure tests per API 598 ²⁾

2) Shell test: 15 s test duration with 1.5 times the permissible working pressure
Seat test: 15 s test duration with 1.1 times the permissible working pressure

© 02/2018 WIKA Alexander Wiegand SE & Co. KG, all rights reserved.
The specifications given in this document represent the state of engineering at the time of publishing.
We reserve the right to make modifications to the specifications and materials.

