

Differential pressure gauge with electrical output signal

Model A2G-15

WIKA data sheet PV 17.40



for further approvals
see page 5

Applications

- For monitoring the differential pressure of air and other non-inflammable and non-aggressive gases
- Differential pressure monitoring in filters and clean rooms

Special features

- Electrical output signal DC 0 ... 10 V (3-wire)
- Simple and quick mounting
- Two-part construction (measuring element and case)
- Available as a built-in or add-on version
- Maximum operating pressure 20 kPa



Differential pressure gauge with electrical output signal, model A2G-15

Description

The model A2G-15 differential pressure gauge with electrical output signal is used for monitoring the differential pressure in ventilation and air-conditioning applications. The measuring ranges cover from 0 ... 100 Pa to 0 ... 12,500 Pa. Plus/minus ranges can be fulfilled from -100 ... +100 Pa to -1,500 ... +1,500 Pa.

Electrical output signals for both measurands (DC 0 ... 10 V or 4 ... 20 mA) enable the direct connection to control systems or the building automation system.

The separated construction of the pressure measurement chamber and display area ensures that impurities from the process air do not settle on the back of the window. As a result of the 2-part construction (measuring element and mounting ring), the A2G-15 can be exceptionally easily and quickly mounted.

The differential pressure gauge is available with ingress protection IP54 and IP65.

The A2G-15 is available in two mounting variants. The built-in variant is notable for a fast and tool-free mounting. The differential pressure gauge features two G 1/8"-IG connections on the back, into which matching threaded pressure connections are screwed.

The add-on variant is mounted with three screws into an add-on case. Subsequently, the measuring capsule is placed into the case. The differential pressure gauge features two G 1/8"-IG connections on the back, into which matching threaded pressure connections are screwed. The position of each connection can be altered through 90° by rotating the add-on case.

In a special version, the A2G-15 is available as a silicone-free product.

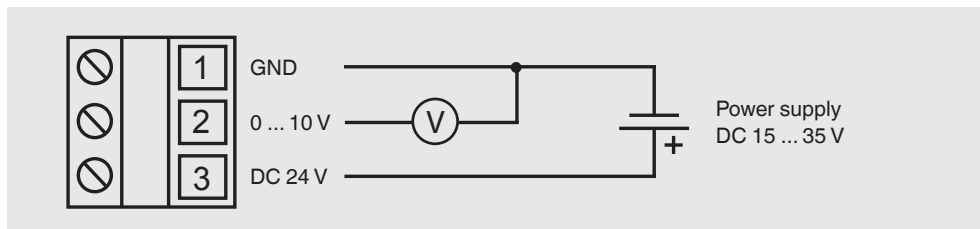
Specifications

Specifications	
Nominal size	110 mm
Measuring range	0 ... 100 Pa to 0 ... 12,500 Pa, -100 ... +100 Pa to -1,500 ... +1,500 Pa other \pm ranges on request also available in the measuring units kPa, inWC, mmWC and mbar
Accuracy class	≥ 250 Pa: class 3.0 101 ... 249 Pa: class 5.0 ≤ 100 Pa: class 10.0
Process connection	G $\frac{1}{8}$ female, for hoses with inner diameter 4 or 6 mm
Separating diaphragm	Silicone (EPDM with silicone-free version)
Movement	Contact-free transmission (SWISS MOVEMENT)
Dial	Aluminium
Pointer	Plastic
Window	Makrolon (UV stabilised)
Basic case, built-in and add-on case	Plastic, glass-fibre reinforced
Output signal	DC 0 ... 10 V, 3-wire
Power supply U_B	DC 15 ... 35 V
Electrical connection	Cable gland M12
Standard accessories	Cable gland M12, 3 mounting screws
Permissible temperatures	
■ Ambient temperature	-30 ... +80 °C
■ Medium temperature	-16 ... +50 °C
Ingress protection	IP54
Weight	255 g

Options

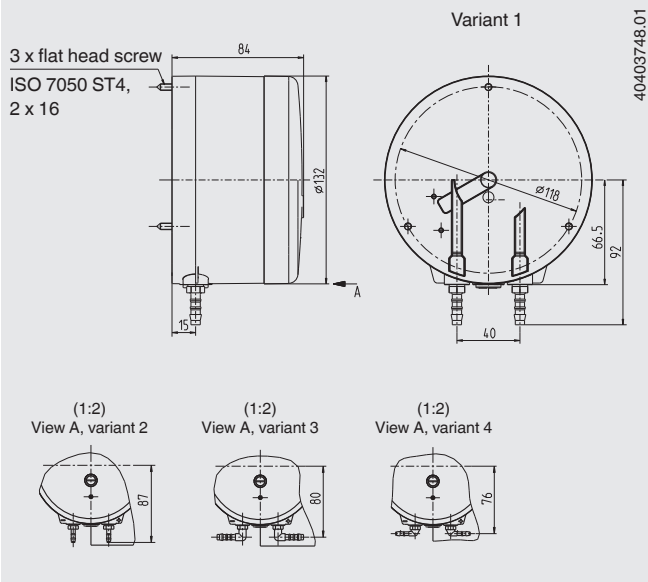
- Ingress protection IP65
- Red mark pointer
- Internationally recognised traceable calibration certificate
- Measuring hose PVC or silicone, inner diameter 4 or 6 mm, length 25 m
- Without case

Electrical connection

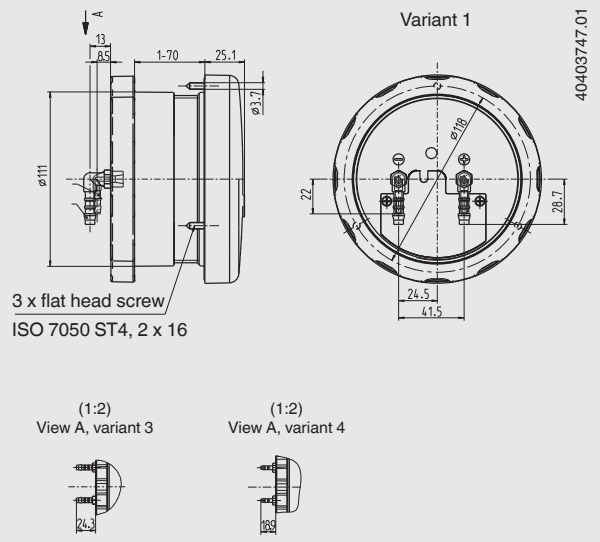


Dimensions in mm

Wall mounting, lower mount



Panel mounting, back mount



Legend

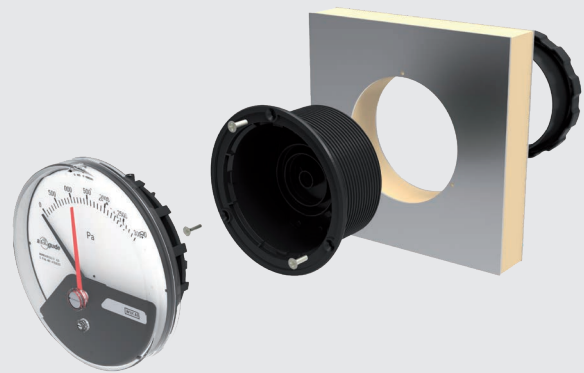
Variant 1	Angular connection, diameter 6 mm
Variant 2	Angular connection, diameter 4 mm
Variant 3	Straight connection, diameter 6 mm
Variant 4	Straight connection, diameter 4 mm

Mounting variants

Add-on version



Built-in version ¹⁾



1) Installation for wall thicknesses of 1 ... 70 mm





Accessories

Description	Order number	
Connections for static duct probes for ¼" pipes		
	Insertion length 100 mm	40232956
	Insertion length 150 mm	40232964
	Insertion length 200 mm	40232972
Combi hose connection		
	Insertion length 100 mm	40232981
	Insertion length 150 mm	40232999
	Insertion length 200 mm	40233006
Measuring hoses		
	PVC hose, inner diameter 4 mm, roll at 25 m	40217841
	PVC hose, inner diameter 6 mm, roll at 25 m	40217850
	Silicone hose, inner diameter 4 mm, roll at 25 m	40208940
	Silicone hose, inner diameter 6 mm, roll at 25 m	40208958
Duct connector for hose 4 and 6 mm		40217507
		
Weather protection		40241564

Threaded pressure connection

Description (set)	Order number
2 x Straight 4 mm	42501991
2 x Straight 6 mm	42501992
2 x Angular 4 mm	42501993
2 x Angular 6 mm	42501994

Approvals

Logo	Description	Country
	EAC Import certificate	Eurasian Economic Community
	GOST Metrology, measurement technology	Russia
	KazInMetr Metrology, measurement technology	Kazakhstan
-	MTSCHS Permission for commissioning	Kazakhstan
	UkrSEPRO Metrology, measurement technology	Ukraine

Certificates (option)

- 2.2 test report
- 3.1 inspection certificate

Approvals and certificates, see website

Scope of delivery

- Differential pressure gauge
- Case (built-in or add-on version)
- Threaded pressure connection (select in accordance with table)

Ordering information

Model / Connection location / Wall mounting or panel mounting / Inner diameter of the threaded pressure connection / Scale range / Options

© 09/2008 WIKA Alexander Wiegand SE & Co. KG, all rights reserved.
The specifications given in this document represent the state of engineering at the time of publishing.
We reserve the right to make modifications to the specifications and materials.

