

Fixture Hangers: Flexible Cushion Fixture Hanger, ECH series



A QUALITY PRODUCT

**Flameproof
Zone 1 & 2 – 22**

Application

The ECH flexible cushion fixture hangers are used for zone 1, 2 and zone 22 hazardous areas

- for suspension of H.I.D., fluorescent or incandescent lighting fixtures.
- to protect the fixture, stem and to support outlet box from damage in an accidental shock or vibration.

Specification

Body material : Marine grade copper-free aluminium alloy with polyester powder coated, RAL 7032 (Grey)

Technical Data

Hazardous Area	Gas	Dust
Zones	1 & 2	22
Conforming to ATEX	Ex II 2G	Ex II 3D
Symbol of Protection ATEX	Ex d IIB Gb	Ex tc IIB Dc IP54
Compliance with	EC Directive for "Apparatus and protective systems for use in explosive atmospheres" (2014/34/EU)	
Standards	EN 60079-0:2012+A11:2013, EN 60079-1:2014, EN 60079-31:2014	
Ambient Temperature	-20°C to +75°C	
Index of Protection	IP54	

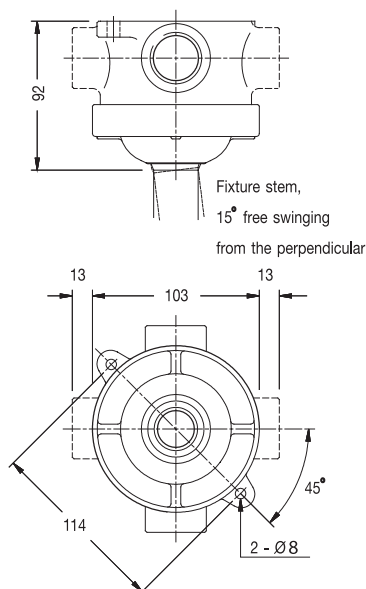
Catalogue Number and Dimension



ECH Series	Type	Entries	Fixture stem
C	2-hubs straight	1 Ø1/2" NPT	1 Ø1/2" NPT
L	2-hubs angle	2 Ø3/4" NPT	2 Ø3/4" NPT
T	3-hubs		
X	4-hubs		

Cat. No.	Diagram	Entries Thread	Fixture Stem Size	Volume (dm ³)	Approx. Weight (kgs.)
2- Hubs straight					
ECHC 11		Ø1/2" NPT	Ø1/2" NPT	0.39	0.766
ECHC 12			Ø3/4" NPT		
ECHC 21		Ø3/4" NPT	Ø1/2" NPT	0.39	0.837
ECHC 22			Ø3/4" NPT		
2- Hubs angle					
ECHL 11		Ø1/2" NPT	Ø1/2" NPT	0.39	0.766
ECHL 12			Ø3/4" NPT		
ECHL 21		Ø3/4" NPT	Ø1/2" NPT	0.39	0.837
ECHL 22			Ø3/4" NPT		
3- Hubs					
ECHT 11		Ø1/2" NPT	Ø1/2" NPT	0.40	0.885
ECHT 12			Ø3/4" NPT		
ECHT 21		Ø3/4" NPT	Ø1/2" NPT	0.40	0.887
ECHT 22			Ø3/4" NPT		
4- Hubs					
ECHX 11		Ø1/2" NPT	Ø1/2" NPT	0.40	0.898
ECHX 12			Ø3/4" NPT		
ECHX 21		Ø3/4" NPT	Ø1/2" NPT	0.40	0.868
ECHX 22			Ø3/4" NPT		

Dimension



Note : For entries by conduit, the sealing fitting and compound (flame arresting element) shall be used at the point of entries to lighting fixture.