

Fixture Hangers: Fixture Hanger, EAH series



**Flameproof
Zone 1 & 2 – 22**

Application

The EAH fixture hangers are designed for suspension or pipe pendant mounting of the lighting fixtures. They are suitable for use in zone 1, 2 and zone 22 explosive atmospheres.

Specification

Body material : Marine grade copper-free aluminium alloy with polyester powder coated, RAL 7032 (Grey)

Technical Data

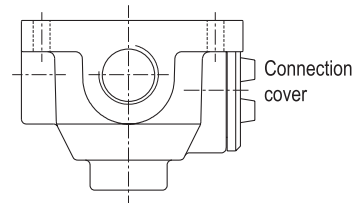
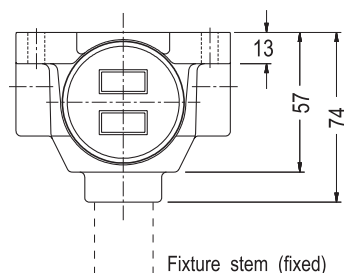
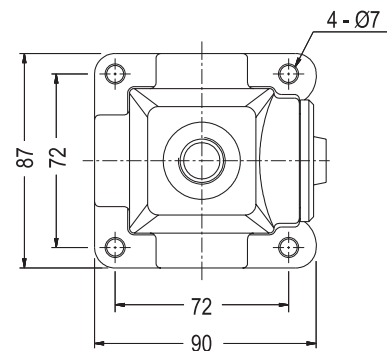
Hazardous Area	Gas	Dust
Zones	1 & 2	22
Conforming to ATEX	II 2G	II 3D
Symbol of Protection ATEX	Ex d IIB Gb	Ex tc IIIB Dc IP54
Compliance with	EC Directive for "Apparatus and protective systems for use in explosive atmospheres" (2014/34/EU)	
Standards	EN 60079-0:2012+A11:2013, EN 60079-1:2014, EN 60079-31:2014	
Ambient Temperature	-20°C to +75°C	
Index of Protection	IP54	



Catalogue Number and Dimension

EAH Series	Type	Entries	Fixture stem
C	2-hubs straight	1 Ø1/2" NPT	1 Ø1/2" NPT
T	3-hubs	2 Ø3/4" NPT	2 Ø3/4" NPT

Cat. No.	Diagram	Entries Thread	Fixture Stem Size	Volume (dm ³)	Approx. Weight (kgs.)
2- Hubs straight					
EAHC 11		Ø1/2" NPT	Ø1/2" NPT	0.10	0.708
EAHC 12		Ø3/4" NPT	Ø3/4" NPT	0.11	0.698
EAHC 21		Ø1/2" NPT	Ø1/2" NPT	0.11	0.698
EAHC 22		Ø3/4" NPT	Ø3/4" NPT	0.12	
3- Hubs					
EAHT 11		Ø1/2" NPT	Ø1/2" NPT	0.11	0.786
EAHT 12		Ø3/4" NPT	Ø3/4" NPT	0.12	0.778
EAHT 21		Ø1/2" NPT	Ø1/2" NPT	0.13	0.778
EAHT 22		Ø3/4" NPT	Ø3/4" NPT	0.13	



Note : For entries by conduit, the sealing fitting and compound (flame arresting element) shall be used at the point of entries to lighting fixture.