

Signal and Alarm: Warning Light (Signal Light), DLF1-BN, DLF1-OB, DLF1-WN Series



A QUALITY PRODUCT

Flameproof/ Increased Safety and Dust protection by enclosure

Zone 1 & 2 – 21 & 22

Specification

- Body material : Marine grade copper-free aluminium alloy with polyester powder coated, RAL 7032 (grey)
- Globe : Borosilicate glass
- Filter : Plastic (Warning Light)
- Guard, bolts : Stainless steel
- Seal gasket : Silicone
- Bracket : Hot-dip galvanized steel



Technical Data

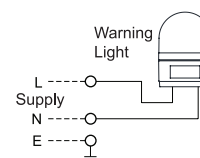
Hazardous Area	Gas	Dust
Zones	1 & 2	21 & 22
Conforming to ATEX	Ex II 2G	Ex II 2D
Symbol of Protection ATEX	Ex db eb IIC T6/ T5 Gb	Ex tb IIIC T80°C/ T100°C Db IP66
ATEX Certificate	TÜV CY 18 ATEX 0206011 X	
Compliance with	EC Directive for "Apparatus and protective systems for use in explosive atmospheres" (2014/34/EU)	
Standards	EN 60079-0:2012+A11:2013, EN 60079-1:2014, EN 60079-7:2015, EN 60079-31:2014	
Ambient Temperature	-20°C to +55°C	
Index of Protection	IP66	
Entries	2- M25x1.5 or 2- Ø3/4" NPT (1-stopping plug)	
Mounting	Ceiling or Bracket mounting (standard) (Optional mounting ; 2x M10 eye bolts, clamps for pipe)	
Connection	L, N and E ; for 1-4mm. ² cable	
Rated Voltage	220/ 230/ 240V.AC. ±5% 50/60Hz.	

Catalogue Number and Dimension

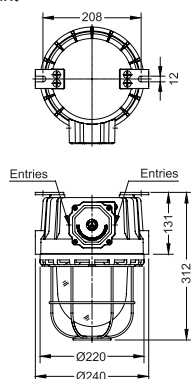
Series	Type	Lamp Watts	Voltage	Lens Colour	Accessories	Mounting	Entries
DLF1 -	■ ■	■ ■	■ ■	□	□	□	□
BN	Rotating	06 6W.	1D 12V.DC.	R Red	G Basket guard	C Ceiling	M2 M25x1.5
OB	Tower	07 7W.	2D 24V.DC.	Y Yellow		B Bracket	N2 Ø3/4" NPT
WN	Lens colour	09 9W. 10 10W. (WN type)	22 220V.AC. 50Hz. 24 110-240V.AC. 50/60Hz.	G Green B Blue (BN & WN type)			

Cat. No.	Voltage	Power Consumption	Flash Rate	Temp. Class (for zone 1 & 2)		Max. Surface Temp.* (for zone 21 & 22)	
				Ta 40 °C	Ta 55 °C	Ta 40 °C	Ta 55 °C
Warning Light (Rotating)							
DLF1-BN-1D □ - □	12V.DC.	2.4W.	120 fpm	T6	T5	T80°C	T100°C
DLF1-BN-2D □ - □	24V.DC.	3.4W.					
DLF1-BN-22 □ - □	220V.AC. 50Hz.	3.0W.					
Warning Light (Towers)							
DLF1-OB-24 - □	110-240V.AC. 50/60Hz.	4.65W.	—	T6	T5	T80°C	T100°C
Warning Light (LED lamp with lens colour)							
DLF1-WN-0622 □ - □	220V.AC. 50Hz.	6W.	—	T6	T5	T80°C	T100°C
DLF1-WN-0722 □ - □		7W.					
DLF1-WN-0922 □ - □		9W.					
DLF1-WN-1022 □ - □		10W.					

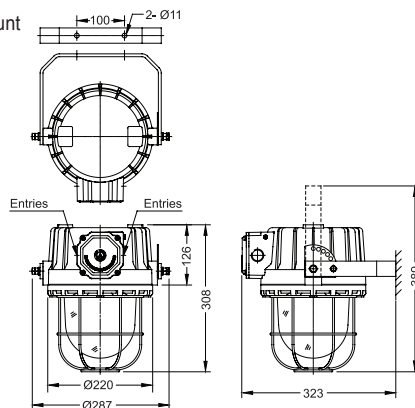
Wiring Diagram



Ceiling mount



Bracket mount



Remark * : The maximum surface temperatures are specified for dust free condition. The dust layer which may cover around the lighting fixture will cause to higher surface temperature.