

Control Station and Control Panel: Control Unit, DCU series



Flameproof and Dust protection by enclosure

Zone 1 & 2 – 21 & 22

Application

The DCU control units are used for local or remote control of machine. They can be built-in with indicating lamps, push buttons, switches, ammeters, or voltmeters. They are suitable for Zone 1, 2 and Zone 21, 22 hazardous areas.

Specification

- Body and cover : Marine grade copper-free aluminium alloy with polyester powder coated, RAL 7032 (grey)
- Sealing (O-ring) : Silicone
- Lid screws : Stainless steel
- Hinge : Stainless steel

Technical Data

Hazardous Area	Gas	Dust
Zones	1 & 2	21 & 22
Conforming to ATEX	Ex II 2G	Ex II 2D
Symbol of Protection ATEX	Ex d IIB T6 Gb	Ex tb IIIB T85°C IP66
Symbol of Protection IECEx		
Ambient Temperature	-20°C to +55°C	
Index of Protection	IP66	

ATEX Certificate	Presafe 16 ATEX 8036 X
Compliance with	EC Directive for "Apparatus and protective systems for use in explosive atmospheres" (2014/34/EU)
Standards	EN 60079-0:2012+A11:2013, EN 60079-1:2007, EN 60079-31:2014

DCU-11-TN1



DCU-1C116-TN1



IECEx Certificate	IECEx PRE 16.0025 X
Compliance with	IECEx Scheme
Standards	IEC 60079-0:2011, IEC 60079-1:2007-04, IEC 60079-31:2008

Entries	Ø3/4" to Ø1" NPT or M20x1.5 to M32x1.5
Mounting	Wall type

DCU-22-TN2



DCU-2C125-TN2



DCU-33-TN2



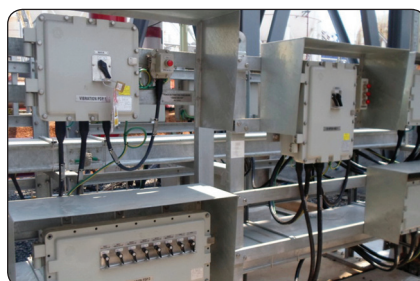
DCU-44-TN2



DCU-5C232-CN2



DCU-68-TN2



Control Station and Control Panel: Control Unit, DCU series



Flameproof and Dust protection by enclosure

Zone 1 & 2 – 21 & 22

Catalogue Number

Control Unit with Panel Mounted Operating Devices

DCU -	■	■	-	■ ■ ■			
Series	Enclosure size		Number of unit		Entries		
1 Size 1	5 Size 5	1 1-unit	5 5-units	Position	Size		
2 Size 2	6 Size 6	2 2-units	6 6-units	T Dead-end/ Top	N1 Ø1/2" NPT	M1 M20x1.5	
3 Size 3		3 3-units	7 7-units	B Dead-end/ Bottom	N2 Ø3/4" NPT	M2 M25x1.5	
4 Size 4		4 4-units	8 8-units	C Through-feed	N3 Ø1" NPT	M3 M32x1.5	



1-unit (size 1)



1x Panel Mounted Operating Devices (selection)

- PL Pilot Light, DPL series
- PB Push Button, DPB series
- EM Mushroom-Head Push Button, DMPB series
- SL Selector Switch, DSL series
- KS Key Selector Switch, DSLK series

Cat. No.			
Entries	Dead-end/ Top	Dead-end/ Bottom	Through-feed
Ø1/2" NPT	DCU-11-TN1	DCU-11-BN1	DCU-11-CN1
Ø3/4" NPT	DCU-11-TN2	DCU-11-BN2	DCU-11-CN2
M20x1.5	DCU-11-TM1	DCU-11-BM1	DCU-11-CM1
M25x1.5	DCU-11-TM2	DCU-11-BM2	DCU-11-CM2

Empty weight : 2.15 kgs.

2-units (size 2)



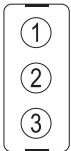
2x Panel Mounted Operating Devices (selection)

- PL Pilot Light, DPL series
- PB Push Button, DPB series
- EM Mushroom-Head Push Button, DMPB series
- SL Selector Switch, DSL series
- KS Key Selector Switch, DSLK series

Cat. No.			
Entries	Dead-end/ Top	Dead-end/ Bottom	Through-feed
Ø1/2" NPT	DCU-22-TN1	DCU-22-BN1	DCU-22-CN1
Ø3/4" NPT	DCU-22-TN2	DCU-22-BN2	DCU-22-CN2
M20x1.5	DCU-22-TM1	DCU-22-BM1	DCU-22-CM1
M25x1.5	DCU-22-TM2	DCU-22-BM2	DCU-22-CM2

Empty weight : 2.30 kgs.

3-units (size 3)



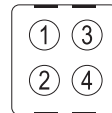
3x Panel Mounted Operating Devices (selection)

- PL Pilot Light, DPL series
- PB Push Button, DPB series
- EM Mushroom-Head Push Button, DMPB series
- SL Selector Switch, DSL series
- KS Key Selector Switch, DSLK series

Cat. No.			
Entries	Dead-end/ Top	Dead-end/ Bottom	Through-feed
Ø1/2" NPT	DCU-33-TN1	DCU-33-BN1	DCU-33-CN1
Ø3/4" NPT	DCU-33-TN2	DCU-33-BN2	DCU-33-CN2
M20x1.5	DCU-33-TM1	DCU-33-BM1	DCU-33-CM1
M25x1.5	DCU-33-TM2	DCU-33-BM2	DCU-33-CM2

Empty weight : 3.05 kgs.

4-units (size 4)



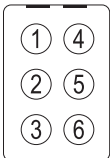
4x Panel Mounted Operating Devices (selection)

- PL Pilot Light, DPL series
- PB Push Button, DPB series
- EM Mushroom-Head Push Button, DMPB series
- SL Selector Switch, DSL series
- KS Key Selector Switch, DSLK series

Cat. No.			
Entries	Dead-end/ Top	Dead-end/ Bottom	Through-feed
(2x) Ø1/2" NPT	DCU-44-TN1	DCU-44-BN1	DCU-44-CN1
(2x) Ø3/4" NPT	DCU-44-TN2	DCU-44-BN2	DCU-44-CN2
(2x) M20x1.5	DCU-44-TM1	DCU-44-BM1	DCU-44-CM1
(2x) M25x1.5	DCU-44-TM2	DCU-44-BM2	DCU-44-CM2

Empty weight : 3.50 kgs.

6-units (size 5)



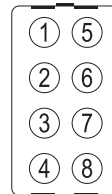
6x Panel Mounted Operating Devices (selection)

- PL Pilot Light, DPL series
- PB Push Button, DPB series
- EM Mushroom-Head Push Button, DMPB series
- SL Selector Switch, DSL series
- KS Key Selector Switch, DSLK series

Cat. No.			
Entries	Dead-end/ Top	Dead-end/ Bottom	Through-feed
(2x) Ø1/2" NPT	DCU-56-TN1	DCU-56-BN1	DCU-56-CN1
(2x) Ø3/4" NPT	DCU-56-TN2	DCU-56-BN2	DCU-56-CN2
(2x) M20x1.5	DCU-56-TM1	DCU-56-BM1	DCU-56-CM1
(2x) M25x1.5	DCU-56-TM2	DCU-56-BM2	DCU-56-CM2

Empty weight : 4.20 kgs.

8-units (size 6)



8x Panel Mounted Operating Devices (selection)

- PL Pilot Light, DPL series
- PB Push Button, DPB series
- EM Mushroom-Head Push Button, DMPB series
- SL Selector Switch, DSL series
- KS Key Selector Switch, DSLK series

Cat. No.			
Entries	Dead-end/ Top	Dead-end/ Bottom	Through-feed
(2x) Ø3/4" NPT	DCU-68-TN2	DCU-68-BN2	DCU-68-CN2
(1x) Ø1" NPT	DCU-68-TN3	DCU-68-BN3	DCU-68-CN3
(2x) M25x1.5	DCU-68-TM2	DCU-68-BM2	DCU-68-CM2
(1x) M32x1.5	DCU-68-TM3	DCU-68-BM3	DCU-68-CM3

Empty weight : 8.25 kgs.



If require control unit with terminal blocks and wiring, please contact us.

Control Station and Control Panel: Control Unit, DCU series



Flameproof and Dust protection by enclosure

Zone 1 & 2 – 21 & 22



Catalogue Number

Control Unit with Cam Operated Switch


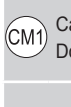
DCU -	■	C	■	■ ■	-	■ ■ ■	
Series	Enclosure size	Cam Operated Switch	Number of unit	Switch Ampere		Entries	
	1 Size 1 2 Size 2 4 Size 4 5 Size 5		1 1-unit 2 2-units	16 16A. 25 25A. 32 32A.		Position	Size
						T Dead-end/ Top B Dead-end/ Bottom C Through-feed	N1 Ø1/2" NPT M1 M20x1.5 N2 Ø3/4" NPT M2 M25x1.5 N3 Ø1" NPT M3 M32x1.5





1-unit (size 1)

	 Cam Operated Switch, 16A. (AC1) 2-steps Double poles/ 220V.AC. 50Hz., Cat. No. DCM-A216		
Cat. No.			
Entries	Dead-end/ Top	Dead-end/ Bottom	Through-feed
Ø1/2" NPT	DCU-1C116-TN1	DCU-1C116-BN1	DCU-1C116-CN1
Ø3/4" NPT	DCU-1C116-TN2	DCU-1C116-BN2	DCU-1C116-CN2
M20x1.5	DCU-1C116-TM1	DCU-1C116-BM1	DCU-1C116-CM1
M25x1.5	DCU-1C116-TM2	DCU-1C116-BM2	DCU-1C116-CM2
Empty weight : 2.15 kgs.			





1-unit (size 2)

	 Cam Operated Switch, 25A. (AC1) 2-steps Double poles/ 220V.AC. 50Hz., Cat. No. DCM-A225		
Cat. No.			
Entries	Dead-end/ Top	Dead-end/ Bottom	Through-feed
Ø1/2" NPT	DCU-2C125-TN1	DCU-2C125-BN1	DCU-2C125-CN1
Ø3/4" NPT	DCU-2C125-TN2	DCU-2C125-BN2	DCU-2C125-CN2
M20x1.5	DCU-2C125-TM1	DCU-2C125-BM1	DCU-2C125-CM1
M25x1.5	DCU-2C125-TM2	DCU-2C125-BM2	DCU-2C125-CM2
Empty weight : 2.30 kgs.			

1-unit (size 4)

	 Cam Operated Switch, 32A. (AC1) 2-steps Double poles/ 220V.AC. 50Hz., Cat. No. DCM-A232		
Cat. No.			
Entries	Dead-end/ Top	Dead-end/ Bottom	Through-feed
(2x) Ø1/2" NPT	DCU-4C132-TN1	DCU-4C132-BN1	DCU-4C132-CN1
(2x) Ø3/4" NPT	DCU-4C132-TN2	DCU-4C132-BN2	DCU-4C132-CN2
(2x) M20x1.5	DCU-4C132-TM1	DCU-4C132-BM1	DCU-4C132-CM1
(2x) M25x1.5	DCU-4C132-TM2	DCU-4C132-BM2	DCU-4C132-CM2
Empty weight : 3.50 kgs.			

2-units (size 5)

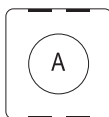
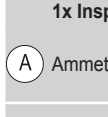
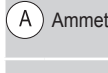
	 Cam Operated Switch, 32A. (AC1) 2-steps Double poles/ 220V.AC. 50Hz., Cat. No. DCM-A232		
	 Cam Operated Switch, 32A. (AC1) Double poles/ 220V.AC. 50Hz., Cat. No. DCM-A232		
Cat. No.			
Entries	Dead-end/ Top	Dead-end/ Bottom	Through-feed
(2x) Ø1/2" NPT	DCU-5C232-TN1	DCU-5C232-BN1	DCU-5C232-CN1
(2x) Ø3/4" NPT	DCU-5C232-TN2	DCU-5C232-BN2	DCU-5C232-CN2
(2x) M20x1.5	DCU-5C232-TM1	DCU-5C232-BM1	DCU-5C232-CM1
(2x) M25x1.5	DCU-5C232-TM2	DCU-5C232-BM2	DCU-5C232-CM2
Empty weight : 4.20 kgs.			

Control Unit with Inspection Window & Panel Mounted Operating Devices

DCU -	■	■	G	A	□	-	■ ■ ■
Series	Enclosure size	Number of unit	Inspection window	Ammeter size	Ammeter Range		Entries
	4 Size 4 5 Size 5 6 Size 6	2 2-units 4 4-units	Ø50mm. (LGCR-50-M85)	Size 48x48	30 0-30 /1A. 50 0-50 /1A. 100 0-100 /1A. 800 0-800 /1A.		Position
							Size
							T Dead-end/ Top B Dead-end/ Bottom C Through-feed
							N1 Ø1/2" NPT M1 M20x1.5 N2 Ø3/4" NPT M2 M25x1.5 N3 Ø1" NPT M3 M32x1.5



1-window (size 4)

	 1x Inspection Window, Ø50mm. (LGCR-50-M85)  Ammeter size 48x48, specify ammeter range.		
Cat. No.			
Entries	Dead-end/ Top	Dead-end/ Bottom	Through-feed
Ø1/2" NPT	DCU-4GA□-TN1	DCU-4GA□-BN1	DCU-4GA□-CN1
Ø3/4" NPT	DCU-4GA□-TN2	DCU-4GA□-BN2	DCU-4GA□-CN2
M20x1.5	DCU-4GA□-TM1	DCU-4GA□-BM1	DCU-4GA□-CM1
M25x1.5	DCU-4GA□-TM2	DCU-4GA□-BM2	DCU-4GA□-CM2
Empty weight : 3.50 kgs.			
□ - Ammeter range, see catalogue number or specify			

If require control unit with terminal blocks and wiring, please contact us.

Visit our website at www.alloyindustry.com
or contact us at +66 (0) 2434 3688 © March 2018

Alloy Industry Co., Ltd.

Control Station and Control Panel: Control Unit, DCU series



A QUALITY PRODUCT

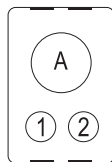
Flameproof and Dust protection by enclosure

Zone 1 & 2 – 21 & 22

Catalogue Number

Control Unit with Inspection Window & Panel Mounted Operating Devices

1-window, 2-units (size 5)



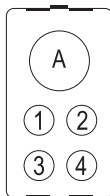
- 1x Inspection Window, Ø50mm. (LGCR-50-M85)
- (A) Ammeter size 48x48, specify ammeter range.
- 2x Panel Mounted Operating Devices (selection)
 - (PL) Pilot Light, DPL series
 - (PB) Push Button, DPB series
 - (EM) Mushroom-Head Push Button, DMPB series
 - (SL) Selector Switch, DSL series
 - (KS) Key Selector Switch, DSLK series

Cat. No.

Entries	Dead-end/ Top	Dead-end/ Bottom	Through-feed
(2x) Ø1/2" NPT	DCU-5GA□2-TN1	DCU-5GA□2-BN1	DCU-5GA□2-CN1
(2x) Ø3/4" NPT	DCU-5GA□2-TN2	DCU-5GA□2-BN2	DCU-5GA□2-CN2
(2x) M20x1.5	DCU-5GA□2-TM1	DCU-5GA□2-BM1	DCU-5GA□2-CM1
(2x) M25x1.5	DCU-5GA□2-TM2	DCU-5GA□2-BM2	DCU-5GA□2-CM2

Empty weight : 4.20 kgs.

1-window, 4-units (size 6)



- 1x Inspection Window, Ø50mm. (LGCR-50-M85)
- (A) Ammeter size 48x48, specify ammeter range.
- 4x Panel Mounted Operating Devices (selection)
 - (PL) Pilot Light, DPL series
 - (PB) Push Button, DPB series
 - (EM) Mushroom-Head Push Button, DMPB series
 - (SL) Selector Switch, DSL series
 - (KS) Key Selector Switch, DSLK series

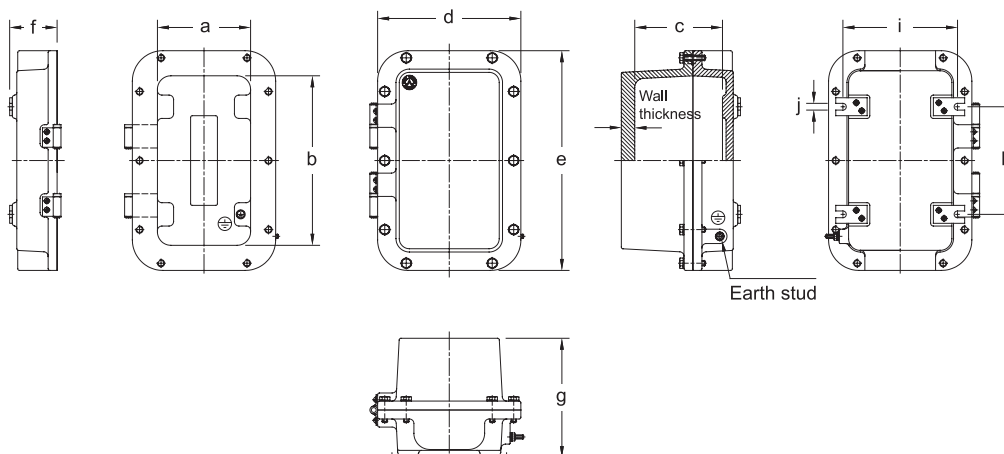
Cat. No.

Entries	Dead-end/ Top	Dead-end/ Bottom	Through-feed
(2x) Ø3/4" NPT	DCU-6GA□4-TN2	DCU-6GA□4-BN2	DCU-6GA□4-CN2
(1x) Ø1" NPT	DCU-6GA□4-TN3	DCU-6GA□4-BN3	DCU-6GA□4-CN3
(2x) M25x1.5	DCU-6GA□4-TM2	DCU-6GA□4-BM2	DCU-6GA□4-CM2
(1x) M32x1.5	DCU-6GA□4-TM3	DCU-6GA□4-BM3	DCU-6GA□4-CM3

Empty weight : 8.25 kgs.

□ - Ammeter range, see catalogue number or specify

Dimension



Empty Enclosure		Dimension in mm.										Wall thickness	Volume (dm ³)	Approx. Weight (kgs.)
Size	Cat. No.	Inside			Outside				Mounting					
		a	b	c	d	e	f	g	h	i	j			
Size 1	DCU-1 □	60	82	88	116	138	53	123	55	92	7.5	15	0.43	2.15
Size 2	DCU-2 □	60	134	88	116	190	53	123	65	92	7.5	15	0.70	2.30
Size 3	DCU-3 □	60	189	98	116	245	53	133	120	92	7.5	15	1.11	3.05
Size 4	DCU-4 □	104	134	98	160	190	53	133	65	128	7.5	15	1.36	3.50
Size 5	DCU-5 □	104	189	98	160	245	53	133	120	128	7.5	15	1.92	4.20
Size 6	DCU-6 □	120	273	116	180	333	68	153	170	154	7.5	15	3.80	8.25

□ - see catalogue number

Customized Control Unit Specification Sheet,

DCU series



A QUALITY PRODUCT

Flameproof and Dust protection by enclosure

Zone 1 & 2 – 21 & 22

Project: _____ Date: _____

Customer: _____ Owner: _____

Contact person: _____

Tel: _____ Fax: _____ E-mail: _____

Quantity (Set)	
----------------	--

Control Station Style

Size 1
 Size 2
 Size 3
 Size 4
 Size 5
 Size 6

Nameplate (NP)
 NP Letter: _____

Entries

Top	
E1	
E3	
E5	
Bottom	
E2	
E4	
E6	

Panel Mounted Operating Devices Specifications

Unit	Panel Mounted Operating Devices	Nameplate
①	<input type="checkbox"/> Pilot Light (Voltage/ Colour) _____ <input type="checkbox"/> Push Button (Contact/ Colour) _____ <input type="checkbox"/> Mushroom-head Push Button (Contact/ Colour) _____ <input type="checkbox"/> Selector Switch (Contact/ Position) _____ <input type="checkbox"/> Key Selector Switch (Contact/ Position) _____	<input type="checkbox"/> No nameplate <input type="checkbox"/> ON <input type="checkbox"/> OFF <input type="checkbox"/> RUN <input type="checkbox"/> OVERLOAD <input type="checkbox"/> TRIP <input type="checkbox"/> RESET <input type="checkbox"/> START <input type="checkbox"/> STOP <input type="checkbox"/> OFF-ON <input type="checkbox"/> MAN-OFF-AUTO <input type="checkbox"/> MAN-AUTO <input type="checkbox"/> EMER. STOP <input type="checkbox"/> Others _____
②	<input type="checkbox"/> Pilot Light (Voltage/ Colour) _____ <input type="checkbox"/> Push Button (Contact/ Colour) _____ <input type="checkbox"/> Mushroom-head Push Button (Contact/ Colour) _____ <input type="checkbox"/> Selector Switch (Contact/ Position) _____ <input type="checkbox"/> Key Selector Switch (Contact/ Position) _____	<input type="checkbox"/> No nameplate <input type="checkbox"/> ON <input type="checkbox"/> OFF <input type="checkbox"/> RUN <input type="checkbox"/> OVERLOAD <input type="checkbox"/> TRIP <input type="checkbox"/> RESET <input type="checkbox"/> START <input type="checkbox"/> STOP <input type="checkbox"/> OFF-ON <input type="checkbox"/> MAN-OFF-AUTO <input type="checkbox"/> MAN-AUTO <input type="checkbox"/> EMER. STOP <input type="checkbox"/> Others _____
③	<input type="checkbox"/> Pilot Light (Voltage/ Colour) _____ <input type="checkbox"/> Push Button (Contact/ Colour) _____ <input type="checkbox"/> Mushroom-head Push Button (Contact/ Colour) _____ <input type="checkbox"/> Selector Switch (Contact/ Position) _____ <input type="checkbox"/> Key Selector Switch (Contact/ Position) _____	<input type="checkbox"/> No nameplate <input type="checkbox"/> ON <input type="checkbox"/> OFF <input type="checkbox"/> RUN <input type="checkbox"/> OVERLOAD <input type="checkbox"/> TRIP <input type="checkbox"/> RESET <input type="checkbox"/> START <input type="checkbox"/> STOP <input type="checkbox"/> OFF-ON <input type="checkbox"/> MAN-OFF-AUTO <input type="checkbox"/> MAN-AUTO <input type="checkbox"/> EMER. STOP <input type="checkbox"/> Others _____
④	<input type="checkbox"/> Pilot Light (Voltage/ Colour) _____ <input type="checkbox"/> Push Button (Contact/ Colour) _____ <input type="checkbox"/> Mushroom-head Push Button (Contact/ Colour) _____ <input type="checkbox"/> Selector Switch (Contact/ Position) _____ <input type="checkbox"/> Key Selector Switch (Contact/ Position) _____	<input type="checkbox"/> No nameplate <input type="checkbox"/> ON <input type="checkbox"/> OFF <input type="checkbox"/> RUN <input type="checkbox"/> OVERLOAD <input type="checkbox"/> TRIP <input type="checkbox"/> RESET <input type="checkbox"/> START <input type="checkbox"/> STOP <input type="checkbox"/> OFF-ON <input type="checkbox"/> MAN-OFF-AUTO <input type="checkbox"/> MAN-AUTO <input type="checkbox"/> EMER. STOP <input type="checkbox"/> Others _____
⑤	<input type="checkbox"/> Pilot Light (Voltage/ Colour) _____ <input type="checkbox"/> Push Button (Contact/ Colour) _____ <input type="checkbox"/> Mushroom-head Push Button (Contact/ Colour) _____ <input type="checkbox"/> Selector Switch (Contact/ Position) _____ <input type="checkbox"/> Key Selector Switch (Contact/ Position) _____	<input type="checkbox"/> No nameplate <input type="checkbox"/> ON <input type="checkbox"/> OFF <input type="checkbox"/> RUN <input type="checkbox"/> OVERLOAD <input type="checkbox"/> TRIP <input type="checkbox"/> RESET <input type="checkbox"/> START <input type="checkbox"/> STOP <input type="checkbox"/> OFF-ON <input type="checkbox"/> MAN-OFF-AUTO <input type="checkbox"/> MAN-AUTO <input type="checkbox"/> EMER. STOP <input type="checkbox"/> Others _____
⑥	<input type="checkbox"/> Pilot Light (Voltage/ Colour) _____ <input type="checkbox"/> Push Button (Contact/ Colour) _____ <input type="checkbox"/> Mushroom-head Push Button (Contact/ Colour) _____ <input type="checkbox"/> Selector Switch (Contact/ Position) _____ <input type="checkbox"/> Key Selector Switch (Contact/ Position) _____	<input type="checkbox"/> No nameplate <input type="checkbox"/> ON <input type="checkbox"/> OFF <input type="checkbox"/> RUN <input type="checkbox"/> OVERLOAD <input type="checkbox"/> TRIP <input type="checkbox"/> RESET <input type="checkbox"/> START <input type="checkbox"/> STOP <input type="checkbox"/> OFF-ON <input type="checkbox"/> MAN-OFF-AUTO <input type="checkbox"/> MAN-AUTO <input type="checkbox"/> EMER. STOP <input type="checkbox"/> Others _____
⑦	<input type="checkbox"/> Pilot Light (Voltage/ Colour) _____ <input type="checkbox"/> Push Button (Contact/ Colour) _____ <input type="checkbox"/> Mushroom-head Push Button (Contact/ Colour) _____ <input type="checkbox"/> Selector Switch (Contact/ Position) _____ <input type="checkbox"/> Key Selector Switch (Contact/ Position) _____	<input type="checkbox"/> No nameplate <input type="checkbox"/> ON <input type="checkbox"/> OFF <input type="checkbox"/> RUN <input type="checkbox"/> OVERLOAD <input type="checkbox"/> TRIP <input type="checkbox"/> RESET <input type="checkbox"/> START <input type="checkbox"/> STOP <input type="checkbox"/> OFF-ON <input type="checkbox"/> MAN-OFF-AUTO <input type="checkbox"/> MAN-AUTO <input type="checkbox"/> EMER. STOP <input type="checkbox"/> Others _____
⑧	<input type="checkbox"/> Pilot Light (Voltage/ Colour) _____ <input type="checkbox"/> Push Button (Contact/ Colour) _____ <input type="checkbox"/> Mushroom-head Push Button (Contact/ Colour) _____ <input type="checkbox"/> Selector Switch (Contact/ Position) _____ <input type="checkbox"/> Key Selector Switch (Contact/ Position) _____	<input type="checkbox"/> No nameplate <input type="checkbox"/> ON <input type="checkbox"/> OFF <input type="checkbox"/> RUN <input type="checkbox"/> OVERLOAD <input type="checkbox"/> TRIP <input type="checkbox"/> RESET <input type="checkbox"/> START <input type="checkbox"/> STOP <input type="checkbox"/> OFF-ON <input type="checkbox"/> MAN-OFF-AUTO <input type="checkbox"/> MAN-AUTO <input type="checkbox"/> EMER. STOP <input type="checkbox"/> Others _____

Nameplate Specifications Material: Acrylic multipolymer (12 x 40mm.), Legend colour: Black letter, white background