

Control Station and Control Panel: Control Station (Rectangular Shape), EPB/ EPL/ EPBL/ ESL/ EKS/ EEM series



A QUALITY PRODUCT

Flameproof and Dust protection by enclosure

Zone 1 & 2 – 22

Application

The control stations are suitable for use in conjunction with magnetic contactors and relays for remote control of motors, also indicating the electrical function performed. They are suitable for zone 1, 2 and 22 areas.

Specification

- Body, cover : Marine grade copper-free aluminium alloy with polyester powder coated, RAL 7032 (Grey)
- Sealing gasket : Silicone
- Lid screw : Stainless steel

Technical Data

Hazardous Area	Gas	Dust
Zones	1 & 2	22
Conforming to ATEX	Ex d IIB T6/T5 Gb	Ex tc IIIB T80°C/ T95°C Dc IP54
Symbol of Protection ATEX	Ex d IIB T6/T5 Gb	Ex tc IIIB T80°C/ T95°C Dc IP54
Compliance with	EC Directive for "Apparatus and protective systems for use in explosive atmospheres" (2014/34/EU)	
Standards	EN 60079-0:2012+A11:2013, EN 60079-1:2014, EN 60079-31:2014	
Ambient Temperature	-20°C to +55°C	
Index of Protection	IP54	
Entries	Ø1/2" or Ø3/4" NPT	
Mounting	Wall mount	

EPB series



Page D14/45

Series	Gang	Contact per unit (Momentary)	Entries		
1	Single gang	A 1NO B 1NC	Dead-end/ Top	Dead-end/ Bottom	Through-feed
2	Two gangs	C 1NO-1NC D 2NO	TN1 Ø1/2" NPT	BN1 Ø1/2" NPT	CN1 Ø1/2" NPT
3	Three gangs	E 2NC	TN2 Ø3/4" NPT	BN2 Ø3/4" NPT	CN2 Ø3/4" NPT

EPL series



Page D16/45

Series	Gang	Voltage	Lens colour	Entries		
1	Single gang	2D 24V.DC	G Green	Dead-end/ Top	Dead-end/ Bottom	Through-feed
2	Two gangs	12 120V.AC	R Red	TN1 Ø1/2" NPT	BN1 Ø1/2" NPT	CN1 Ø1/2" NPT
3	Three gangs	22 220-230V.AC	Y Yellow B Blue C Clear	TN2 Ø3/4" NPT	BN2 Ø3/4" NPT	CN2 Ø3/4" NPT

EPBL series



Page D18/45

Series	Gang	Contact	Voltage	Lens colour	Entries		
1	Single gang	A 1NO	2D 24V.DC	G Green	Dead-end/ Top	Dead-end/ Bottom	Through-feed
2	Two gangs	B 1NC C 1NO-1NC D 2NO E 2NC	12 120V.AC 22 220-230V.AC	R Red Y Yellow B Blue C Clear	TN1 Ø1/2" NPT	BN1 Ø1/2" NPT	CN1 Ø1/2" NPT
					TN2 Ø3/4" NPT	BN2 Ø3/4" NPT	CN2 Ø3/4" NPT

EEM series



Page D19/45

Series	Gang	Contact	Function	Entries		
1	Single gang	B 1NC C 1NO-1NC E 2NC	P Push-pull L Push-lock Turn to release K Push-lock Key to release	Dead-end/ Top	Dead-end/ Bottom	Through-feed
				TN1 Ø1/2" NPT	BN1 Ø1/2" NPT	CN1 Ø1/2" NPT
				TN2 Ø3/4" NPT	BN2 Ø3/4" NPT	CN2 Ø3/4" NPT

ESL/ EKS series



Page D20,21/45

Series	Gang	Position	Contact	Function	Entries		
ESL Selector Switch EKS Key Selector Switch	1 Single gang	2 2-positions 3 3-positions	A 1NO B 1NC C 1NO-1NC D 2NO F 4NO	- Stay put S Spring return	Dead-end/ Top	Dead-end/ Bottom	Through-feed
					TN1 Ø1/2" NPT	BN1 Ø1/2" NPT	CN1 Ø1/2" NPT
					TN2 Ø3/4" NPT	BN2 Ø3/4" NPT	CN2 Ø3/4" NPT

Control Station and Control Panel: Push Button, EPB series



Flameproof and Dust protection by enclosure
Zone 1 & 2 – 22

Catalogue Number and Dimension

Single gang, 1PB (without wiring)

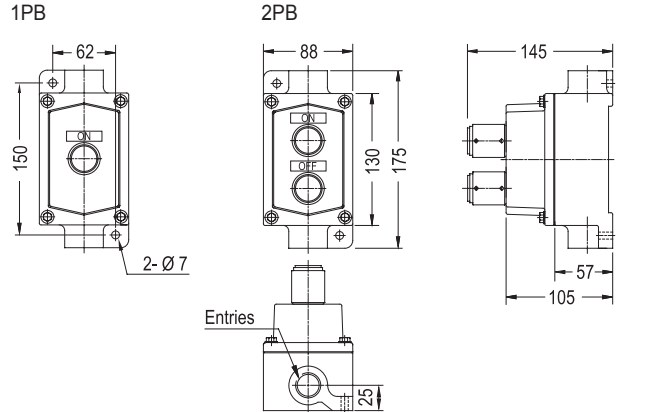
	Push button, 1NO (momentary)		
	Cat. No.		
	Dead-end/ Top	Dead-end/ Bottom	Through-feed
Entries	Ø1/2" NPT	EPB1-A-TN1	EPB1-A-BN1
	Ø3/4" NPT	EPB1-A-TN2	EPB1-A-BN2
Nameplate marking	START or ON or Specify		
Volume (dm ³)	0.32		
Approx. weight (kgs.)	1.95		

	Push button, 1NC (momentary)		
	Cat. No.		
	Dead-end/ Top	Dead-end/ Bottom	Through-feed
Entries	Ø1/2" NPT	EPB1-B-TN1	EPB1-B-BN1
	Ø3/4" NPT	EPB1-B-TN2	EPB1-B-BN2
Nameplate marking	STOP or OFF or Specify		
Volume (dm ³)	0.32		
Approx. weight (kgs.)	1.95		

	Push button, 1NO-1NC (momentary)		
	Cat. No.		
	Dead-end/ Top	Dead-end/ Bottom	Through-feed
Entries	Ø1/2" NPT	EPB1-C-TN1	EPB1-C-BN1
	Ø3/4" NPT	EPB1-C-TN2	EPB1-C-BN2
Nameplate marking	Specify		
Volume (dm ³)	0.32		
Approx. weight (kgs.)	1.95		

	Push button, 2NO (momentary)		
	Cat. No.		
	Dead-end/ Top	Dead-end/ Bottom	Through-feed
Entries	Ø1/2" NPT	EPB1-D-TN1	EPB1-D-BN1
	Ø3/4" NPT	EPB1-D-TN2	EPB1-D-BN2
Nameplate marking	START or ON or Specify		
Volume (dm ³)	0.32		
Approx. weight (kgs.)	1.95		

	Push button, 2NC (momentary)		
	Cat. No.		
	Dead-end/ Top	Dead-end/ Bottom	Through-feed
Entries	Ø1/2" NPT	EPB1-E-TN1	EPB1-E-BN1
	Ø3/4" NPT	EPB1-E-TN2	EPB1-E-BN2
Nameplate marking	STOP or OFF or Specify		
Volume (dm ³)	0.32		
Approx. weight (kgs.)	1.95		



Single gang, 2PB (without wiring)

	Push button, 1NO (momentary) Push button, 1NC (momentary)		
	Cat. No.		
	Dead-end/ Top	Dead-end/ Bottom	Through-feed
Entries	Ø1/2" NPT	EPB1-AB-TN1	EPB1-AB-BN1
	Ø3/4" NPT	EPB1-AB-TN2	EPB1-AB-BN2
Nameplate marking	START, STOP or ON, OFF or Specify		
Volume (dm ³)	0.32		
Approx. weight (kgs.)	1.95		

	Push button, 1NO-1NC (momentary) Push button, 1NO-1NC (momentary)		
	Cat. No.		
	Dead-end/ Top	Dead-end/ Bottom	Through-feed
Entries	Ø1/2" NPT	EPB1-CC-TN1	EPB1-CC-BN1
	Ø3/4" NPT	EPB1-CC-TN2	EPB1-CC-BN2
Nameplate marking	START, STOP or ON, OFF or Specify		
Volume (dm ³)	0.32		
Approx. weight (kgs.)	1.95		

	Push button, 1NO (momentary) Push button, 1NO (momentary)		
	Cat. No.		
	Dead-end/ Top	Dead-end/ Bottom	Through-feed
Entries	Ø1/2" NPT	EPB1-AA-TN1	EPB1-AA-BN1
	Ø3/4" NPT	EPB1-AA-TN2	EPB1-AA-BN2
Nameplate marking	UP, DOWN or Specify		
Volume (dm ³)	0.32		
Approx. weight (kgs.)	1.95		

	Push button, 2NO (momentary) Push button, 2NO (momentary)		
	Cat. No.		
	Dead-end/ Top	Dead-end/ Bottom	Through-feed
Entries	Ø1/2" NPT	EPB1-DD-TN1	EPB1-DD-BN1
	Ø3/4" NPT	EPB1-DD-TN2	EPB1-DD-BN2
Nameplate marking	UP, DOWN or Specify		
Volume (dm ³)	0.32		
Approx. weight (kgs.)	1.95		

D

Control Station and Control Panel: Push Button, EPB series



Flameproof and Dust protection by enclosure

Zone 1 & 2 – 22

Catalogue Number and Dimension

Single gang, 3PB (without wiring)

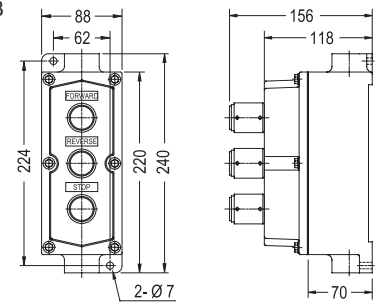
	PB1 Push button, 1NO (momentary)	Cat. No. Dead-end/ Top Dead-end/ Bottom Through-feed
	PB2 Push button, 1NO (momentary)	
	PB3 Push button, 1NC (momentary)	
Entries	$\varnothing 1/2"$ NPT EPB1-AAB-TN1 EPB1-AAB-BN1 EPB1-AAB-CN1 $\varnothing 3/4"$ NPT EPB1-AAB-TN2 EPB1-AAB-BN2 EPB1-AAB-CN2	
Nameplate marking	UP, DOWN, STOP or Specify	
Volume (dm ³)	1.18	
Approx. weight (kgs.)	1.98	

	PB1 Push button, 1NO-1NC (momentary)	Cat. No. Dead-end/ Top Dead-end/ Bottom Through-feed
	PB2 Push button, 1NO-1NC (momentary)	
	PB3 Push button, 1NO-1NC (momentary)	
Entries	$\varnothing 1/2"$ NPT EPB1-CCC-TN1 EPB1-CCC-BN1 EPB1-CCC-CN1 $\varnothing 3/4"$ NPT EPB1-CCC-TN2 EPB1-CCC-BN2 EPB1-CCC-CN2	
Nameplate marking	FORWARD, REVERSE, STOP or Specify	
Volume (dm ³)	1.18	
Approx. weight (kgs.)	1.98	

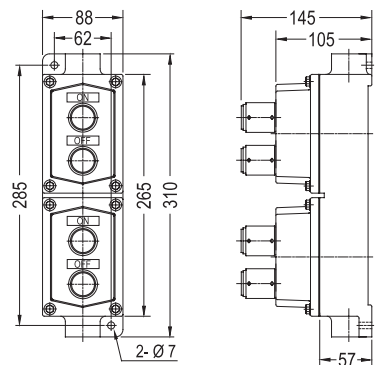
Two gangs, 4PB (without wiring)

	PB1 Push button, 1NO-1NC (momentary)	Cat. No. Dead-end/ Top Dead-end/ Bottom Through-feed
	PB2 Push button, 1NO-1NC (momentary)	
	PB3 Push button, 1NO-1NC (momentary)	
	PB4 Push button, 1NO-1NC (momentary)	
Entries	$\varnothing 3/4"$ NPT EPB2-CCCC-TN2 EPB2-CCCC-BN2 EPB2-CCCC-CN2 $\varnothing 1"$ NPT EPB2-CCCC-TN3 EPB2-CCCC-BN3 EPB2-CCCC-CN3	
Nameplate marking	START, STOP or ON, OFF or Specify	
Volume (dm ³)	0.64	
Approx. weight (kgs.)	3.33	

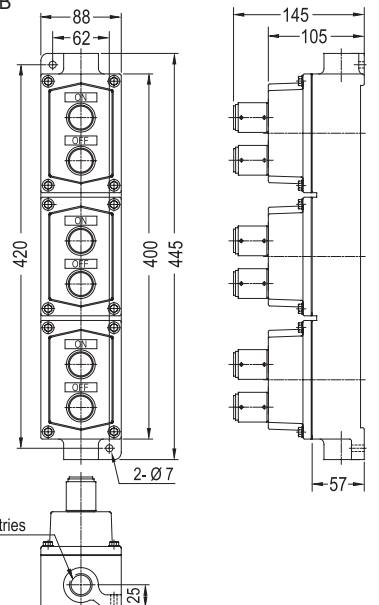
Single gang, 3PB



Two gangs, 4PB



Three gangs, 6PB



Three gangs, 6PB (without wiring)

	PB1 Push button, 1NO-1NC (momentary)	Cat. No. Dead-end/ Top Dead-end/ Bottom Through-feed
	PB2 Push button, 1NO-1NC (momentary)	
	PB3 Push button, 1NO-1NC (momentary)	
	PB4 Push button, 1NO-1NC (momentary)	
	PB5 Push button, 1NO-1NC (momentary)	
	PB6 Push button, 1NO-1NC (momentary)	
Entries	$\varnothing 3/4"$ NPT EPB3-CCCCC-TN2 EPB3-CCCCC-BN2 EPB3-CCCCC-CN2 $\varnothing 1"$ NPT EPB3-CCCCC-TN3 EPB3-CCCCC-BN3 EPB3-CCCCC-CN3	
Nameplate marking	START, STOP or ON, OFF or Specify	
Volume (dm ³)	0.96	
Approx. weight (kgs.)	4.93	