

# XNP-6371RH

2M H.265 37x IR PTZ Camera

Network



FC | | CE | EAC

## Key Features

- Max. 2megapixel (1920 x 1080) resolution
- 6~ 222mm (Optical 37x) lens
- 0.01Lux@F1.5 (Color), 0Lux (B/W, IR LED on)
- Max. IR viewable length : 350m (1,148ft)
- Day & Night (ICR), WDR (150dB)
- DIS & Shock detection with built-in gyro sensor
- Intelligent Video / Audio Analytics, Defog
- H.265, H.264, MJPEG codec support
- Multiple streaming, WiseStream II support
- SD / SDHC / SDXC memory 1 slot (Up to 256 GB)
- IP66, IK10

## Compatible Accessories (Optional)



SBP-303HF



SBP-300WM1



SBP-300WM



SBP-300PM



SBP-300CM



SBP-300LM



SBP-300KM



SBP-300NB



SBP-300B

| Video                       |   |
|-----------------------------|---|
| Imaging Device              | 1/2" 2MP CMOS   |
| Resolution                  | 1920x1080, 1280x1024, 1280x960, 1280x720, 1024x768, 800x600, 800x448, 720x576, 720x480, 640x480, 640x360, 320x240 |
| Max. Framerate              | H.265/H.264: Max. 60fps/50fps(60Hz/50Hz)<br>MJPEG: Max. 30fps/25fps(60Hz/50Hz)                                    |
| Min. Illumination           | Color: 0.01Lux(F1.5, 1/30sec)<br>BW: 0Lux(IR LED)   |
| Video Out                   | CVBS: 1.0 Vp-p / 75Ω composite, 720x480(N), 720x576(P) for installation   |
| Lens                        |   |
| Focal Length (Zoom Ratio)   | 6~222mm(37x) zoom   |
| Max. Aperture Ratio         | F1.5(Wide)~F4.6(Tele)   |
| Angular Field of View       | H: 59.3°(Wide)~1.9°(Tele) / V: 35.8°(Wide)~1.1°(Tele)   |
| Min. Object Distance        | 1.5m(3.28ft)  |
| Focus Control               | Oneshot AF  |
| Lens Type                   | DC auto iris  |
| Pan / Tilt / Rotate         |   |
| Pan Range                   | 360° Endless  |
| Pan Speed                   | Preset: 400°/sec, Manual: 0.024°/sec ~ 250°/sec   |
| Tilt Range                  | 190°(-5°~185°)  |
| Tilt Speed                  | Preset: 300°/sec, Manual: 0.024°/sec ~ 250°/sec   |
| Sequence                    | Preset(300ea), Swing, Group(6ea), Trace, Tour, Auto Run, Schedule   |
| Preset Accuracy             | ±0.2°   |
| Operational                 |   |
| Camera Title                | Displayed up to 85 characters   |
| Day & Night                 | Auto(ICR)   |
| Backlight Compensation      | BLC, HLC, WDR, SDR  |
| Wide Dynamic Range          | 150dB   |
| Digital Noise Reduction     | SSNR V  |
| Digital Image Stabilization | Support(built-in gyro sensor)   |
| Defog                       | Support   |
| Motion Detection            | 8ea, rectangular zones  |
| Privacy Masking             | 24ea, rectangular zones<br>- Color: Grey/Green/Red/Blue/Black/White<br>- Mosaic                                   |
| Gain Control                | Low / Middle / High   |
| White Balance               | ATW / AWC / Manual / Indoor / Outdoor   |
| Electronic Shutter Speed    | Minimum / Maximum / Anti flicker (2~1/12,000sec)  |
| Video Rotation              | Flip, Mirror  |

|  |  |
|--|--|
| <b>Analytics</b>                         | Defocus detection, Directional detection, Fog detection, Face detection, Motion detection, Digital auto tracking, Appear/Disappear, Enter/Exit, Loitering, Tampering, Virtual line, Audio detection, Sound classification, Shock detection |
| <b>Serial Interface</b>                  | RS-485(Samsung-T, Pelco-D/P, Panasonic, Bosch, AD, GE, Vicon, Honeywell)   |
| <b>Alarm I/O</b>                         | Input 4ea / Output 2ea   |
| <b>Alarm Triggers</b>                    | Analytics, Network disconnect, Alarm input   |
| <b>Alarm Events</b>                      | File upload via FTP and e-mail<br>Notification via e-mail<br>SD/SDHC/SDXC or NAS recording at event triggers<br>Alarm output<br>PTZ Preset   |
| <b>Audio In</b>                          | Selectable(mic in/line in)<br>Supply voltage: 2.5VDC(4mA), Input impedance: 2K Ohm   |
| <b>Audio Out</b>                         | Line out, Max.output level: 1Vrms  |
| <b>IR Viewable Length</b>                | 350m(1,148.29ft)   |
| <b>Auto Tracking</b>                     | Support  |
| <b>Network</b>                           |  |
| <b>Ethernet</b>                          | RJ-45(10/100BASE-T), SFP(Optional)   |
| <b>Video Compression</b>                 | H.265/H.264: Main/Baseline/High, MJPEG   |
| <b>Audio Compression</b>                 | G.711 u-law /G.726 Selectable<br>G.726(ADPCM) 8KHz, G.711 8KHz<br>G.726: 16Kbps, 24Kbps, 32Kbps, 40Kbps<br>AAC-LC: 48Kbps at 16KHz   |
| <b>Smart Codec</b>                       | Manual(5ea area), WiseStream II  |
| <b>Bitrate Control</b>                   | H.264/H.265: CBR or VBR<br>MJPEG: VBR  |
| <b>Streaming</b>                         | Unicast(20 users) / Multicast<br>Multiple streaming (Up to 10 profiles)  |
| <b>Protocol</b>                          | IPv4, IPv6, TCP/IP, UDP/IP, RTP(UDP), RTP(TCP), RTCP,RTSP, NTP, HTTP, HTTPS, SSL/TLS, DHCP, FTP, SMTP, ICMP, IGMP, SNMPv1/v2c/v3(MIB-2), ARP, DNS, DDNS, QoS, PIM-SM, UPnP, Bonjour, SRTP, LLDP  |
| <b>Security</b>                          | HTTPS(SSL) Login Authentication<br>Digest Login Authentication<br>IP Address Filtering<br>User access log<br>802.1X Authentication(EAP-TLS, EAP-LEAP)  |
| <b>Application Programming Interface</b> | ONVIF Profile S/G/T<br>SUNAPI(HTTP API)<br>Wisenet open platform   |
| <b>General</b>                           |  |
| <b>Webpage Language</b>                  | English, Korean, Chinese, French, Italian, Spanish, German, Japanese, Russian, Swedish,, Portuguese, Czech, Polish, Turkish, Dutch, Hungarian, Greek   |
| <b>Web Viewer</b>                        | Support OS: Windows 7, 8.1, 10, Mac OS X 10.10, 10.11, 10.12<br>Recommended browser : Google Chrome<br>Supported browser: MS Explore11, MS Edge, Mozilla Firefox(Window 64bit only), Apple Safari (Mac OS X only)                          |
| <b>Edge Storage</b>                      | SD/SDHC/SDXC 1slot 256GB   |
| <b>Memory</b>                            | 1024MB RAM, 256MB Flash  |

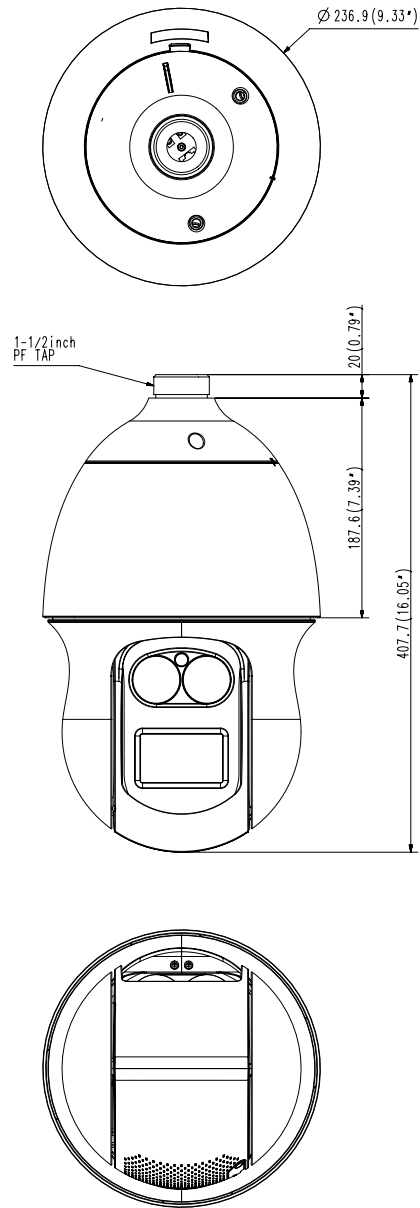
**Environmental & Electrical**

|   |  |
|---|--|
| <b>Operating Temperature / Humidity</b> | -50°C~+55°C (-122°F~+131°F) / Less than 90% RH |
| <b>Storage Temperature / Humidity</b>   | -50°C~+60°C (-122°F~+140°F) / Less than 90% RH |
| <b>Certification</b>                    | IP66, IK10                                     |
| <b>Input Voltage</b>                    | 24VAC  |
| <b>Power Consumption</b>                | 24VAC: Max 90W                                 |

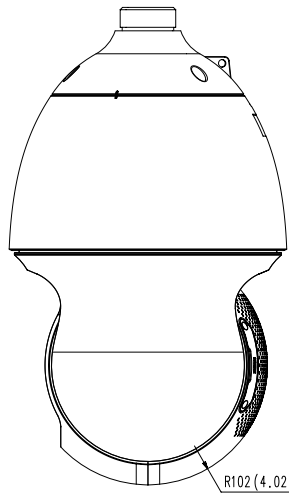
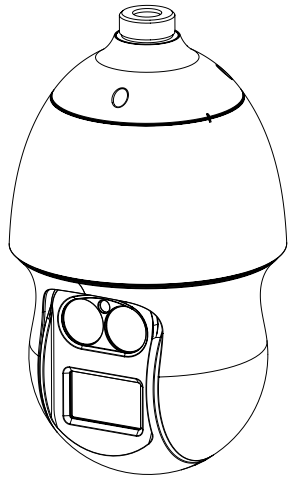
**Mechanical**

|                                    |  |
|------------------------------------|--|
| <b>Color / Material</b>            | Body: Ivory / Plastic, Head: Black / Plastic |
| <b>Product Dimensions / Weight</b> | Ø236.9x407.7mm(9.33x16.05"), 7.1Kg(15.65 lb) |

- The latest product information / specification can be found at [hanwha-security.com](http://hanwha-security.com)
- Design and specifications are subject to change without notice.
- Wisenet is the proprietary brand of Hanwha Techwin, formerly known as Samsung Techwin.

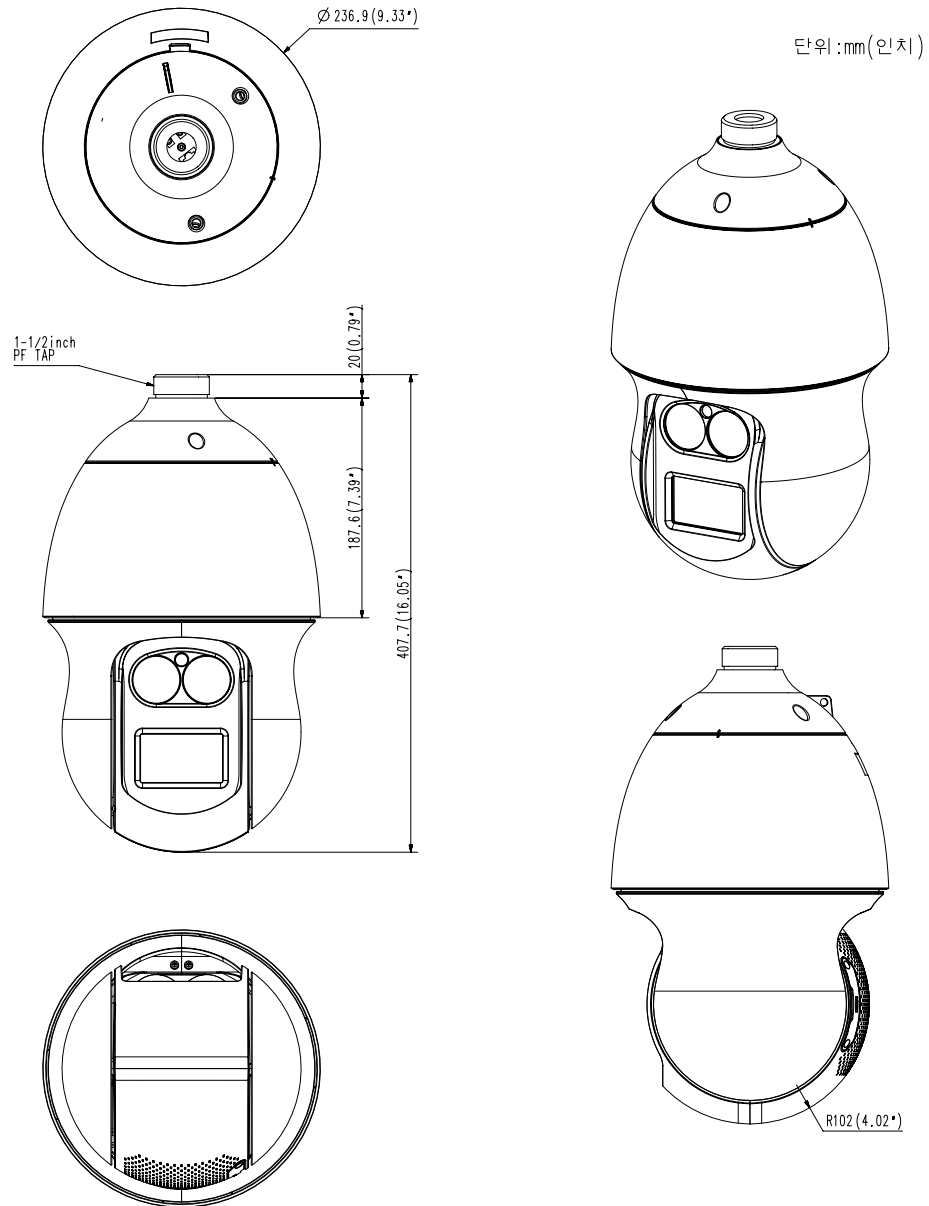


단위 :mm(인치)



This parts should not contain any substances which are specified in AH60-0033K

| NO | PART NAME                    | CODE NO. | MATERIAL | Q'TY | REMARK |
|----|------------------------------|----------|----------|------|--------|
| 1  | PNP-9200RH_Camera_Total_Assy | -        | MATERIAL | 1    | REMARK |



STANDARD TOLERANCE

| DIV      | M1    | M2   | M3   | M4   | M5   |
|----------|-------|------|------|------|------|
| 0-16     | +0.05 | +0.1 | +0.1 | +0.2 | +0.3 |
| 16-63    | +0.05 | +0.1 | +0.2 | +0.3 | +0.4 |
| 63-250   | +0.1  | +0.2 | +0.3 | +0.4 | +0.4 |
| 250-1000 | +0.2  | +0.3 | +0.4 | +0.5 | +0.6 |

A2  
CHANGE

| UNIT  | mm  | DESIGN   | CHECK    | APPROVAL | PART NAME  | PNP-9200RH_Camera_Total_Assy |
|-------|-----|----------|----------|----------|------------|------------------------------|
| SCALE | 1/1 | Design   | Check    | Approval | MODEL NAME | PNP-9200RH                   |
|       |     | 15.08.01 | 15.08.01 | 15.08.01 | CODE NO.   | -                            |

