

# QNP-6230H

2M H.265 23x PTZ Camera

Network



FC |  | CE | EAC

## Key Features

- Max. 2MP (1920 x 1080) resolution
- 4.44 ~ 102.2mm (Optical 23x) lens
- H.265, H.264, MJPEG codec support
- Multiple streaming, WiseStreamII support
- Day & Night (ICR), WDR (120dB)
- DIS with Built-in Gyro sensor
- Tampering, Motion detection
- Memory slot (Max. 256GB)
- IP66, IK10

## Compatible Accessories (Optional)



SBP-303HF



SPB-PTZ7



SBP-390WM2



SBP-300WM



SBP-300WM1



SBP-300LM



SBP-300B



SBP-300KM



SBP-300CM



SBP-300NB



SBP-300PM

| <b>Video</b>                |   |
|-----------------------------|---|
| Imaging Device              | 1/2.8" 2MP CMOS   |
| Resolution                  | 1920x1080, 1280x1024, 1280x960, 1280x720, 1024x768, 800x600, 800x448, 720x576, 720x480, 640x480, 640x360, 320x240 |
| Max. Framerate              | H.265/H.264: Max. 60fps/50fps(60Hz/50Hz)<br>MJPEG: Max. 30fps/25fps(60Hz/50Hz)                                    |
| Min. Illumination           | Color: 0.05Lux(F1.6, 1/30sec)<br>B/W: 0.005 Lux(F1.6, 1/30sec)  |
| Video Out                   | CVBS: 1.0 Vp-p / 75Ω composite, 720x480(N), 720x576(P) for installation   |
| <b>Lens</b>                 |   |
| Focal Length (Zoom Ratio)   | 4.44~102.2mm(23x) zoom  |
| Max. Aperture Ratio         | F1.6(Wide)~F3.6(Tele)   |
| Angular Field of View       | H: 61.8°(Wide)~3.08°(Tele) / V: 36.2°(Wide)~1.73°(Tele)   |
| Min. Object Distance        | Wide: 1.5m(4.92ft) / Tele: 2.0m(6.56ft)   |
| Focus Control               | Oneshot AF  |
| Lens Type                   | DC auto iris  |
| <b>Pan / Tilt / Rotate</b>  |   |
| Pan Range                   | 360° Endless  |
| Pan Speed                   | Preset: 500°/sec, Manual: 0.024°/sec~200°/sec   |
| Tilt Range                  | 210°(-15°~195°)   |
| Tilt Speed                  | Preset: 500°/sec, Manual: 0.024°/sec~200°/sec   |
| Sequence                    | Preset(300ea), Swing, Group(6ea), Trace, Tour, Auto Run, Schedule   |
| Preset Accuracy             | ±0.2°   |
| <b>Operational</b>          |   |
| Camera Title                | Displayed up to 85 characters   |
| Day & Night                 | Auto(ICR)   |
| Backlight Compensation      | BLC, HLC, WDR, SDR  |
| Wide Dynamic Range          | 120dB   |
| Digital Noise Reduction     | SSNR V  |
| Digital Image Stabilization | Support(built-in gyro sensor)   |
| Defog                       | Support   |
| Motion Detection            | 8ea, 8point polygonal zones   |
| Privacy Masking             | 24ea, polygonal zones<br>- Color: Grey/Green/Red/Blue/Black/White<br>- Mosaic                                     |
| Gain Control                | Low / Middle / High   |
| White Balance               | ATW / AWC / Manual / Indoor / Outdoor   |
| Electronic Shutter Speed    | Minimum / Maximum / Anti flicker (2~1/12,000sec)  |
| Video Rotation              | Flip, Mirror  |
| Analytics                   | Motion detection, Tampering   |

|  |   |
|--|---|
| <b>Serial Interface</b>                  | RS-485(Samsung-T, Pelco-D/P, Panasonic, Bosch, AD, GE, Vicon, Honeywell)  |
| <b>Alarm I/O</b>                         | Input 4ea / Output 2ea  |
| <b>Alarm Triggers</b>                    | Analytics, Network disconnect, Alarm input  |
| <b>Alarm Events</b>                      | File upload via FTP and e-mail<br>Notification via e-mail<br>SD/SDHC/SDXC or NAS recording at event triggers<br>Alarm output<br>PTZ Preset  |
| <b>Audio In</b>                          | Selectable(mic in/line in)<br>Supply voltage: 2.5VDC(4mA), Input impedance: 2K Ohm  |
| <b>Audio Out</b>                         | Line out, Max.output level: 1Vrms   |
| <b>Network</b>                           |   |
| <b>Ethernet</b>                          | RJ-45 (10/100BASE-T), SFP(Optional)   |
| <b>Video Compression</b>                 | H.265/H.264: Main/Baseline/High, MJPEG  |
| <b>Audio Compression</b>                 | G.711 u-law /G.726 Selectable<br>G.726(ADPCM) 8KHz, G.711 8KHz<br>G.726: 16Kbps, 24Kbps, 32Kbps, 40Kbps<br>AAC-LC: 48Kbps at 16KHz  |
| <b>Smart Codec</b>                       | Manual(5ea area), WiseStream II   |
| <b>Bitrate Control</b>                   | H.264/H.265: CBR or VBR<br>MJPEG: VBR   |
| <b>Streaming</b>                         | Unicast(10 users) / Multicast<br>Multiple streaming(Up to 10 profiles)  |
| <b>Protocol</b>                          | IPv4, IPv6, TCP/IP, UDP/IP, RTP(UDP), RTP(TCP), RTCP,RTSP, NTP, HTTP, HTTPS, SSL/TLS, DHCP, FTP, SMTP, ICMP, IGMP, SNMPv1/v2c/v3(MIB-2), ARP, DNS, DDNS, QoS, PIM-SM, UPnP, Bonjour, LLDP, SRTP                   |
| <b>Security</b>                          | HTTPS(SSL) Login Authentication<br>Digest Login Authentication<br>IP Address Filtering<br>User access log<br>802.1X Authentication(EAP-TLS, EAP-LEAP)   |
| <b>Application Programming Interface</b> | ONVIF Profile S/G/T<br>SUNAPI(HTTP API)<br>Wisenet open platform  |
| <b>General</b>                           |   |
| <b>Webpage Language</b>                  | English, Korean, Chinese, French, Italian, Spanish, German, Japanese, Russian, Swedish,, Portuguese, Czech, Polish, Turkish, Dutch, Hungarian, Greek  |
| <b>Web Viewer</b>                        | Supported OS: Windows 7, 8.1, 10, Mac OS X 10.10, 10.11, 10.12<br>Recommended Browser: Google Chrome<br>Supported Browser: MS Explore11, MS Edge, Mozilla Firefox(Window 64bit only), Apple Safari(Mac OS X only) |
| <b>Edge Storage</b>                      | Micro SD/SDHC/SDXC 1slot 256GB  |
| <b>Memory</b>                            | 1024MB RAM, 256MB Flash   |
| <b>Environmental &amp; Electrical</b>    |   |
| <b>Operating Temperature / Humidity</b>  | 24VAC: -50°C~+55°C(-58°F~+131°F) / Less than 90% RH<br>PoE+: -35°C~+55°C(-31°F~+131°F) / Less than 90% RH<br>* Start up should be done at above -30°C   |

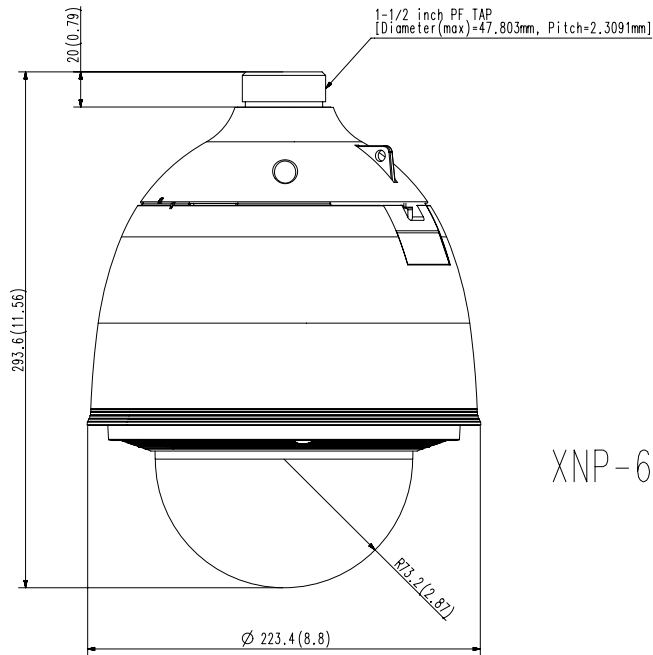
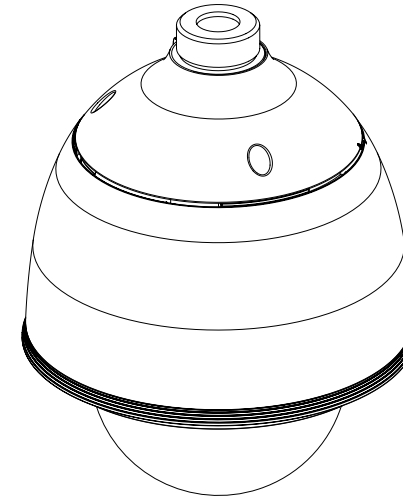
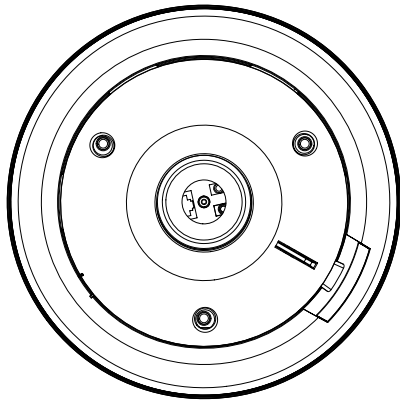
|                                |  |
|--------------------------------|--|
| Storage Temperature / Humidity | -30°C~+60°C(-22°F~+140°F) / Less than 90% RH |
| Certification                  | IP66, IK10                                   |
| Input Voltage                  | PoE+(IEEE802.3at, Class4), 24VAC             |
| Power Consumption              | 24VAC: Max 20W                               |

### Mechanical

|                             |   |
|-----------------------------|---|
| Color / Material            | Ivory / Plastic                           |
| Product Dimensions / Weight | Ø220x293.6mm(8.66x11.56"), 3.3Kg(7.28 lb) |

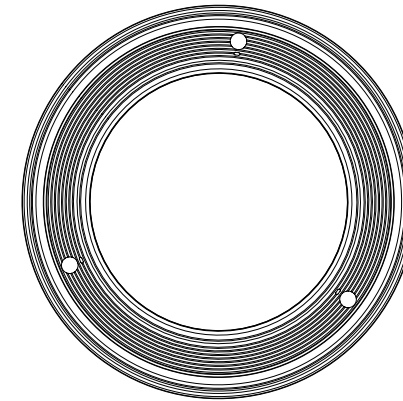
- The latest product information / specification can be found at [hanwha-security.com](http://hanwha-security.com)
- Design and specifications are subject to change without notice.
- Wisenet is the proprietary brand of Hanwha Techwin, formerly known as Samsung Techwin.

| NO | PART NAME | CODE NO. | MATERIAL | Q'TY | REMARK |
|----|-----------|----------|----------|------|--------|
| 1  | XNP-6320H | 011657   | MATERIAL | 1    | REMARK |



XNP-6320H / QNP-6230H

Unit : mm(inch)



A2  
CHANGE

| UNIT           | mm  | DESIGN   | CHECK    | APPROVAL | PART NAME  | XNP-6320H  |
|----------------|-----|----------|----------|----------|------------|------------|
|                |     | Design   | Check    | Approval | MODEL NAME | MODEL NAME |
| SCALE          | 1/1 | 15.08.01 | 15.08.01 | 15.08.01 | CODE NO.   | 011657     |
| Hanwha Techwin |     |          |          |          |            |            |