

QNO-7012R

4MP IR Bullet Camera

Network



FC|CE|EAC

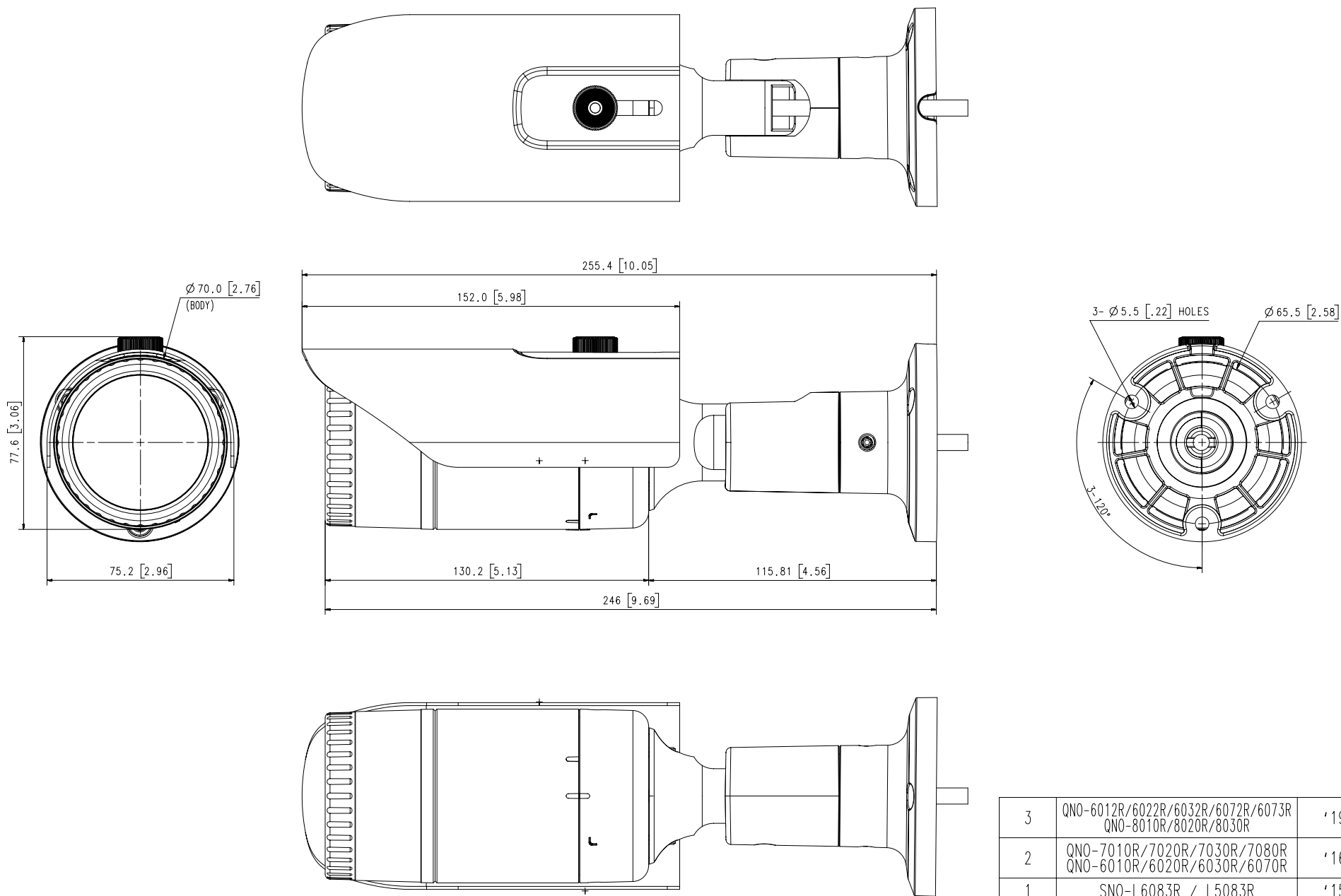
Key Features

- Maximum 4MP resolution
- Color : 0.15Lux (F2.0, 1/30sec) B/W : 0Lux (IR LED On)
- 2.8mm fixed focal
- Maximum 30fps@4MP all resolutions (H.265/H.264)
- H.265, H.264, MJPEG codec supported, Multiple streaming
- Motion detection, Tampering, Defocus detection
- Hallway view (90°/270°), LDC support
- Micro SD/SDHC/SDXC memory slot (128GB)
- IR viewable length 20m (65.62ft)
- IP66, IK10, PoE, 12VDC

| Video | |
|---------------------------|---|
| Imaging Device | 1/3" CMOS |
| Resolution | 2560 x 1440, 1920 x 1080, 1280 x 960, 1280 x 720, 800 x 600, 800 x 448, 720 x 576, 720 x 480, 640 x 480, 640 x 360, 320 x 240 |
| Max. Framerate | H.265/H.264 : Max. 30fps at 4M all resolutions, MJPEG : Max. 15fps |
| Min. Illumination | Color : 0.15Lux (F2.0, 1/30sec) B/W : 0Lux (IR LED On) |
| Video Out | CVBS : 1.0 Vpp/75Ω composite, 720x480(N), 720x576(P) for installation |
| Lens | |
| Focal Length (Zoom Ratio) | 2.8mm fixed focal |
| Max. Aperture Ratio | F2.0 |
| Angular Field of View | H : 107.5, V : 59.7, D : 122.0 |
| Focus Control | Fixed |
| Operational | |
| Camera Title | Displayed up to 85 characters |
| Day & Night | Auto(ICR) |
| Backlight Compensation | BLC, WDR, SDDR |
| Wide Dynamic Range | 120dB |
| Digital Noise Reduction | SSNR |
| Motion Detection | 4ea, polygonal zones |
| Privacy Masking | 6ea, rectangular zones |
| Gain Control | Low / Middle / High |
| White Balance | ATW / AWC / Manual / Indoor / Outdoor |
| LDC | Support |
| Electronic Shutter Speed | Minimum/Maximum/Anti flicker (1/5~1/12,000sec) |
| Video Rotation | Flip, Mirror, Hallway view(90/270) |
| Analytics | Defocus detection, Directional detection, Motion detection, Enter/Exit, Tampering, Virtual line |
| Alarm I/O | Input 1ea / Output 1ea |
| Alarm Triggers | Analytics, Network disconnect, Alarm input |
| Alarm Events | File upload via FTP and e-mail, Notification via e-mail, SD/SDHC/SDXC or NAS recording at event triggers, Alarm output, Handover |
| Audio In | Selectable(mic in/line in) Supply voltage: 2.5VDC(4mA), Input impedance: 2K Ohm |
| IR Viewable Length | 20m (65.62ft) |
| Network | |
| Ethernet | RJ-45 (10/100BASE-T) |
| Video Compression | H.265/H.264 : Main/High, MJPEG |

| | |
|--|--|
| Audio Compression | G.711 u-law / G.726 Selectable G.726(ADPCM) 8KHz, G.711 8KHz, G.726 16Kbps, 24Kbps, 32Kbps, 40Kbps |
| Smart Codec | Manual (5ea area), WiseStream II |
| Bitrate Control | H.264/H.265 : CBR or VBR MJPEG : VBR |
| Streaming | Unicast (6 users) / Multicast Multiple streaming (Up to 3 profiles) |
| Protocol | IPv4, IPv6, TCP/IP, UDP/IP, RTP(UDP), RTP(TCP), RTCP, RTSP, NTP, HTTP, HTTPS, SSL/TLS, DHCP, PPPoE, FTP, SMTP, ICMP, IGMP, SNMPv1/v2c/v3(MIB-2), ARP, DNS, DDNS, QoS, PIM-SM, UPnP, Bonjour, LLDP |
| Security | HTTPS(SSL) Login Authentication Digest Login Authentication IP Address Filtering User access Log 802.1X Authentication |
| Application Programming Interface | ONVIF Profile S/G/T, SUNAPI (HTTP API) |
| General | |
| Webpage Language | English, Korean, Chinese, French, Italian, Spanish, German, Japanese, Russian, Portuguese, Czech, Polish, Turkish, Dutch, Hungarian, Greek |
| Edge Storage | Micro SD/SDHC/SDXC 1slot 128GB |
| Memory | 512MB RAM, 256MB Flash |
| Environmental & Electrical | |
| Operating Temperature / Humidity | -40C~+55C (-40F~+131F) / Less than 95% RH * Start up should be done at -30C or above |
| Storage Temperature / Humidity | -40C~+60C (-40F~+140F) / Less than 95% RH |
| Certification | IP66, IK10 |
| Input Voltage | PoE(IEEE802.3af, Class3), 12VDC |
| Power Consumption | PoE: Max 10.7W, typical 8W 12VDC: Max 9.1W, typical 6.8W |
| Mechanical | |
| Color / Material | Dark grey / Aluminum |
| Product Dimensions / Weight | Ø70.0 x 246.0mm (Ø2.76 x 9.69"), 700g (1.543 lb) |
| Compatible Conduit hole / Gangbox | Single, Double, 4"Octagon |
| DORI | |
| Detect (25PPM/ 8PPF) | 37.5m(123.17ft) |
| Observe (63PPM/ 19PPF) | 15.0m(49.27ft) |
| Recognize (125PPM/ 38PPF) | 7.5m(24.63ft) |
| Identify (250PPM/ 76PPF) | 3.8m(12.32ft) |

- The latest product information / specification can be found at hanwha-security.com
- Design and specifications are subject to change without notice.
- Wisenet is the proprietary brand of Hanwha Techwin, formerly known as Samsung Techwin.



© Hanwha Techwin Co.,Ltd. All rights reserved.

| | | |
|-------------------------|--|----------------|
| 3 | QNO-6012R/6022R/6032R/6072R/6073R QNO-8010R/8020R/8030R | '19.04.18 |
| 2 | QNO-7010R/7020R/7030R/7080R QNO-6010R/6020R/6030R/6070R | '16.05.10 |
| 1 | SNO-L6083R / L5083R | '15.02.26 |
| No. | MODEL NAME | DATE |
| Unit:mm[inch] SCALE:1/1 | | Hanwha Techwin |